



Floor Spring + Patch Fittings + Accessories

THE ECONOMIC FLOOR SPRING SPECIALLY DESIGNED FOR DOUBLE ACTION DOORS

Special shallow design

Optional hold-open

Successfully tailored to satisfy the special requirements governing floor springs for double action doors, the DORMA BTS 65 also offers a particularly shallow design and thus all the advantages of a reduced installation depth. With two closing ranges and a choice of models, the BTS 65 can fulfil

virtually any application requirement while providing all the reliability associated with assured quality from DORMA.



Plus Points

For the trade

- Outstanding value for money
- Available with complete accessories for different applications

For the installer

- Easy installation thanks to shallow design
- Easy to adapt to individual requirements with dual valve control 130° to 0° and 130° to 20°

For the architect/specifier

- Minimum floor recess dimension
- Rugged construction for door weight up to 100kg

For the user

- High mechanical efficiency ensures easy door operation
- Optional integrated single-point hold-open at 90°

Technical Data		BTS 65	
		EN 3	EN 4
Spring strength	Size		
Standard and external doors ^{1) 2)}	≤ 950 mm	●	–
	≤ 1100 mm	–	●
Max. door weight in kg		100	100
Closing speed variable by valve adjustment		●	●
Backcheck		–	–
Delayed action		–	–
Hold-open point 90°		○	○
Weight in kg, approx.		4.0	4.0
Dimensions in mm	Length	276	276
	Width	108	108
	Height	40	40
Door closer tested to EN 1154		●	●

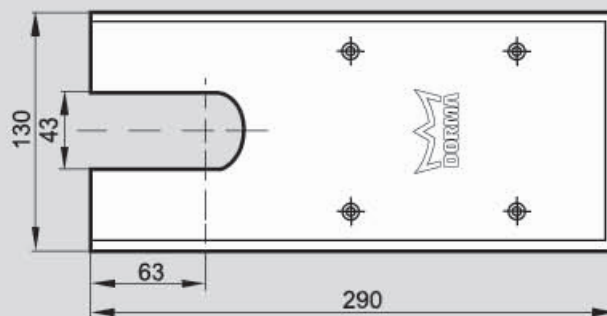
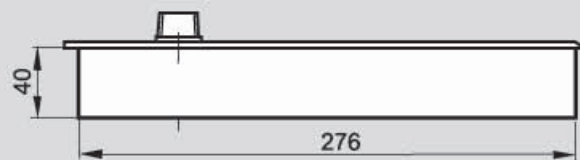
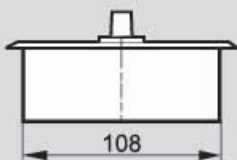
● Yes – No ○ Optional

¹⁾ For applications involving particularly high or heavy doors, and doors which have to close against wind or draught conditions, the next larger closer size or the DORMA BTS 80 should be selected.

²⁾ Max. opening 130°.

Door stop necessary for doors which can open further than 130°. (e.g. Door Stop TZ 5000).

Dimensions



Standard and optional functions

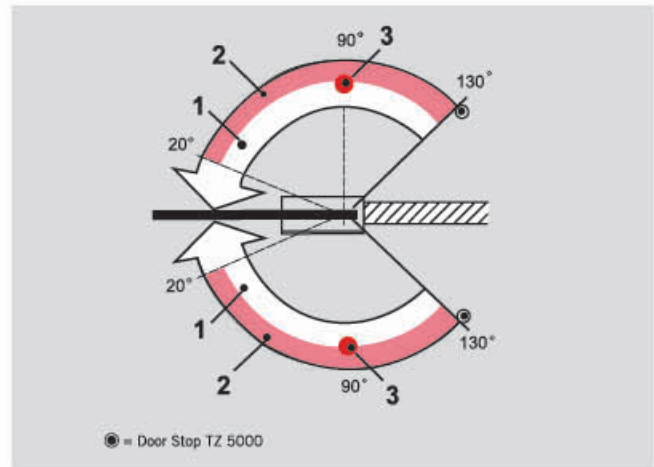
Closing ranges

The floor spring has two controlled closing ranges:
 Valve 1: 130° - 0° sweep
 Valve 2: Increases the closing speed between 130° and 20°

- 1 Infinitely variable closing speed in the range 130° - 0°
- 2 Second closing range 130° - 20°
- 3 Hold open at 90° (optional extra)

Hold-open

With optional integrated single-point hold-open at 90°.



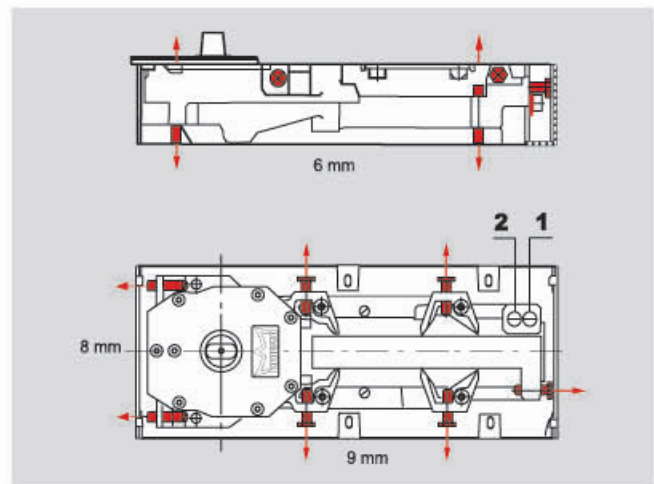
Applications and installation

The practical clamp fixing system of the DORMA BTS 65 ensures a secure and high-precision fit in the cement box.

The adjustment range in the cement box is as follows:

- Transverse 9mm
- Longitudinal 8mm
- Vertical 6mm

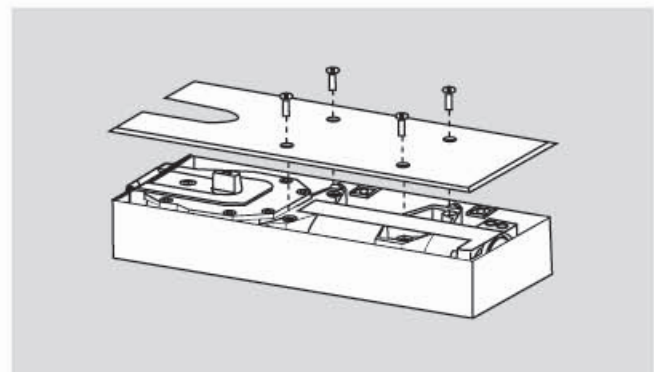
- 1 Valve for 130° - 0° closing speed adjustment
- 2 Valve for increasing the 130° - 20° closing speed



Accessories

BTS 65 floor spring with 5mm extended fixed spindle, includes cement box and stainless steel cover plate.

Optional special cover plate with extended fixing screw facilities fitting BTS 65 in existing BTS 84 cement box.



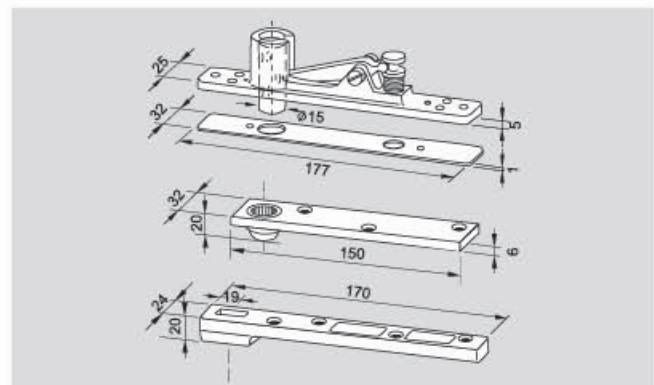
Double action accessories

Double action accessories for the following applications:

- timber doors
- steel doors
- aluminum doors

Double action accessories include:

- top centre upper part
- cover plate
- top centre lower part
- bottom strap



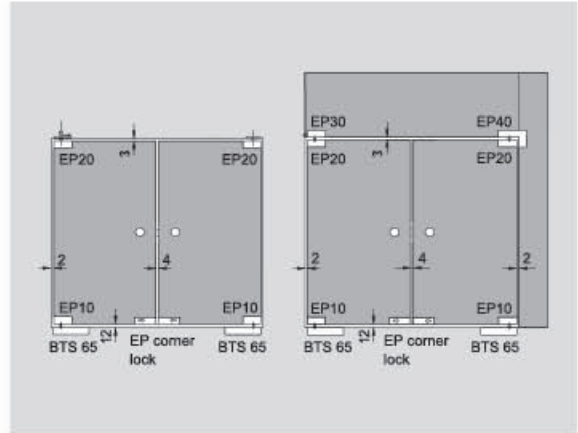
PATCH FITTINGS

Applications:

- for 12mm thick toughened glass
- for door weight up to 80 kg
- for door width up to 1100 mm
- selectable pivot centre 55 / 65 mm

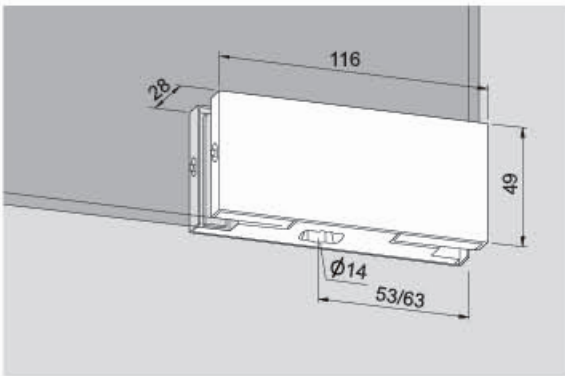
Finish

- satin stainless steel



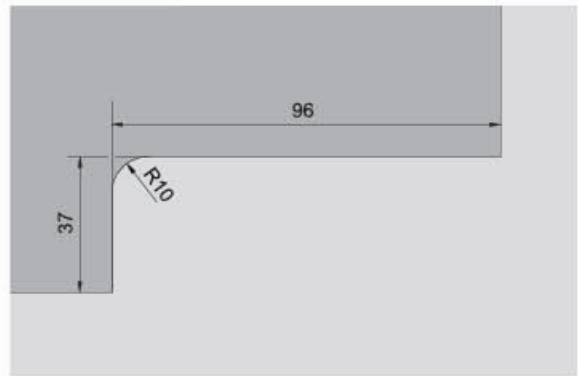
Patch fittings for centre hung doors

EP10 bottom patch 01.400

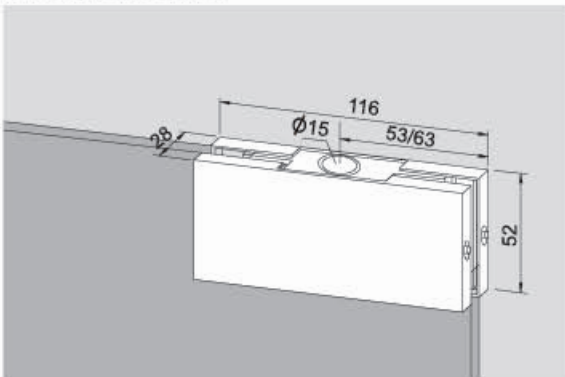


Glass preparation

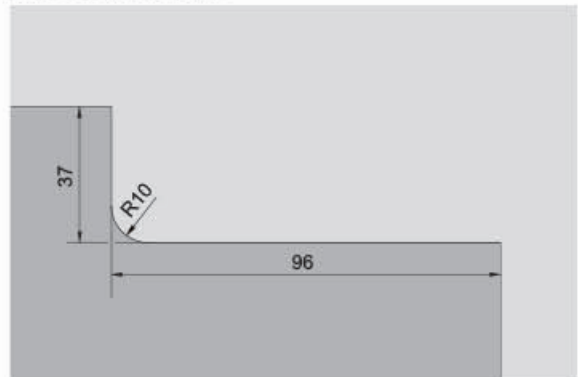
EP10 bottom patch 01.400



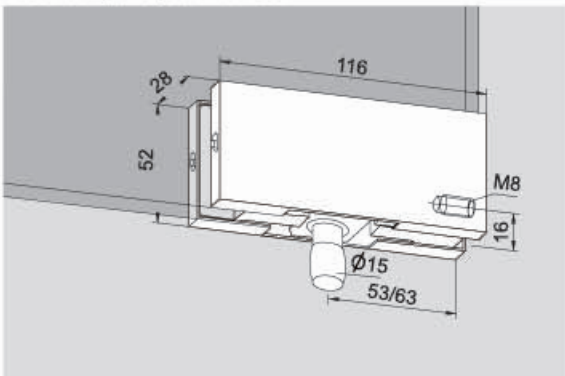
EP20 top patch 01.410



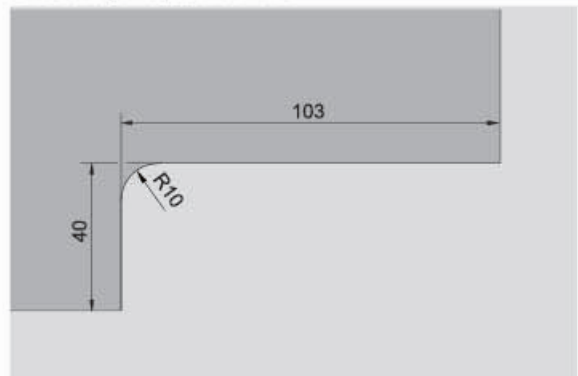
EP20 top patch 01.410



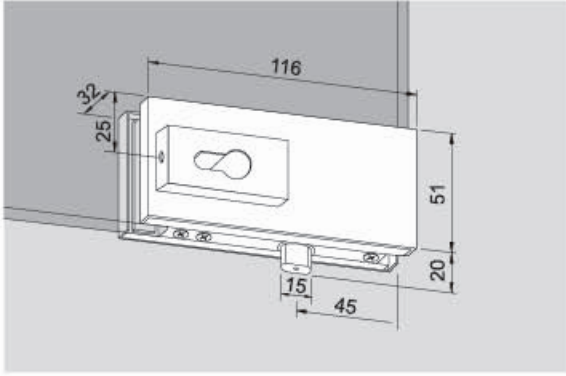
EP30 overpanel patch 01.420



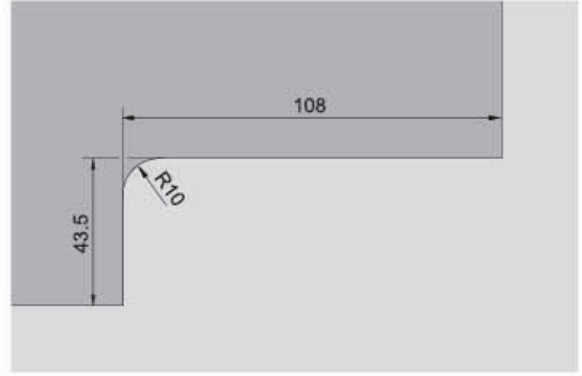
EP30 overpanel patch 01.420



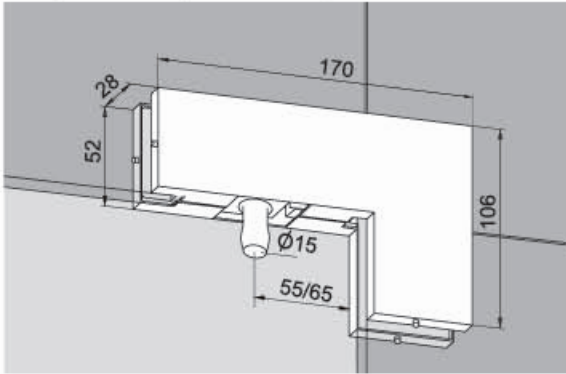
EP corner lock 01.406



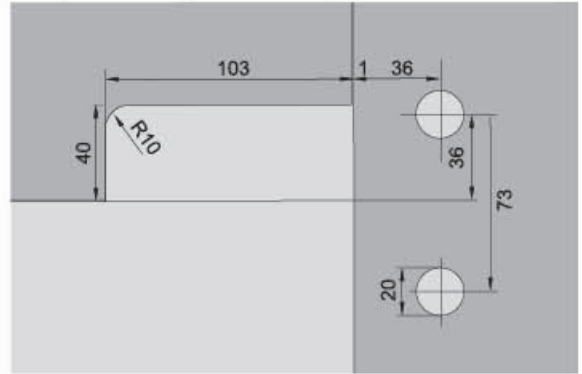
EP corner lock 01.406



E40 patch for overpanel and side panel 01.440



E40 patch for overpanel and side panel 01.440





DORMA Far East Pte. Ltd.
Singapore
31 Gul Lane
Singapore 629425
Tel : +65 6268 7633
Fax : +65 6265 7995
+65 6459 0137
www.dorma.com.sg
Co. Reg. No. 1981-03135-W

Taiwan
Tel : +886 2 2709 6611
Fax : +886 2 2709 9911

Thailand
Tel : +66 2 236 4994/5/6
Fax : +66 2 236 4997

Vietnam
Tel : +84 8 62 888 748
Fax : +84 8 62 888 701

DORMA Korea Inc.
Tel : +82 31 776 0051
Fax : +82 31 776 0054

DORMA Hueppe Asia (Malaysia)
Tel : +60 7 5985 730
Fax : +60 7 5985 729

DORMA Far East Sdn. Bhd. (Malaysia)
Tel : +603 7665 1683
Fax : +603 7665 1680

DORMA Philippines Corp.
Tel : +63 2 893 4078
Fax : +63 2 845 1108

PT DORMA Far East (Indonesia)
Tel : +62 21 2930 3762
Fax : +62 21 2930 3763

