

DORMA
Door Controls

The Lock Range





DORMA Locks.



Mortice locks for timber doors

6–11

Mortice locks for narrow-stile doors

12–15

Welcome to the safe side.

DORMA locks offer compelling benefits thanks to assured high quality and functional integrity combined with long service lifetimes. With high-grade materials, careful manufacturing and a comprehensive quality management system, these products are able to satisfy virtually all the technical

requirements ever likely to arise. Conforming to DIN 18251 and EN 12209 (in preparation), DORMA locks offer unbeatable performance, safety and security. Whichever solution you opt for, you can be sure that absolute reliability and engineering excellence will be included as standard.



CF267

All DORMA locks are CERTIFIRE approved

Mortice locks for timber doors Premier series

	Sashlock	WC sashlock	Latch	Nightlatch	Nightlatch with anti-thrust bolt	Project rollerbolts	Deadlock	
Lock No.	151F	191F	115F	116F	117	484	132F	
Features	Technical specifications to DIN 18251-1, Class 3	Technical specifications to DIN 18251-1, Class 3	Technical specifications to DIN 18251-1, Class 3	Technical specifications to DIN 18251-1, Class 3	Technical specifications to DIN 18251-1, Class 3	Technical specifications to DIN 18251-1, Class 3	Technical specifications to DIN 18251-1, Class 3	
Bolt projection (mm)	Double-throw, 20	Double-throw, 10	Double-throw, 20			Double-throw, 20	Double-throw, 20	
Backset D (mm)	55, 60	55, 60	55, 60	55, 60	55, 60	55, 60	55, 60	
Forend widths (mm)	20	20	20	20	20	20	20	
Latch and bolt position	Central	Central	Central	Central	Central	Central	Central	
Forend designs								
Square ends	●	●	●	●	●	●	●	
Radiused	●	●	●	●			●	
Forend finishes								
Satin-brushed stainless steel	●	●	●	●	●	●	●	
For Europrofile cylinders	●			●	●	●	●	
For bathroom/WC, bolt projection 10 mm		●						
Complete with strike plate and screws	●	●	●	●	●	●	●	
Page	6	6	7	7	7	8	9	

DORMA locks – unique design features combined with manufacturing quality of the highest standard



Contract series			Mortice escape locks		Mortice locks for narrow-stile doors			
Mortice sashlock & W.C. sashlock	Mortice latch & deadlock	9mm Follower lock	Emergency escape lock	Emergency escape lock	Lock with latch and bolt	Lock with roller catch and bolt	Deadlock	Latch lock
752F/790F	515F/532F	180	181	182	952.0	985.0	917.0	936.0
Technical specifications to DIN 18251-1, Class 3	Technical specifications to DIN 18251-1, Class 3	DIN 18250	DIN 18250 CE EN 179	DIN 18250 CE EN 179	DIN 18250-2, Class 3	DIN 18250-2, Class 3	DIN 18251-2, Class 3	DIN 18251-2, Class 3
Double-throw, 20	Double-throw, 20	Double-throw, 22	Double-throw, 22	Double-throw, 22	Single-throw, 20	Single-throw, 20	Single-throw, 20	
55	55	55	55	55	25, 30, 35, 40, 45	25, 30, 35, 40, 45	25, 30, 35, 40, 45	25, 30, 35, 40, 45
20	20	20	20	20	24	24	24	24
Central	Central	LH or RH	LH or RH	LH or RH	Central	Central	Central	Central
●	●				●	●	●	●
●	●	●	●	●				
●	●	●	●	●	●	●	●	●
●	●	●	●	●	●	●	●	
● (790F)								
●	●	●	●	●	●	●	●	●
10	10	11	11	11	12	13	14	15

Features

- Galvanised steel lock case, bronze bushed
- Latch bolt nickel-plated brass
- Nickel plated brass deadbolt with anti-drill steel rollers
- Bolt projection, double-throw, 20 mm
- 8 mm heavy sprung square follower
- Special bronze-bushed, self-adjusting clamp follower for rattle-free lever handles
- Maintenance-free, pre-lubricated silent-pattern latch
- Through-bolt protection sleeves for holes for standard fixings
- Technical specifications to DIN 18251-1, Class 3
- Non-handed

Backsets D (mm)

55, 60

Forend widths (mm)

20

Forend designs

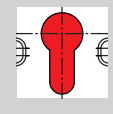
- Radiused
- Square ends

Forend finish

- Satin-brushed stainless steel

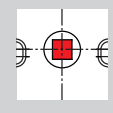
Special models

- Also available as latch locks



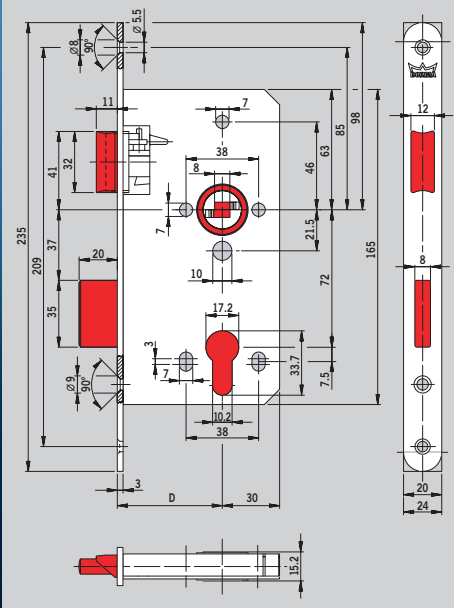
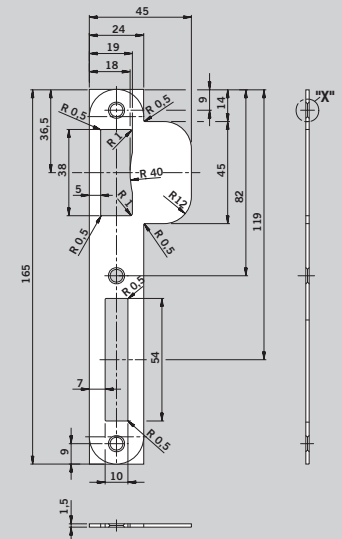
151F

For Europrofile cylinders to DIN 18252 with night latch function
Follower-to-keyway centres 72 mm



191F

For bathroom/WC, without night latch function
Bolt projection 10 mm
8 mm bathroom follower
Follower-to-keyway centres 78 mm



Features

- Galvanised steel case, bronze bushed
- Latch bolt nickel-plated brass
- 8 mm heavy sprung square follower
- Special bronzed-bushed, self-adjusting clamp follower for rattle-free lever handles
- Maintenance-free, pre-lubricated silent-pattern latch
- Through-bolt protection sleeves for holes for standard fixings
- Technical specifications to DIN 18251-1, Class 3
- Non-handed

Backsets D (mm)

55, 60

Forend widths (mm)

20

Forend designs

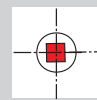
- Radiused (except 117)
- Square ends

Forend finish

- Satin-brushed stainless steel

Special designs

- Also available with night latch function, reference 116F, 117



115F

8 mm square follower



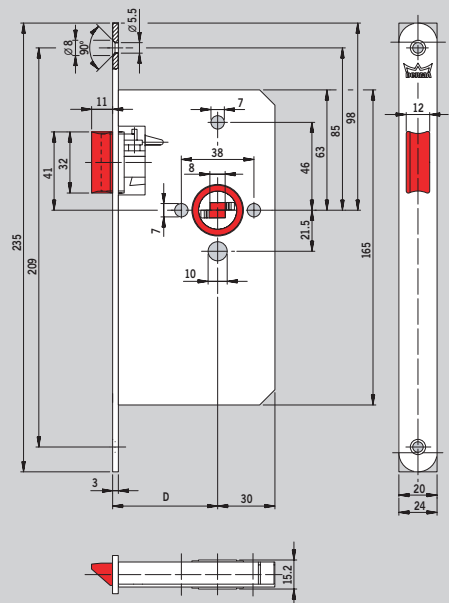
116F

Night latch



117

Night latch with anti-thrust bolt



Features

- Galvanised steel lock case
- Roller bolt of brass, adjustable
- Nickel-plated brass deadbolt with anti-drill steel rollers
- Bolt projection, double-throw, 20 mm
- Forend in centre, non-handed

Backsets D (mm)

55, 60

Forend widths (mm)

20

Forend design

- Square ends

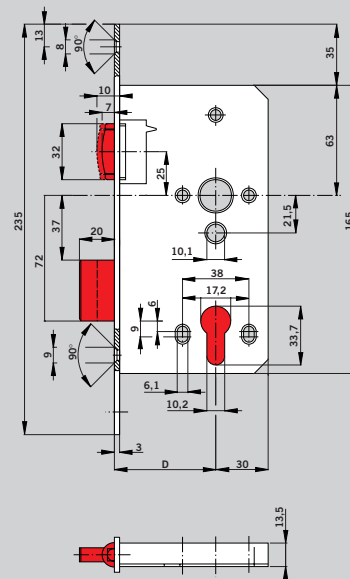
Forend finishes

- Satin-brushed stainless steel



484

For Europrofile cylinder



Features

- Galvanised steel case
- Nickel plated brass deadbolt with anti-drill steel rollers
- Bolt projection, double-throw, 20 mm
- Through-bolt protection sleeves for holes for standard fixings
- Technical specifications to DIN 18251-1, Class 3
- Non-handed

Backsets D (mm)

55, 60

Forend widths (mm)

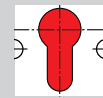
20

Forend design

- Radiused
- Square ends

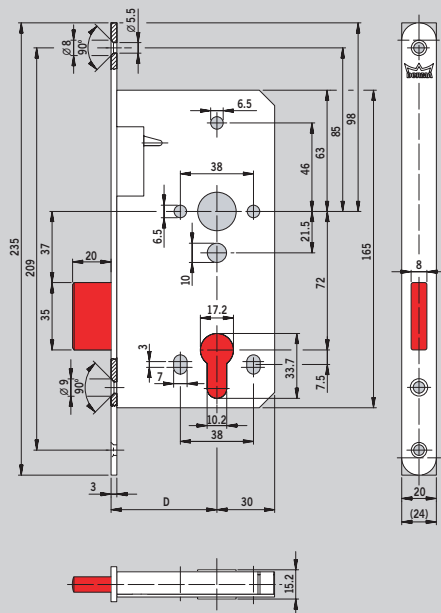
Forend finish

- Satin-brushed stainless steel

**132F**

For Europrofile cylinders to DIN 18252

Follower-to-keyway centres 72 mm



Features

- Galvanised steel lock case
- Latch bolt nickel-plated steel
- Nickel plated steel deadbolt with anti-drill steel rollers
- Bolt projection, double-throw, 20 mm
- 8 mm heavy sprung square steel follower in drawn steel bushes
- Maintenance-free, pre-lubricated silent-pattern latch
- Holes for standard fixings
- Technical specifications to DIN 18251-1, Class 3
- EN 12209 in preparation
- Non-handed

Backset (mm)

55

Forend widths (mm)

20

Forend designs

- Radiused
- Square ends

Forend finish

- Satin-brushed stainless steel



752F

Sashlock for Europrofile cylinders to DIN 18252 with night latch function
Follower-to-keyway centres 72 mm



790F

Mortice bathroom lock to DIN 18252 Mortice deadlock
8mm follower



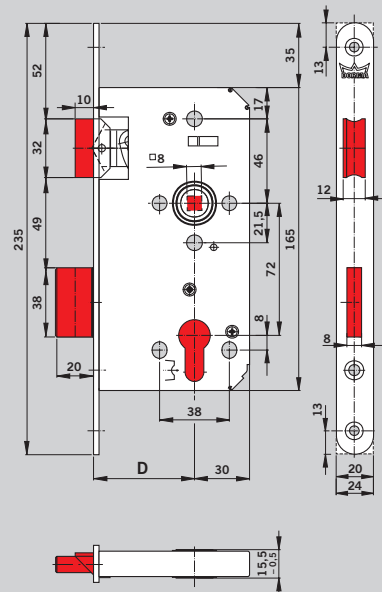
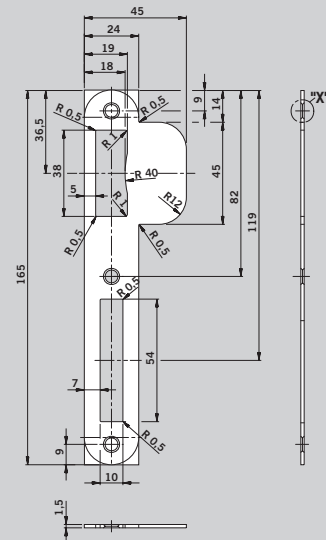
515F

Mortice latch to DIN 18252
8mm follower



532F

Mortice deadlock for Europrofile cylinders to DIN 18252



Features

- Galvanised steel lock case
- Latch and bolt of nickel-plated steel
- Bolt projection, double-throw, 22 mm
- 9 mm square follower
- Specifications to DIN 18250 for fire and smoke check doors
- EN 12209 in preparation
- EN 179

Backsets D (mm)

55

Forend widths (mm)

20

Forend designs

- Radiused
- LH or RH

Forend finish

- Satin-brushed stainless steel

181 - Internal function

(Emergency escape side)
Operation of the lever handle retracts the latch and the projected bolt

181 - External function

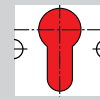
Key retracts the latchbolt and deadbolt

182 - Internal function

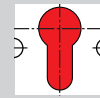
(Emergency escape side)
Operation of the lever handle retracts the latch and the projected bolt

182 - External function

Lever retracts the latchbolt,
key retracts the deadbolt

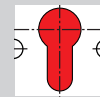
**180**

For fire and smoke check doors
9 mm square follower

**181**

Emergency escape lock
9 mm square follower

CE EN 179

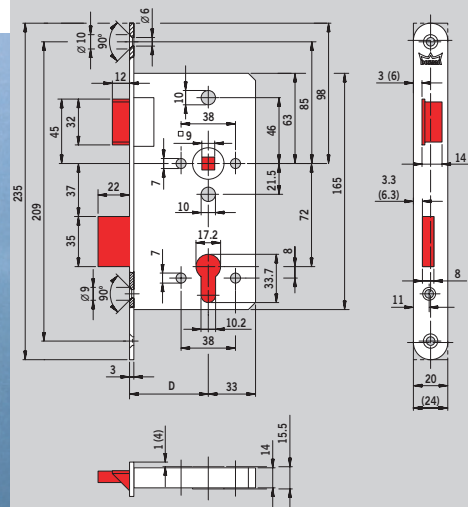
**182**

Emergency escape lock
9 mm square follower

CE EN 179



Illustration shows LH/ISO6 lock
(Mirror image applies for RH/ISO5 lock)



Features

- Lock case, zinc-plated
- Latch and bolt nickel-plated
- Bolt projection, single-throw, 20 mm
- Bolt with anti-saw protection
- 8 mm square follower
- With night latch function
- Specifications to DIN 18250-2, Class 3
- Non-handed

Backsets D (mm)

25, 30, 35, 40, 45

Forend width (mm)

24

Forend finish

- Satin-brushed stainless steel

Forend design

- Square ends

Special designs

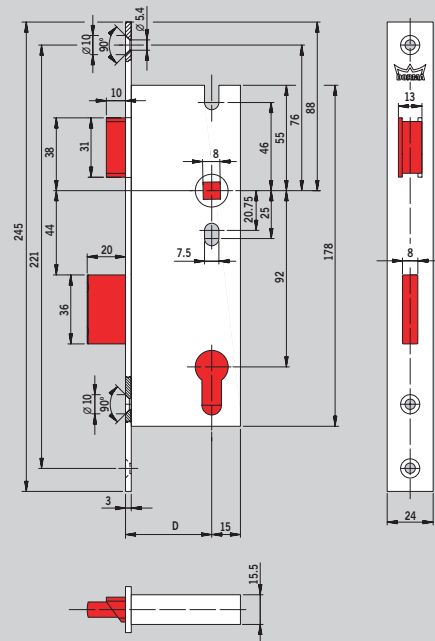
- Bolt projection 15 mm



952.0

For Europrofile cylinders to DIN 18252 with night latch function.

Follower-to-keyway centres 92 mm



Features

- Lock case zinc-plated
- Adjustable roller catch and bolt, nickel-plated
- Bolt projection, single-throw, 20 mm
- Bolt with anti-saw protection
- Technical specifications to DIN 18250-2, Class 3
- Non-handed

Backsets D (mm)

25, 30, 35, 40, 45

Forend width (mm)

24

Forend finish

- Satin-brushed stainless steel

Forend design

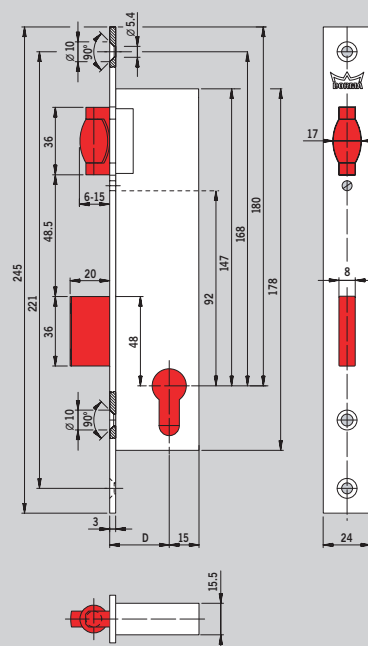
- Square ends



985.0

For Europrofile cylinders to
DIN 18252

Follower-to-keyway centres 92 mm



Features

- Lock case zinc-plated
- Bolt nickel-plated with anti-saw protection
- Bolt projection, single-throw, 20 mm
- EN 12209 in preparation
- Non-handed

Backsets D (mm)

25, 30, 35, 40, 45

Forend width (mm)

24

Forend finish

- Satin-brushed stainless steel

Forend design

- Square ends

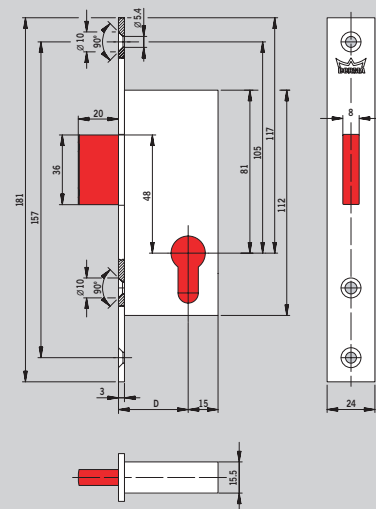
Option

- Bolt projection 15 mm



917.0

For Europrofile cylinders to
DIN 18252



Features

- Lock case zinc-plated
- Latch nickel-plated
- 8 mm square follower
- EN 12209 in preparation
- Non-handed

Backsets D (mm)

25, 30, 35, 40, 45

Forend width (mm)

24

Forend finish

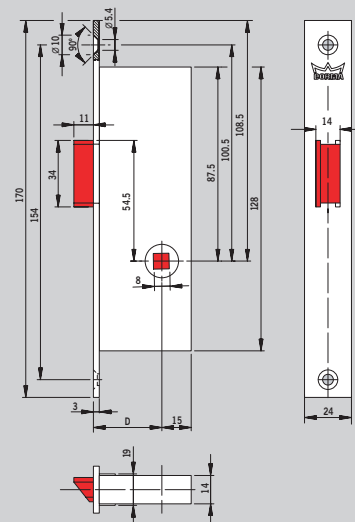
- Satin-brushed stainless steel

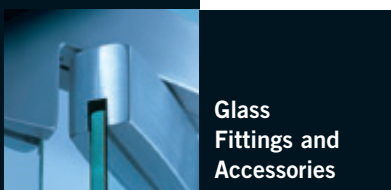
Forend design

- Square ends

**936.0**

8 mm square follower





DORMA UK Limited
Door Controls Division
Wilbury Way
Hitchin
Hertfordshire
SG4 0AB

Tel: 01462 477600
Fax: 01462 477601
E-mail: hardware@dorma-uk.co.uk

DORMA Ireland Limited
19 Sandyford Office Park
Foxrock
Dublin 18

Tel: 01 295 8280
Fax: 01 295 8284
E-mail: dormadublin@dorma.com

www.dorma-uk.co.uk

