



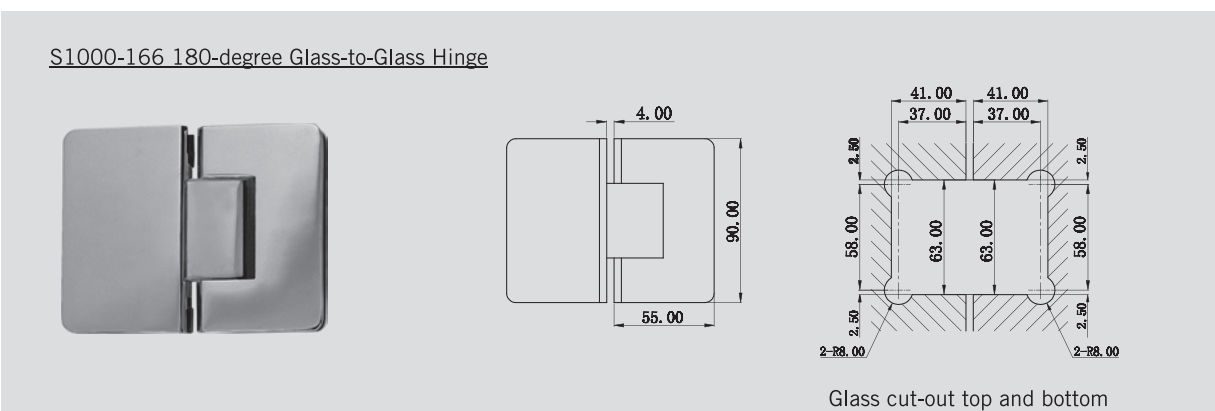
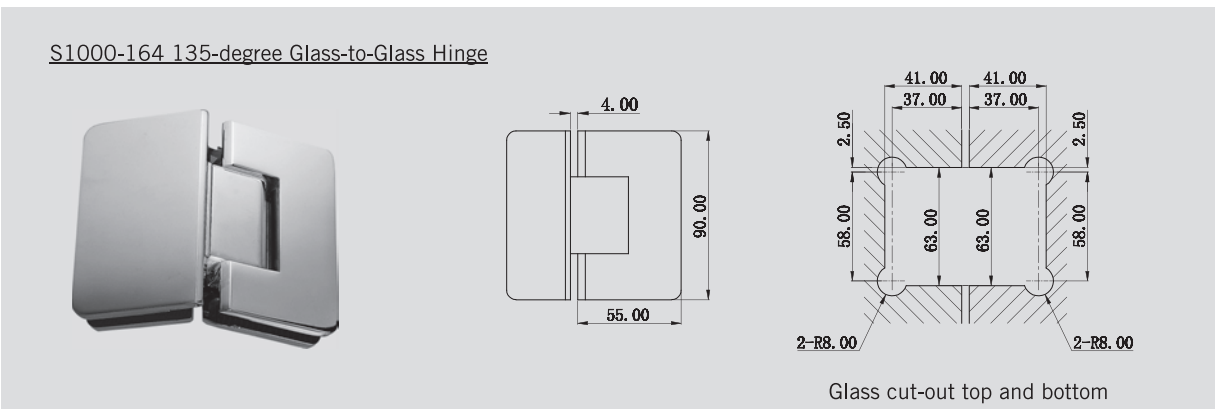
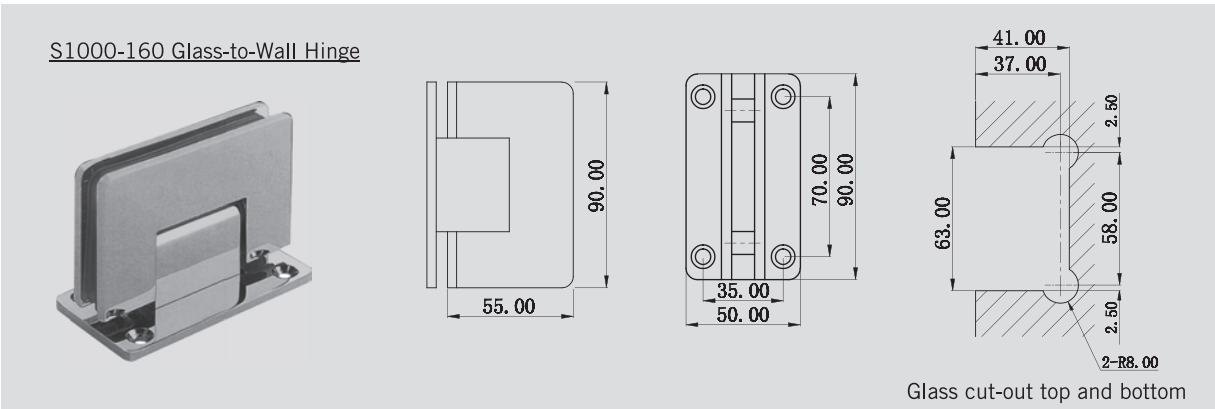
S1000

Shower Hinges

S1000 Shower Hinges – Elegance meets functionality

Impressively elegant, DORMA S1000 shower hinges are designed for frameless glass shower doors up to 900mm wide and a maximum of 45kg in weight. All S1000 shower hinges are non-handed and self-closing. They are suitable for double-action doors, and glass thicknesses of 8 and 10mm

The S1000 shower hinges' mechanism keeps the door securely closed to ensure optimum protection against spraying water. The stylish, yet functional, solid brass hinges are available in polished chrome and satin stainless steel finishes.



DORMA Far East Pte. Ltd.

31 Gul Lane
 Singapore 629425
 Tel: (65) 6268 7633
 Fax: (65) 6265 7995, 6459 0137
 www.dorma.com.sg

Other contact tel :

Indonesia : 62 21 754 7658/9
 Malaysia : 60 3 7665 1683
 Philippines : 63 2 893 4077/8
 Taiwan : 886 2 2918 2978
 Thailand : 66 2 236 4994/5/6
 Vietnam : 84 8 8968 738,
 84 9 3823 4368 (HP)