

Lever handle

Arne Jacobsen Collection

d line

PRODUCT DATA SHEET

ITEM NUMBER 12.4050.74.011
SURFACE Satin Stainless Steel

PRODUCT
Lever handle AJ large, satin finish, pair, w/o roses, 33-59 mm

PICTURE



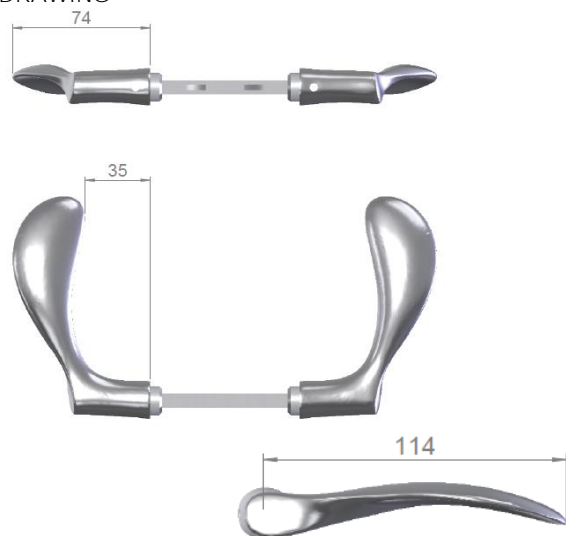
TENDER TEXT

Lever handle by Arne Jacobsen. Iconic, timeless and classically elegant.
Material: stainless steel AISI 304 satin finish, pair w/o roses, 33-59 mm. W:125 mm x H:20 mm x D:74 mm.

PRODUCT SPECIFICATION

Dimensions: W:125 mm x H:20 mm x D:74 mm.
Material: stainless steel AISI 304
Surface finish: satin grain 320, crafted by hand
Warranty for stainless steel (non movable) parts - 15 years

DRAWING



SPARE PARTS / ACCESSORIES:

14.2810.92.092 Spindle 8x8x92
14.9701.02.019 Grub screw M5x8,3 mmde

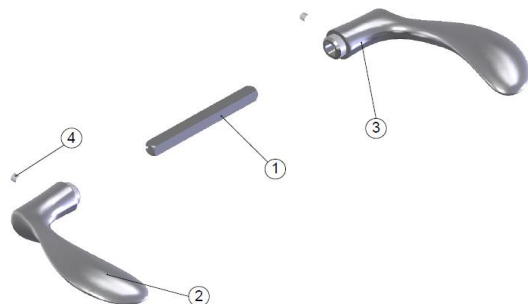
MOUNTING:

See instruction supplied with the product

PACKING:

1 pcs. In a bag

ISO-DRAWING



CERTIFICATES & AWARDS

Tested by EN 1906 standard

PRODUCT CARE

d line products are produced in the highest quality stainless steel. To sustain the unique d line finish appearance please follow the below instructions:

- Wash down the surfaces using soapy water or mild detergent
- Always thoroughly rinse off with clean water
- To complete the cleaning procedure dry/polish the surfaces with a soft dry cloth

Please do not use scouring powder, steel wool, chloride based detergents or other aggressive cleaning products as these may damage the surface.

If spots or corrosion appear on the surface it is not due to the stainless steel quality, but to impurities in the environment, aggressive conditions or improper or insufficient cleaning.