

# Friday entrance pair

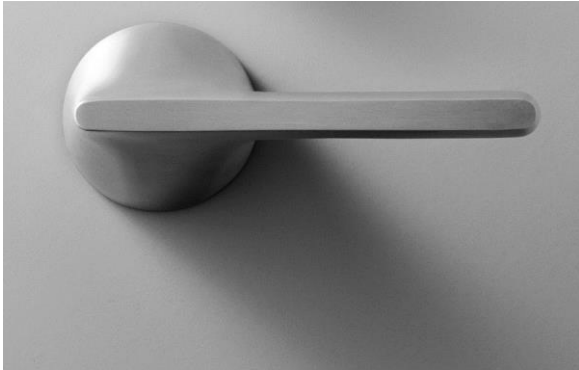
Bjarke Ingels Group Collection

d line

## PRODUCT DATA SHEET

ITEM NUMBER	SURFACE
14.3301.02.002	Satin Stainless Steel
16.3301.01.002	Polished stainless steel

### PICTURE



### PRODUCT

Friday entrance pair- door handle w/ball bearing roses cc38-30 mm, 8x8 mm spindle, for doors 33-59 mm.

### TENDER TEXT

Friday entrance pair + cover. d line has actively sought to collaborate with **Ingels and home automation studio Friday Labs** and together we've pioneered a state-of-the-art smart lock system operated via mobile phone. To complete the set, BIG has further designed the Entrance leverhandle accompanied with all the unique attributes of d line. Material: stainless steel AISI 316 satin finish, w/ball bearing roses cc38-30 mm, 8x8 mm spindle, for doors 33-59 mm. W:167 mm x H:70 mm x D:64 mm.

### PRODUCT SPECIFICATION

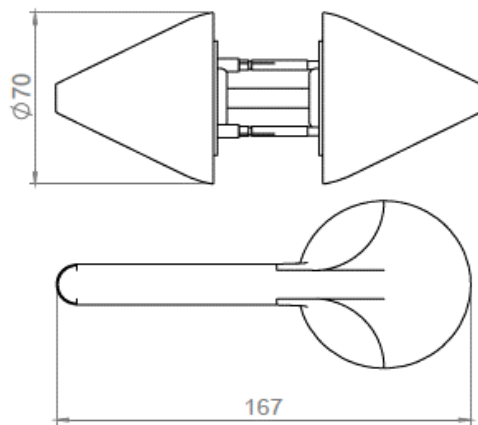
Dimensions: W:167 mm x H:70 mm x D:64 mm.

Material: stainless steel AISI 316

Surface finish: satin grain 320, crafted by hand

Warranty for stainless steel (non movable ) parts - 20 years

### DRAWING



### SPARE PARTS / ACCESSORIES:

14.3301.02.001 Friday lock + Friday cover

14.3301.02.005 Friday lock

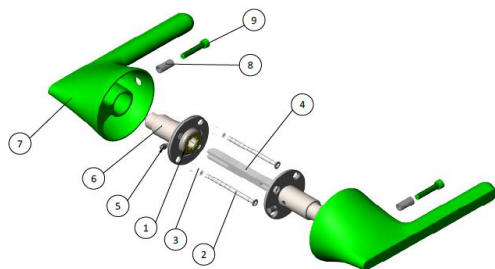
### MOUNTING:

See instruction supplied with the product

### PACKING:

1pcs per box

### ISO-DRAWING



### PRODUCT CARE

d line products are produced in the highest quality stainless steel, marine grade, AISI 316. To sustain the unique d line finish appearance please follow the below instructions:

- Wash down the surfaces using soapy water or mild detergent
- Always thoroughly rinse off with clean water
- To complete the cleaning procedure dry/polish the surfaces with a soft dry cloth

Please do not use scouring powder, steel wool, chloride based detergents or other aggressive cleaning products as these may damage the surface.

If spots or corrosion appear on the surface it is not due to the stainless steel quality, but to impurities in the environment, aggressive conditions or improper or insufficient cleaning.