

Lever handle 14L pair, 8x8mm

Knud Holscher Collection

d line

PRODUCT DATA SHEET

ITEM NUMBER	SURFACE
14.0416.02.011	Satin Stainless Steel
16.0416.01.011	Polished stainless steel

PRODUCT
Lever handle 14L pair, 8x8mm, Snap on cover 30/38mm, 33-59mm

PICTURE



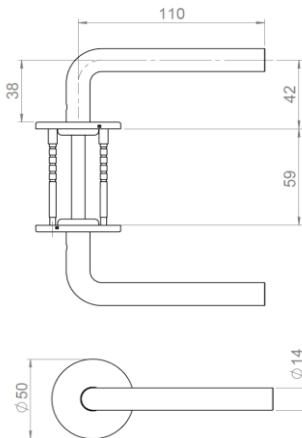
TENDER TEXT

Lever handle 14L pair. Outstanding classic danish design by Knud Holscher. Material: stainless steel AISI 316 satin finish, w/ball bearing snap on cover roses cc30/38 mm, 8x8 mm spindle, for doors 33-59 mm. Radius: Ø14. W:135 mm x H:50 mm x D:49 mm.

PRODUCT SPECIFICATION

Dimensions: W:135 mm x H:50 mm x D:49 mm
Radius:Ø14
Material: stainless steel AISI 316
Surface finish: satin grain 320, crafted by hand
Warranty for stainless steel (non movable) parts - 20 years

DRAWING



SPARE PARTS / ACCESSORIES:

- 14.9701.02.016 Crub screw M5x6,8
- 14.2961.74.107 Section bolt set M4x110 with bush
- 14.2810.92.092 Spindle for door 33-59 mm
- 14.9767.00.105 TX10 tool kit
- 14.2930.02.002 Snap on cover tool

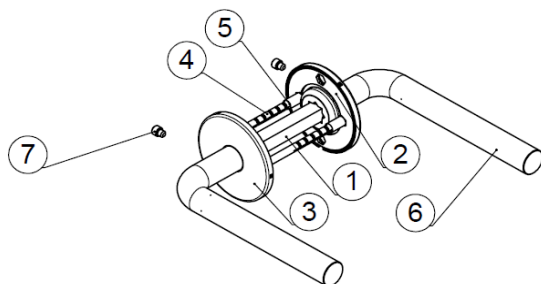
MOUNTING:

See instruction supplied with the product

PACKING:

1pcs in a bag, 5 pcs per box

ISO-DRAWING



CERTIFICATES & AWARDS

Tested by EN 1906 standard

PRODUCT CARE

d line products are produced in the highest quality stainless steel, marine grade, AISI 316. To sustain the unique d line finish appearance please follow the below instructions:

- Wash down the surfaces using soapy water or mild detergent
- Always thoroughly rinse off with clean water
- To complete the cleaning procedure dry/polish the surfaces with a soft dry cloth

Please do not use scouring powder, steel wool, chloride based detergents or other aggressive cleaning products as these may damage the surface.

If spots or corrosion appear on the surface it is not due to the stainless steel quality, but to impurities in the environment, aggressive conditions or improper or insufficient cleaning.