

Lever handle 19U pair, 8x8mm

Knud Holscher Collection

d line

PRODUCT DATA SHEET

ITEM NUMBER	SURFACE
14.1816.02.016	Satin Stainless Steel
16.1816.02.016	Polished stainless steel

PRODUCT
Lever handle 19U pair, 8x8mm, Snap on cover 30/38mm 33-59mm

PICTURE



TENDER TEXT

Lever handle 19U pair. Outstanding classic danish design by Knud Holscher. Material: stainless steel AISI 316 satin finish, Snap on cover cc 30/38mm for 33-59 mm doors. Radius: Ø19. W:150 mm x H:50 mm x D:62 mm.

PRODUCT SPECIFICATION

Dimensions: W:150 mm x H:50 mm x D:62 mm.

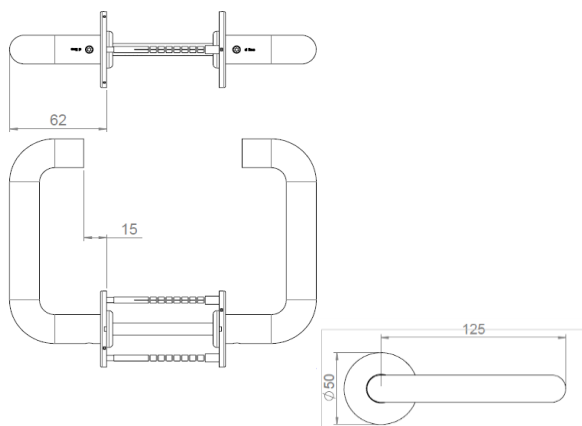
Radius:Ø19

Material: stainless steel AISI 316

Surface finish: satin grain 320, crafted by hand

Warranty for stainless steel (non movable) parts - 20 years

DRAWING



SPARE PARTS / ACCESSORIES:

All ball bearing roses and back plates made by d line, screws, spindles and tools available.

14.9701.02.016	Crub screw M5x6,3
14.2935.00.089	Fixing tool f/ball bearing roses
14.2961.74.107	Section bolt set M4x110 with bush
14.2810.92.115	Spindle for door 59-85 mm

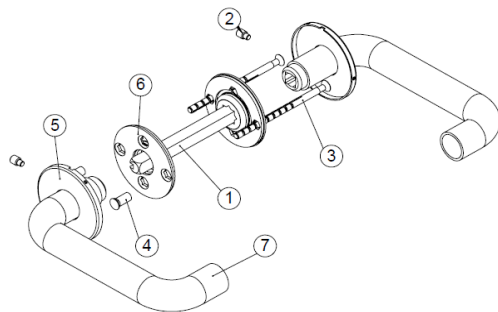
MOUNTING:

See instruction supplied with the product

PACKING:

1pcs in a bag, 10 pcs per box

ISO-DRAWING



CERTIFICATES & AWARDS

Tested by EN 1906 standard

PRODUCT CARE

d line products are produced in the highest quality stainless steel, marine grade, AISI 316. To sustain the unique d line finish appearance please follow the below instructions:

- Wash down the surfaces using soapy water or mild detergent
- Always thoroughly rinse off with clean water
- To complete the cleaning procedure dry/polish the surfaces with a soft dry cloth

Please do not use scouring powder, steel wool, chloride based detergents or other aggressive cleaning products as these may damage the surface.

If spots or corrosion appear on the surface it is not due to the stainless steel quality, but to impurities in the environment, aggressive conditions or improper or insufficient cleaning.