



Commercial Sliding Door Hardware

HENDERSON

Design in Motion

November 2012



Contents

Introduction	2
Straight Sliding Systems	3
Pacer - timber and metal doors up to 200kg	4
Sirocco - timber and metal doors up to 80kg	6
Sienna - timber doors up to 120kg	8
Soltaire - timber and metal doors up to 250kg	10
Flexirol - timber and metal doors up to 500kg	12
Folding Systems	14
Securefold exterior folding - timber doors up to 100kg	16
Securefold Ultra exterior folding - timber doors up to 100kg	18
Pacer interior centre-folding - timber doors up to 75kg	20
Pacer interior end-folding - timber doors up to 65kg	22
Pacer exterior end-folding - timber and aluminium doors up to 65kg	24-27
Flexirol interior centre-folding - timber doors up to 125kg	28
Flexirol interior end-folding - timber doors up to 125kg	30
Flexirol exterior end-folding - aluminium doors up to 125kg	32
Multidirectional Systems	34
Flexirol 90° - timber and aluminium doors up to 100kg	36
Flexirol 135° - timber and aluminium doors up to 500kg	38
Components	40
Guide to Quantities	47

INTRODUCTION

PC Henderson has long been acknowledged as the world leader in the design and manufacture of sliding and folding door hardware systems for residential, commercial and industrial applications.

Established in 1921, PC Henderson is based in Bowburn in North East England and has subsidiaries in Holland and Ireland. The company has a long established sales and distribution network in over 70 countries, supported by Henderson's fully trained UK based technical sales team.

The company is committed to quality and is registered to BS EN ISO 9001: 2008 Quality Systems and Environmental Management System ISO 14001: 2004

As part of this commitment this brochure has been printed on carbon neutral paper in line with the FSC which promotes responsible management of the world's forests. This accreditation guarantees that only the amount of wood which the forest can regenerate naturally is cut down with minimal impact on the environment, wildlife and the indigenous people who reside there.



COMMERCIAL RANGE

The models in the Henderson commercial range are suitable for doors weighing up to 500kg. They are ideal for applications such as shop fronts, hotels, conference centres and offices, where smooth action, high performance and aesthetics are important.

You can choose from timber, aluminium and glass door options*, with straight sliding, folding and multidirectional stacking systems. Flexirol multidirectional systems can accommodate 90° and 135° movement.

Aluminium track can be painted on site to match interior colours and ceilings. Pacer track has the option of clip-on aluminium fascia.

STRAIGHT SLIDING DOOR SYSTEMS

The main advantage of using a straight sliding system is that it saves room space, as the door does not require a swing or stacking space to open. Using straight sliding systems therefore makes perfect sense when space is at a premium. Sliding doors also offer a touch of individuality to a room design.

P C Henderson's commercial range of straight sliding door systems covers door weights up to 500kg. The products in this range have all been designed for high performance with particular attention to aesthetic appearance.

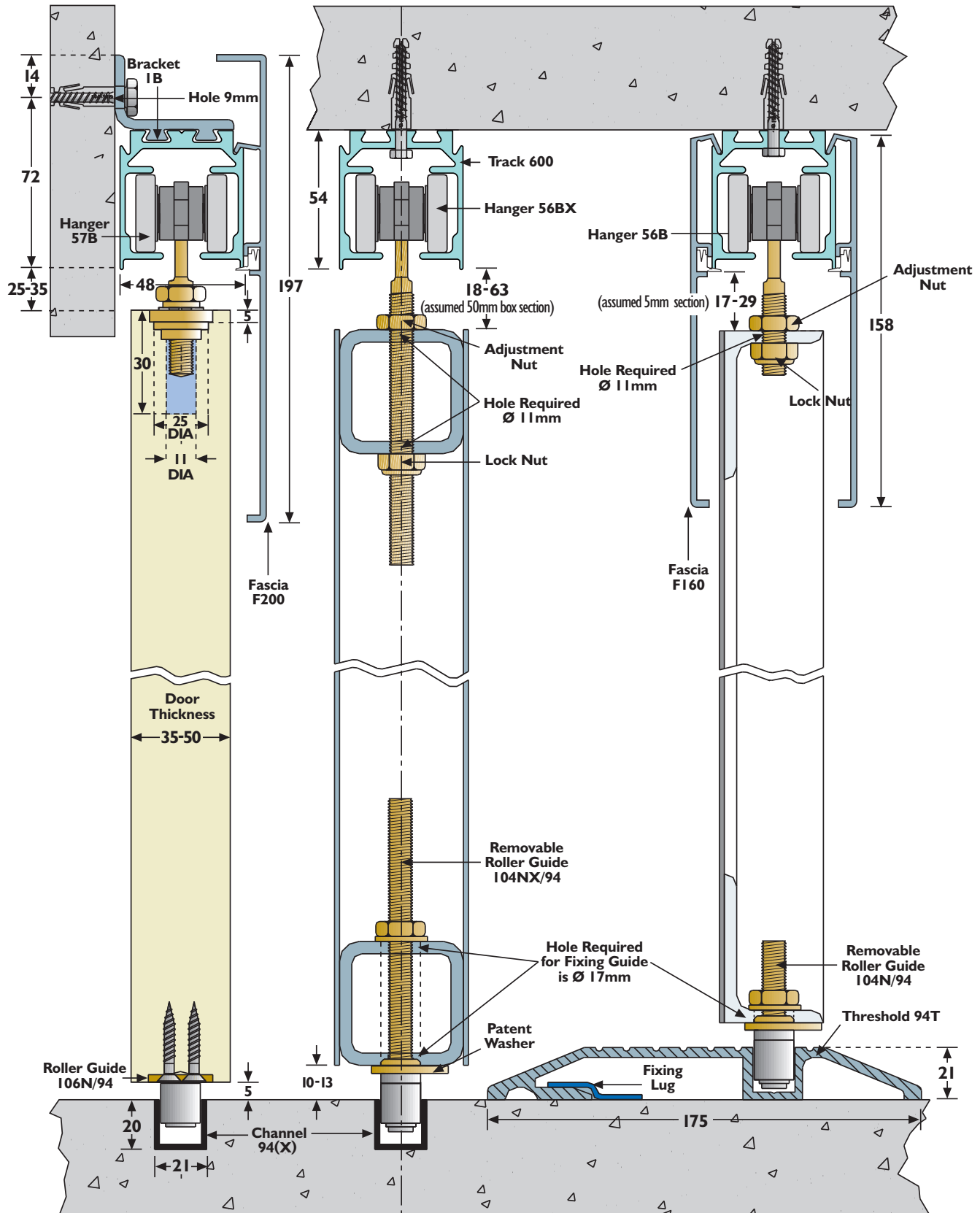
With this goal in mind, Husky and Pacer straight sliding systems have been designed to accommodate a range of clip-on aluminium fascia also supplied by P C Henderson. This aluminium fascia is supplied as standard in a satin anodised finish, with other finishes available on request.

In today's modern working environment the use of glass as an important design element has become widespread practice.

***For further details see our Glass door hardware systems brochure.**



PACER STRAIGHT SLIDING FOR TOP-HUNG TIMBER AND METAL DOORS



CAPACITY

Maximum door weight:	200kg
Maximum door height:	3000mm
Door thickness:	35mm-46mm

APPLICATIONS

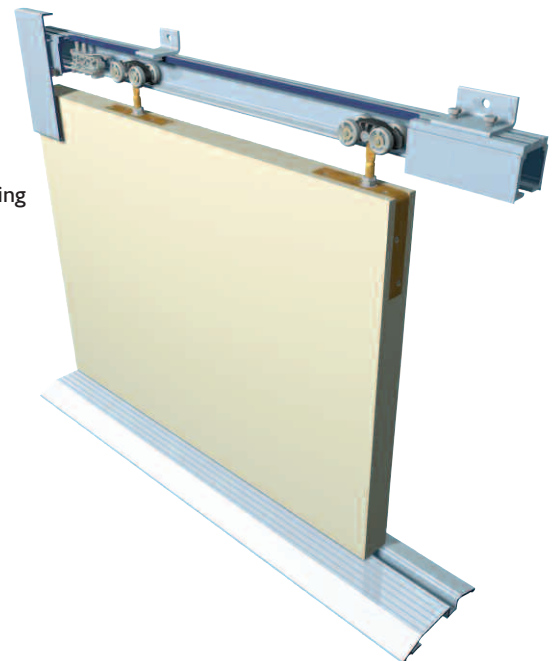
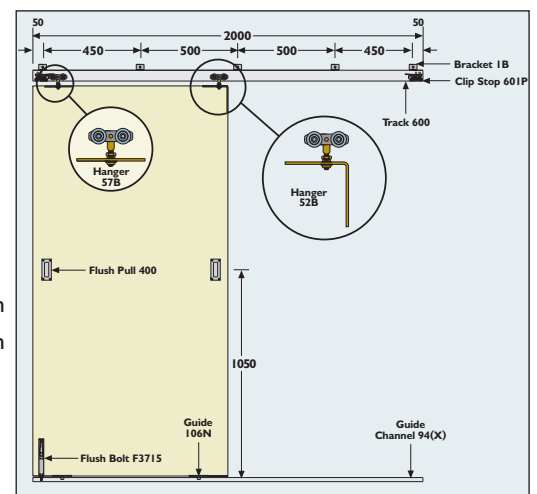
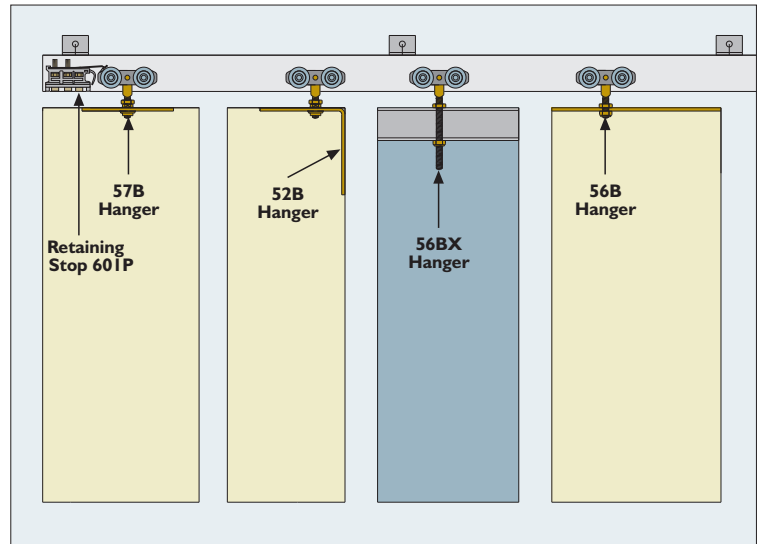
Combining performance and style with versatility, Pacer straight sliding in timber, aluminium or metal is ideally suited to the modern arena of shop fronts, offices and other stylish interiors.

DOOR TYPES

Timber doors for interior applications can be either solid or glazed. Metal doors can be of angle or box section. Aluminium is dependent on extrusion profile.

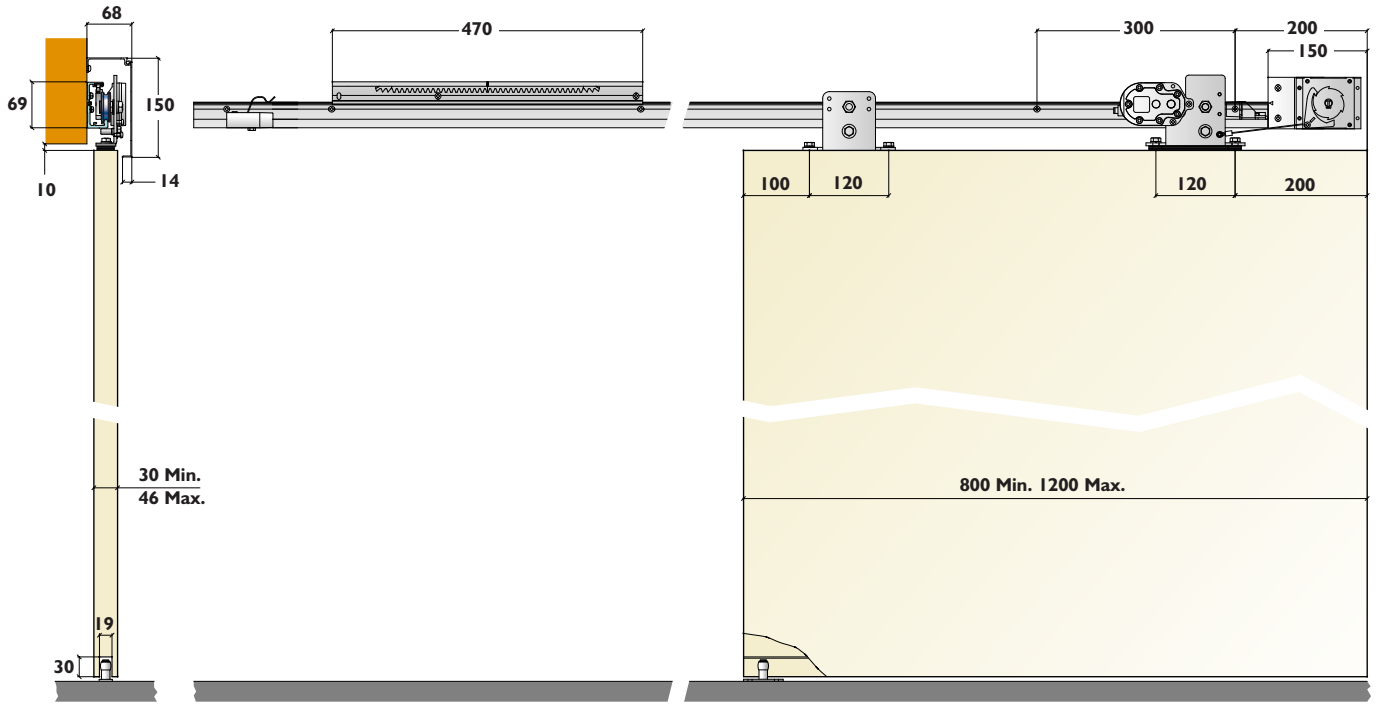
TECHNICAL INFORMATION

Track:	Anodised aluminium & mill finish options Available in 2000mm, 2500mm, 3000mm, 3500mm, 4000mm and 6000mm lengths	600
Brackets:	Face fix Jointing bracket	IB IBX
Fascias:	Soffit fixed track Face fixed track Fascia comes in a satin anodised aluminium finish in lengths of 2000mm, 2500mm, 3000mm, 3500mm, 4000mm and 6100mm	F160 with standard return F200 with standard return
Hangers:	Wood doors Wood doors Aluminium/Metal doors Metal doors Metal doors	57B - concealed fixing 52B - angle plate fixing 57B - concealed fixing 56B - angle frame 56BX - box frame
Guides:	Wood/Aluminium/Metal doors Wood/Aluminium doors Metal doors Metal doors	89/2N - floor mounted guide 106N/94 - concealed fixing 104N/94 - angle frame 104NX/94 - box frame
Guide Channel:	Brass Aluminium Aluminium threshold/guide channel 94 channel available in 1500mm and 3000mm lengths. 94X channel available in 1500mm, 2000mm, 2500mm, 3000mm lengths. Aluminium threshold available in 2000mm, 2500mm, 3000mm, 3500mm, 4000mm and 6000mm lengths.	94 94X 94T
Accessories:	Retaining stop mounted within the track Flushbolt (lockable & non-lockable versions)	60IP SF190

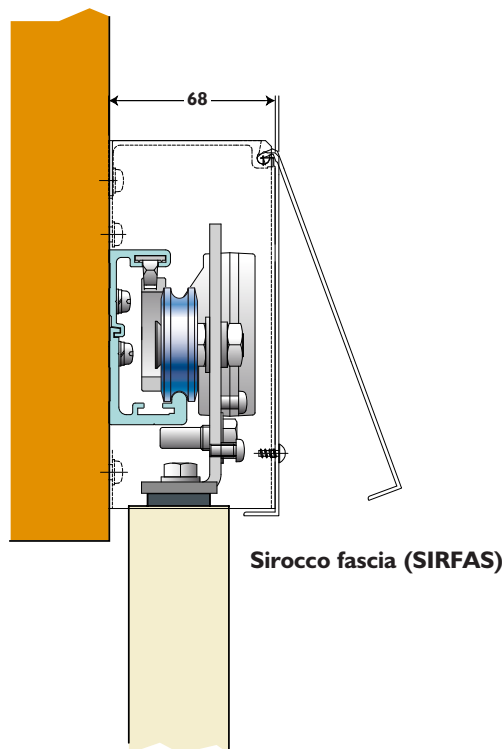
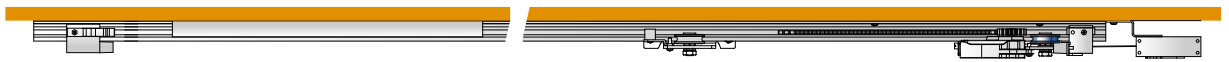




SELF CLOSING SIROCCO FOR METAL OR TIMBER DOORS



(SIRLH left hand opening shown)



CAPACITY

Maximum door weight:	80kg
Minimum door thickness:	30mm
Maximum door thickness:	46mm
Minimum door width:	800mm
Maximum door width:	1200mm

APPLICATIONS

The Sirocco system is a quiet, user friendly self closing system which brings the door leaf gently to a close.

The integrated hydraulic soft stop brings the door to a safe and cushioned close making it ideal for disabled access systems or public areas. The internal door brake can also be adjusted to allow the user to dictate the speed of opening preventing damage to the door and system.

- Designed to give a smooth and quiet operation
- Adjustable closing speed feature
- Optional hold open unit giving adjustable time delay before closing
- Operational between temperatures of -10°C and 40°C

DOOR TYPES

Timber doors for interior applications only.

TECHNICAL INFORMATION

Application

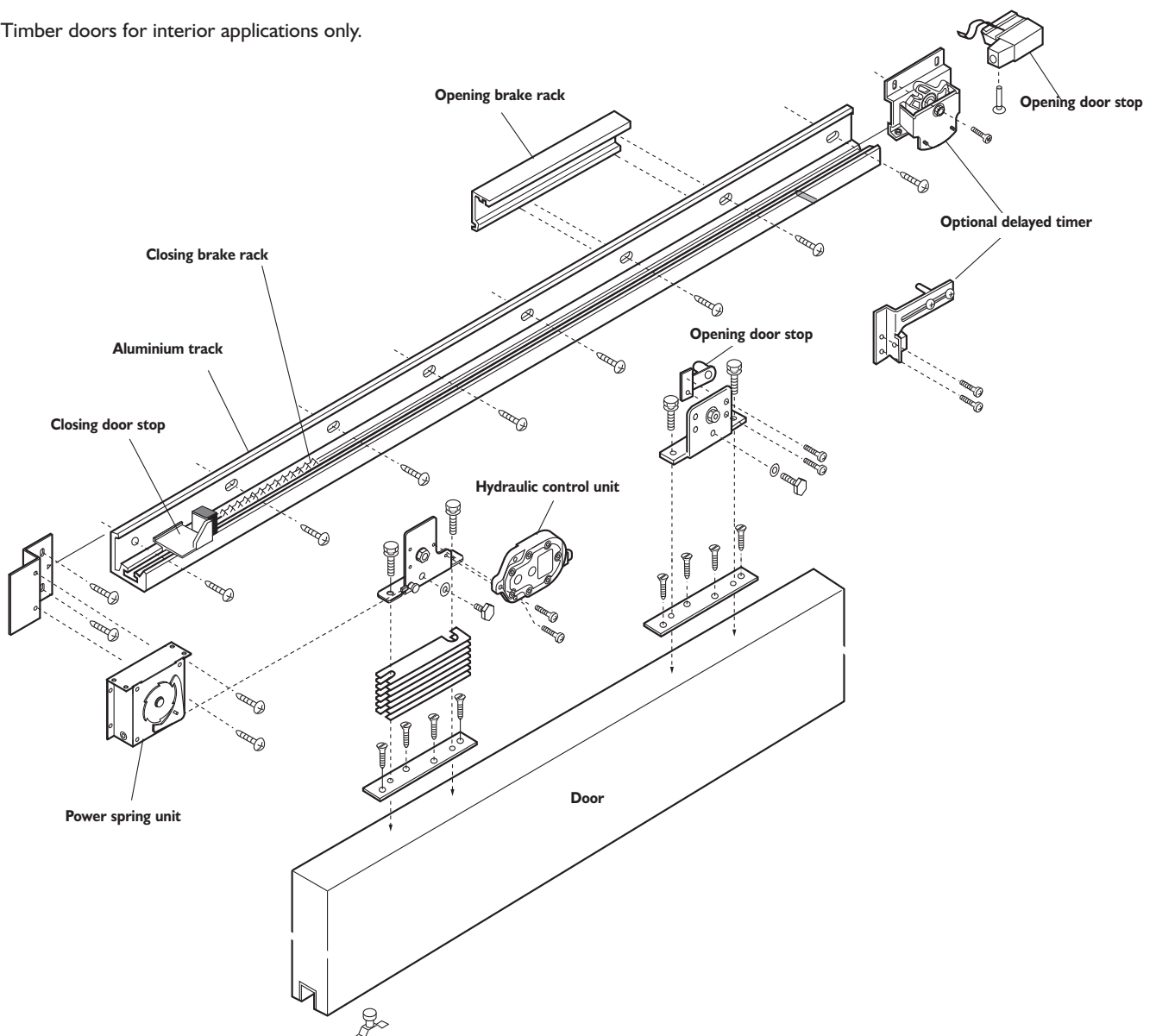
Right Hand Opening	SIRRH
Left Hand Opening	SIRLH
Optional Delayed Closing timer RH	DELRH
Optional Delayed Closing timer LH	DELLH
Optional Fascia	SIRFAS

Product code

Accessories:

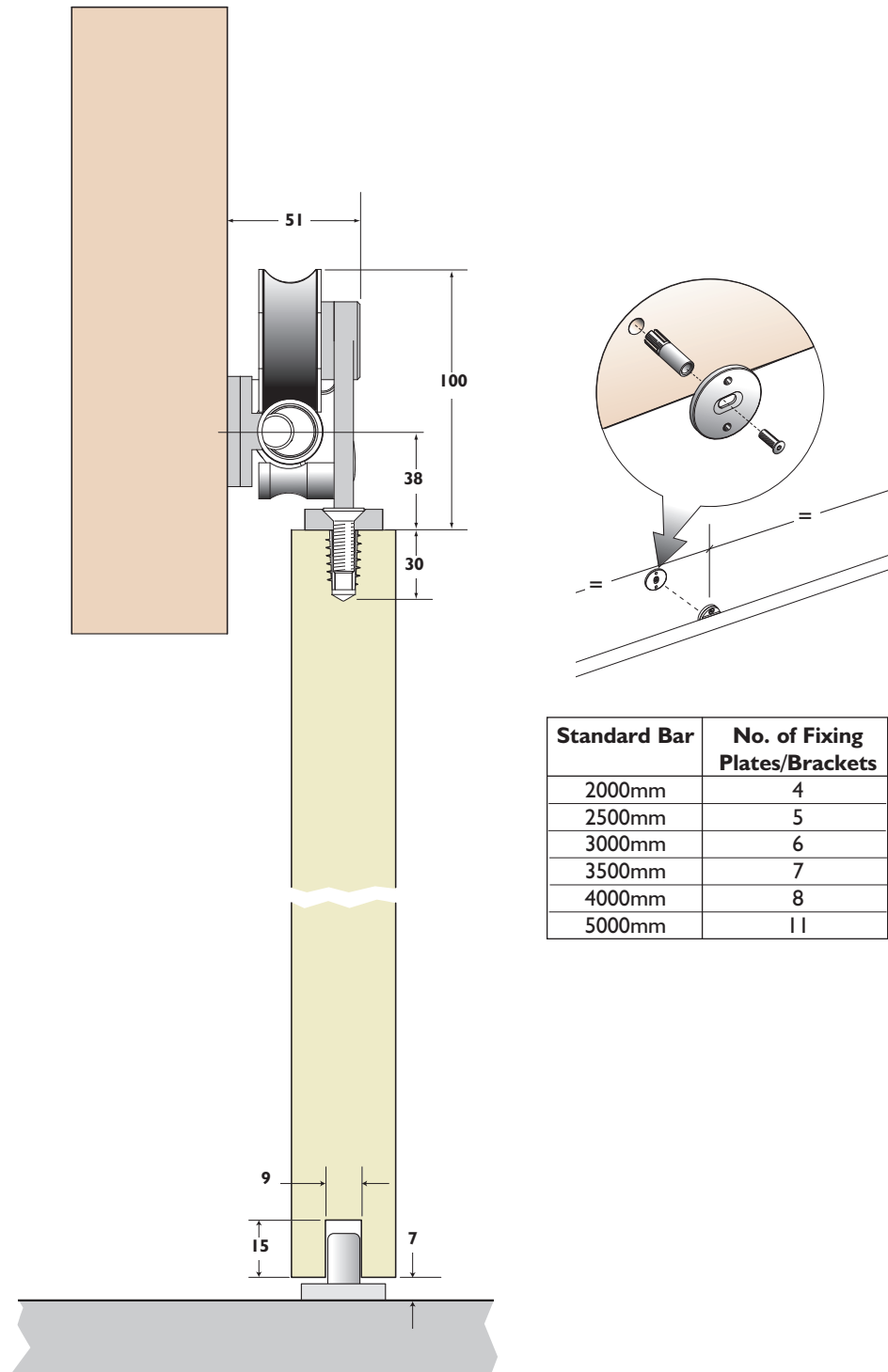
Brake to reduce opening speed to prevent damage to the door and system

Hold open unit giving adjustable time delay before self closing





STRAIGHT SLIDING SIENNA FOR TIMBER DOORS



CAPACITY

Maximum door panel weight:	120kg
Minimum door panel thickness:	30mm
Maximum door panel thickness:	70mm
Maximum door panel height:	2500mm
Minimum door panel width:	700mm

APPLICATIONS

The straight sliding Sienna system is an elegant frameless timber door system that creates a minimalist look. It is designed to accommodate doors of 30-70mm thickness and a weight capacity of 120kg.

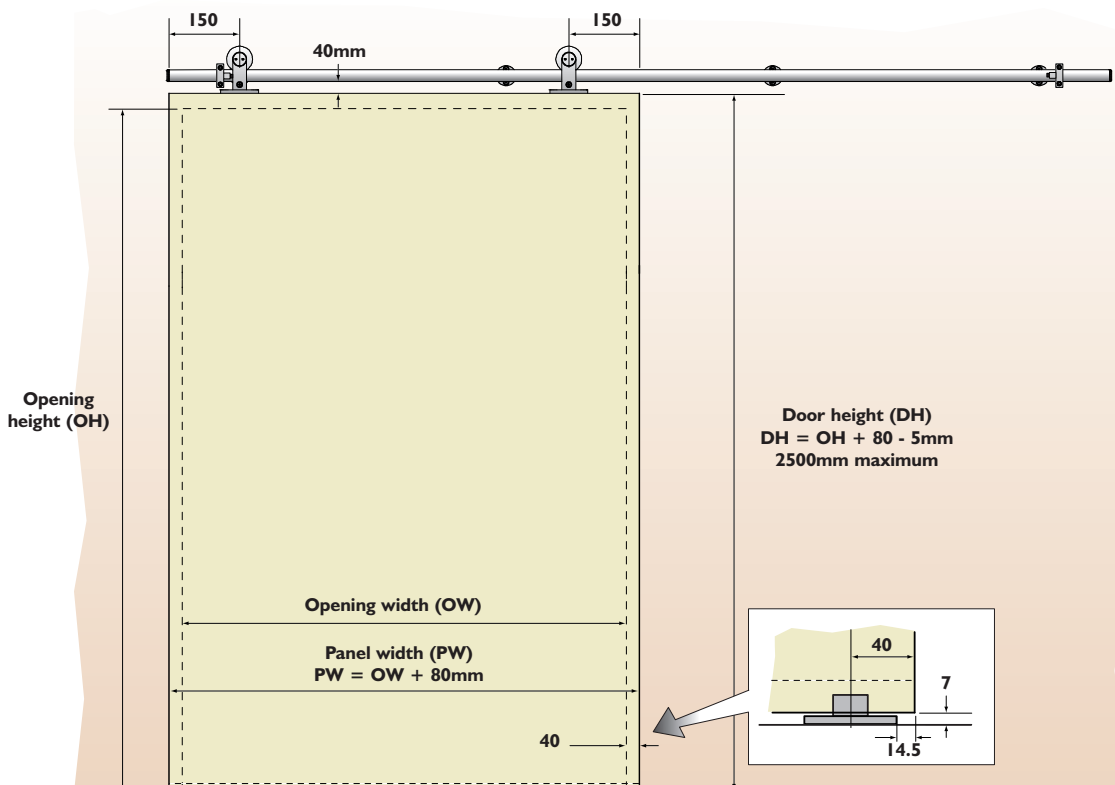
- Rollers are engineered to run effortlessly along a brushed stainless steel tubular track
- Stops are positioned on the track to limit the door travel

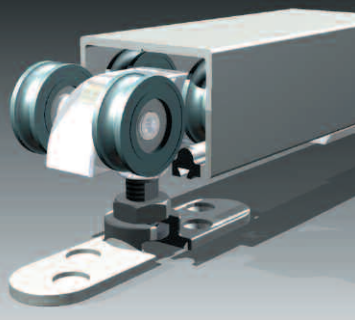
DOOR TYPES

Sliding frameless timber doors.

TECHNICAL INFORMATION

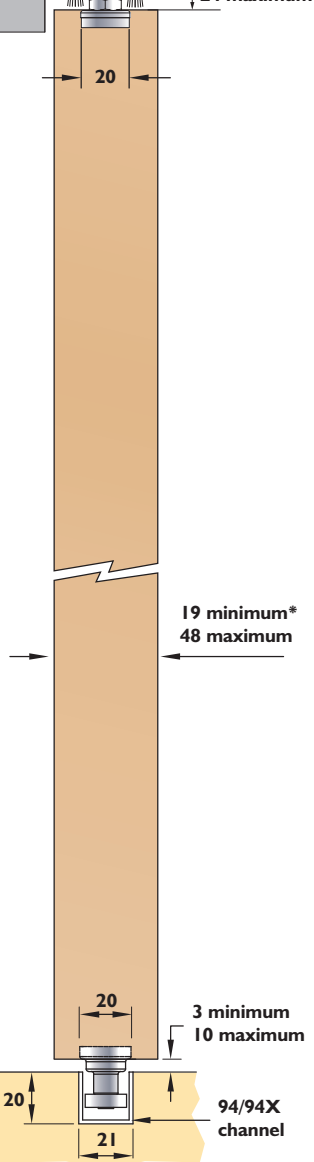
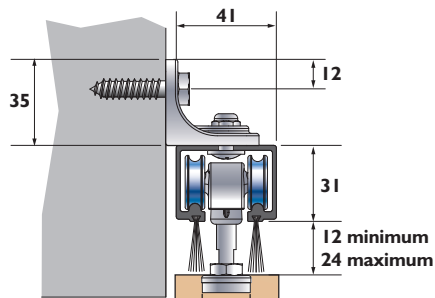
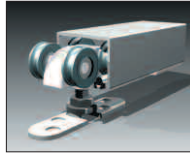
Basic Kit	2 hangers, 2 door stops, one guide, 2 bar end caps	SN120T
Track/brackets:	Ø25mm stainless steel tubular track <i>(Replace **** with length of track required)</i> Available in standard lengths up to 6m, drilled and pre-assembled with the correct number of wall brackets (see page 8)	25/****T
Guide:	Floor guide	10ISS
Door Stop:	Stop	25/UDS
Handle:	Please contact our technical sales team for details on handles	



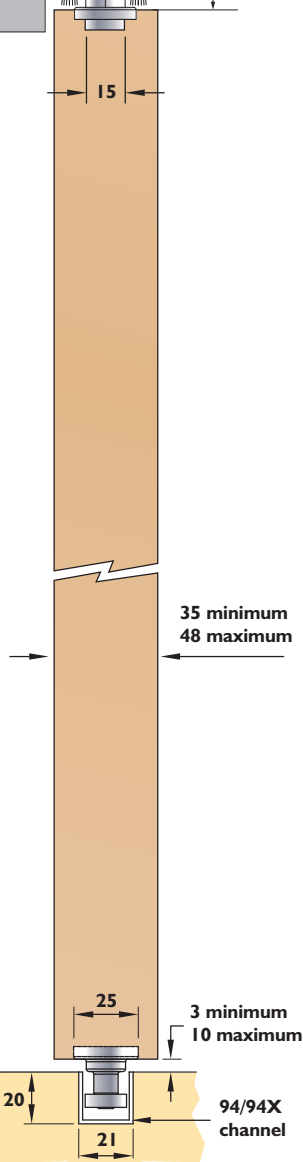
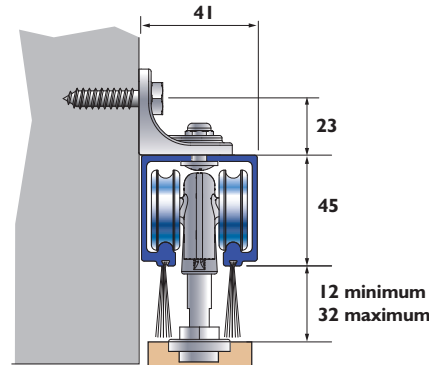


STRAIGHT SLIDING SOLTAIRE FOR TIMBER AND METAL DOORS

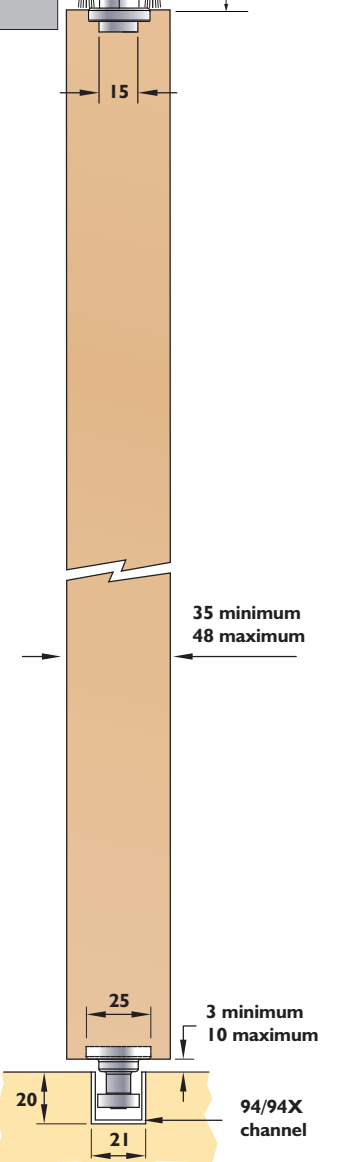
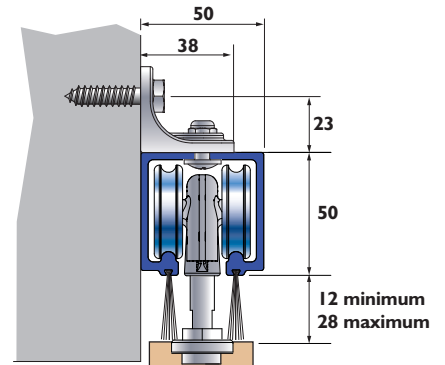
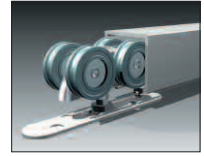
120



180



250



*For MDF doors 19-23mm you must use hanger 52/120/SS
and for doors 24-48 there is an option of
surface mounted or routed (51/120/SS or 57/120/SS)

CAPACITY	120	180	250
Maximum panel weight	120 kg	180 kg	250 kg
Maximum panel thickness	48mm	48mm	48mm
Minimum panel thickness	19mm*	35mm	35mm
Maximum panel height	3000mm	3000mm	3300mm

APPLICATIONS

Soltaire is a top hung straight sliding system designed to accommodate interior and exterior doors of one sliding panel or two bi-parting doors on a single track. Designed for door weights of up to 120kg, 180kg or 250kg the reliable system is extremely durable and ideal for coastal applications, heavy use or areas that require a high level of corrosion resistance.

- Manufactured from high grade 316 stainless steel with anodised aluminum track.
- Hangers available for MDF (120kg only), timber or metal doors.
- The track can be soffit fixed or face fixed to give flexibility of installation.

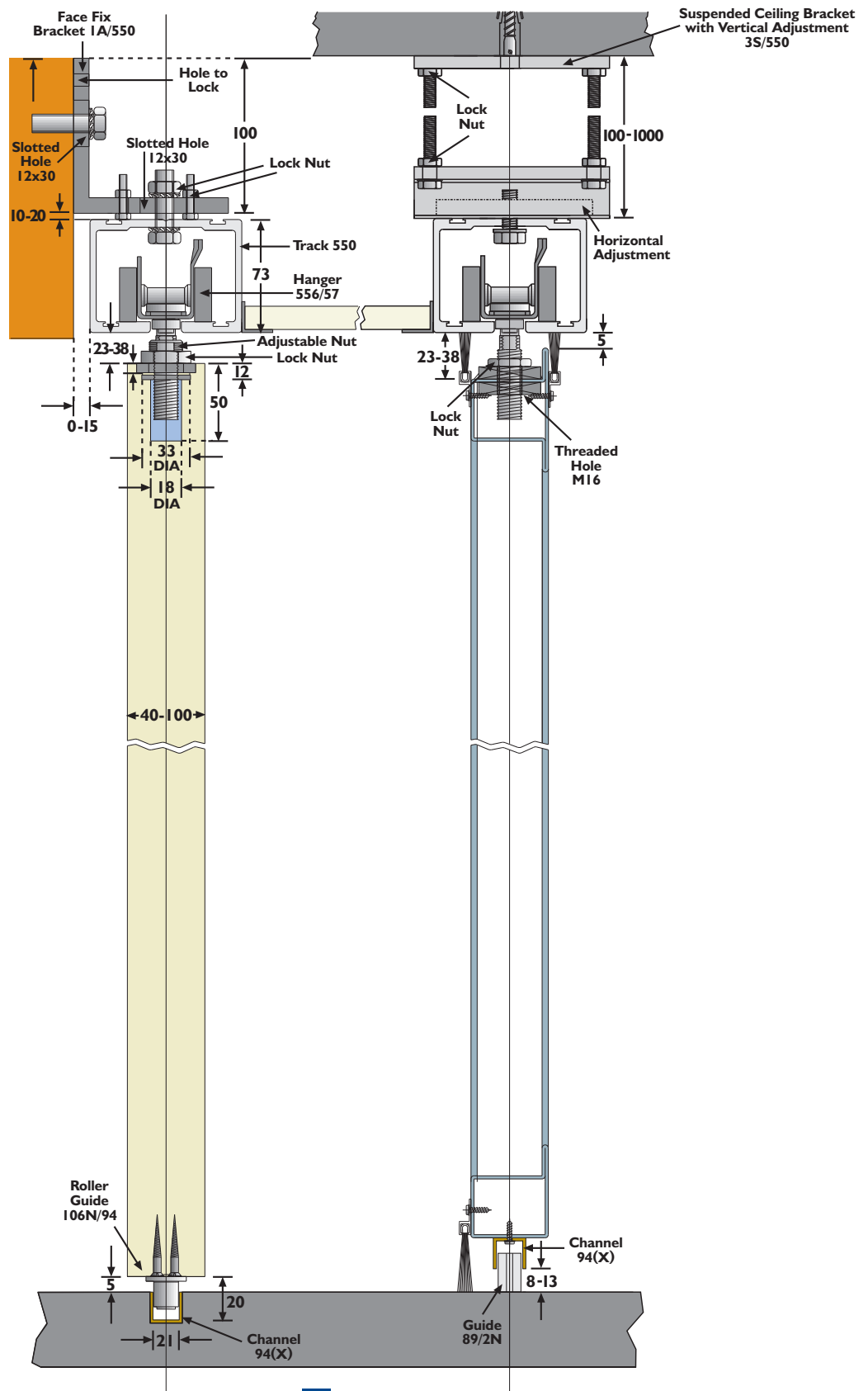
DOOR TYPES

Timber and metal doors of either angle frame or box section and aluminium extrusion.

TECHNICAL INFORMATION		120	180	250	
Track:	Anodised aluminium (25 microns) available in lengths	120/2000,120/2500, 120/3000,120/4000, 120/5000 & 120/6000	180/2000,180/2500, 180/3000,180/4000, 180/5000 & 180/6000	250/2000,250/2500, 250/3000,250/4000, 250/5000 & 250/6000	
	Soffit fix spacing centres (maximum)	600mm	900mm	900mm	
Brush strips:	Available in black in 4 brush heights, by the metre	BS10, BS15, BS20, BS25(mm)			
Brackets:	Face fixed stainless steel	1/SS	1/SS	1/SS	
	Double run face fixed stainless steel	5/SS	5H/SS	5H/SS	
<i>Starting 20mm from end of track fix at 600mm centres (maximum)</i>					
Hangers:	2 required per door				
	MDF doors - face fixing	52/120/SS			
	Timber doors - top fixed - surface mounted	- (concealed) plate fixing		57/180/SS	
		- corner plate fixing	57/120/SS	52/180/SS	57/250/SS
		- saddle plate fixing	53/180/SS	53/250/SS	
	Metal doors - angle frame door fixing	- angle frame door fixing	56/120/SS	56/180/SS	56/250/SS
		- box frame fixing		56X/180/SS	56X/250/SS
- (concealed) plate fixing			57/180/SS	57/250/SS	
- (concealed) fixing with SS bearing		106 SS/94	106H SS/94	106H SS/94	
Guides:	- nylon saw cut guide	102 N			
	- wall mounted guide	102 SS/94	102 SS/94	102 SS/94	
	- metal door angle frame guide	104 P/89			
	- box section metal door	104 PX/89	104 PX/89	104 PX/89	
	- for multiple runs of doors use	102 SS/94	102 SS/94	102 SS/94	
Channels:	Aluminum (2000, 2500, 3000 & 6000mm lengths)	94X	94X	94X	
	Brass (1500 & 3000mm length only)	94	94	94	
	Stainless steel (3000mm length only)	89SS	89SS	89SS	
	Polypropylene channel	94P	94P	94P	
	Aluminum supporting channel for polypropylene	94SC	94SC	94SC	
Track Stop:		HH4/SS	HH5/SS	HH5/SS	
Flushbolts:		SF190	SF190	SF190	



FLEXIROL STRAIGHT SLIDING FOR TOP-HUNG TIMBER AND METAL DOORS



CAPACITY

Maximum door weight: 500kg (556 hanger)

Maximum door height: 6000mm - timber or metal framed

Maximum door width: 6000mm - timber or metal framed

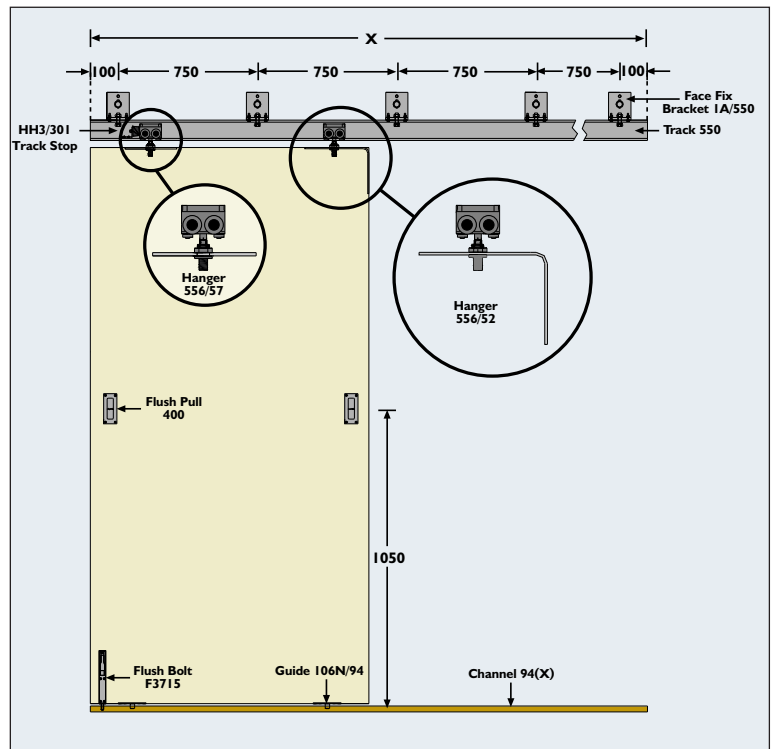
Door thickness: 40-100mm - timber or metal framed

APPLICATIONS

Henderson straight sliding Flexirol is ideally suited to hotels, conference centres, shop-fronts, showrooms or any site that requires high performance and attractive finish.

DOOR TYPES

Timber and metal doors of either angle frame or box section and aluminium extrusion.



TECHNICAL INFORMATION

Track: 550 (see components section for range of finishes)

Brackets: Face fix 1A/550
Soffit fix 3S/550

Hangers: Metal doors 556
Timber doors 556/57 - concealed fixing
Timber doors 556/52 - angle plate fixing

Guides: Timber and metal doors 89/2N
Timber doors 106N/94
Metal doors 104N/94
Metal doors, extended version 104NX/94

Guide Channel: Brass 94
Aluminium 94X
Aluminium threshold/guide channel 94T (refer to page 5)

Accessories: Flushpull 400
Flushbolt SF190, 450 and 600
Narrow bolt and keep F3715 & F3734
Trackstop HH3/301





SECUREFOLD, PACER & FLEXIROL FOLDING DOOR SYSTEMS

The use of folding doors is ideal for interior and, in particular, exterior situations where space is limited or where it is desirable to have the door leaves stacked behind a reveal.

With the Securefold, Pacer and Flexirol folding door systems, flexibility is the key. The range covers everything from internal folding partitions to exterior folding entrance ways.

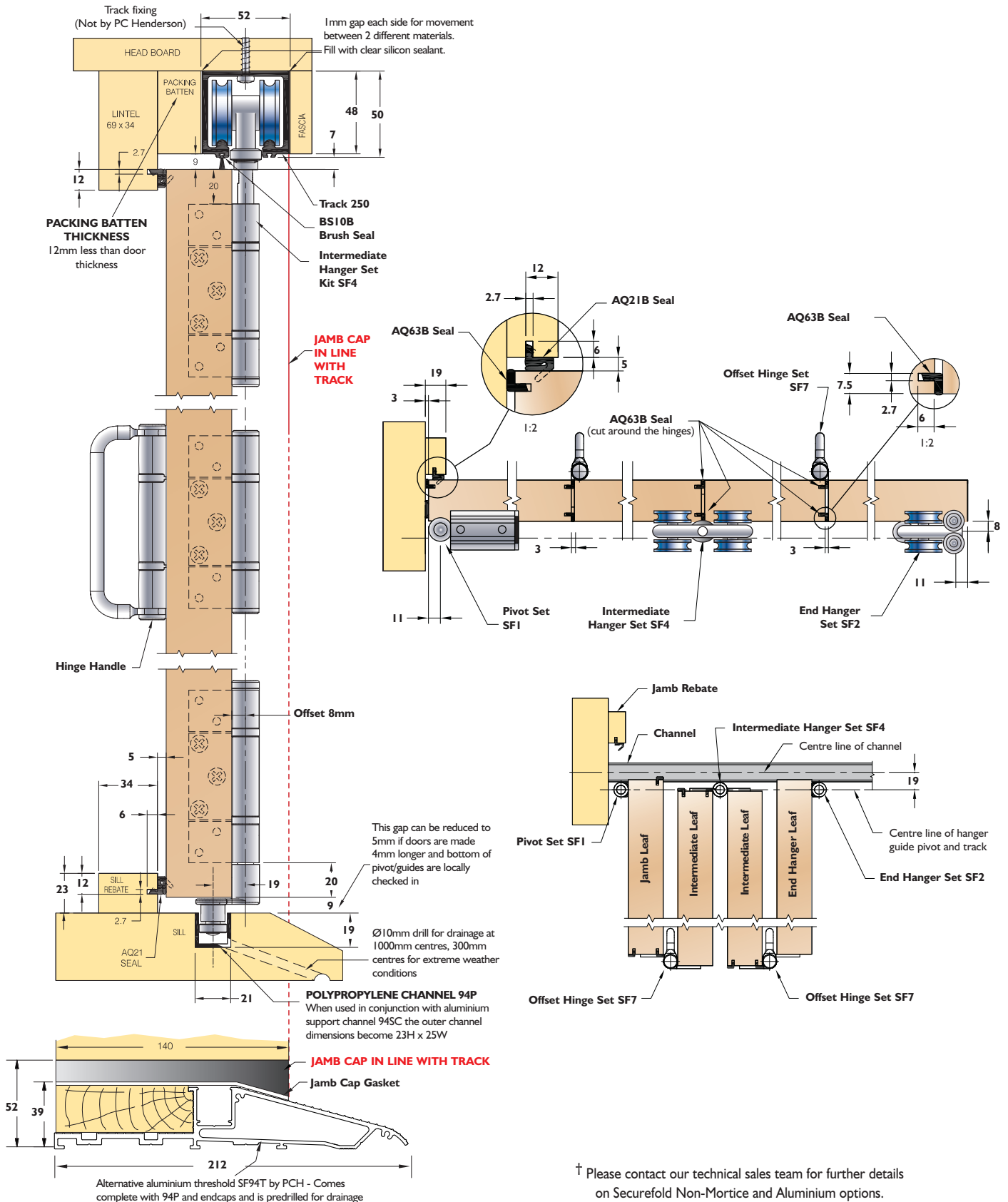
The Pacer system covers weights up to 75kg per door leaf, Securefold up to 100kg and the Flexirol system has a capacity of up to 125kg. All systems use high performance components that are extremely durable, ensuring a long, trouble-free operating life. When considering internal partition systems, specifiers are provided with the option of either centrefold or endfold configurations.

To match the variety of materials used in modern day design, Pacer and Flexirol folding systems cater for doors of glass, timber or metal construction with Securefold specialising as a weatherproof system for timber doors.





EXTERIOR FOLDING SECUREFOLD FOR TIMBER DOORS[†]



[†] Please contact our technical sales team for further details on Securefold Non-Mortice and Aluminium options.

CAPACITY

Maximum door height:	3300mm
Maximum door weight:	100kg
Maximum door width:	1000mm
Maximum door thickness:	35-68mm*

* For doors between 35-44mm use an alternative to standard Flushbolt

APPLICATIONS

Securefold is the ultimate in exterior folding systems and opens up design to a wealth of new possibilities. The Securefold system has been designed to maximise the flexibility of a room's living space, removing barriers and enabling the user to have an indoor/outdoor experience by fully opening up exterior walls. The system which operates with effortless ease combines the benefits of folding doors with the ability to keep out the weather with no corrosion worries. This modern, contemporary feature will increase available living space whilst allowing natural light to envelope a room.

DOOR TYPES

Residential and commercial timber doors.

TECHNICAL INFORMATION

Track:	250
Material:	Anodised aluminium (anodising 25 microns)
Standard lengths:	2000, 2500, 3000, 3500, 4000, 5000 and 6000mm
Hanger/Hinge/Guide sets:	

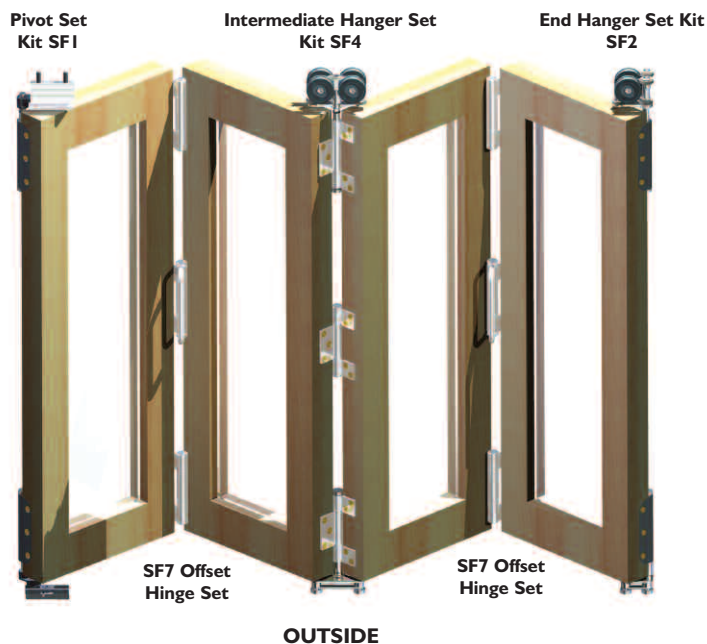
Pivot set	SF1
End hanger guide set left hand*	SF2L
End hanger guide set right hand*	SF2R
Hinge set with handle	SF3
Intermediate hanger/hinge/guide set	SF4
Hinge set inward opening	SF5
Hinge set offset inward opening	SF6
Hinge set offset outward opening	SF7
Rebated end hanger/guide set**	SF8
Intermediate pivot hinge***	SF9
Face fix handle (optional)	SF10
Aluminium threshold	SF94T

Channel:	Polypropylene guide channel	94P
	anodised aluminium support channel	94SC
	Threshold channel lengths correspond with standard track lengths.	

Seals:	Door perimeter seal brown	AQ63B
	Frame perimeter seal brown	AQ21B
	Brush seal-black	BS10B

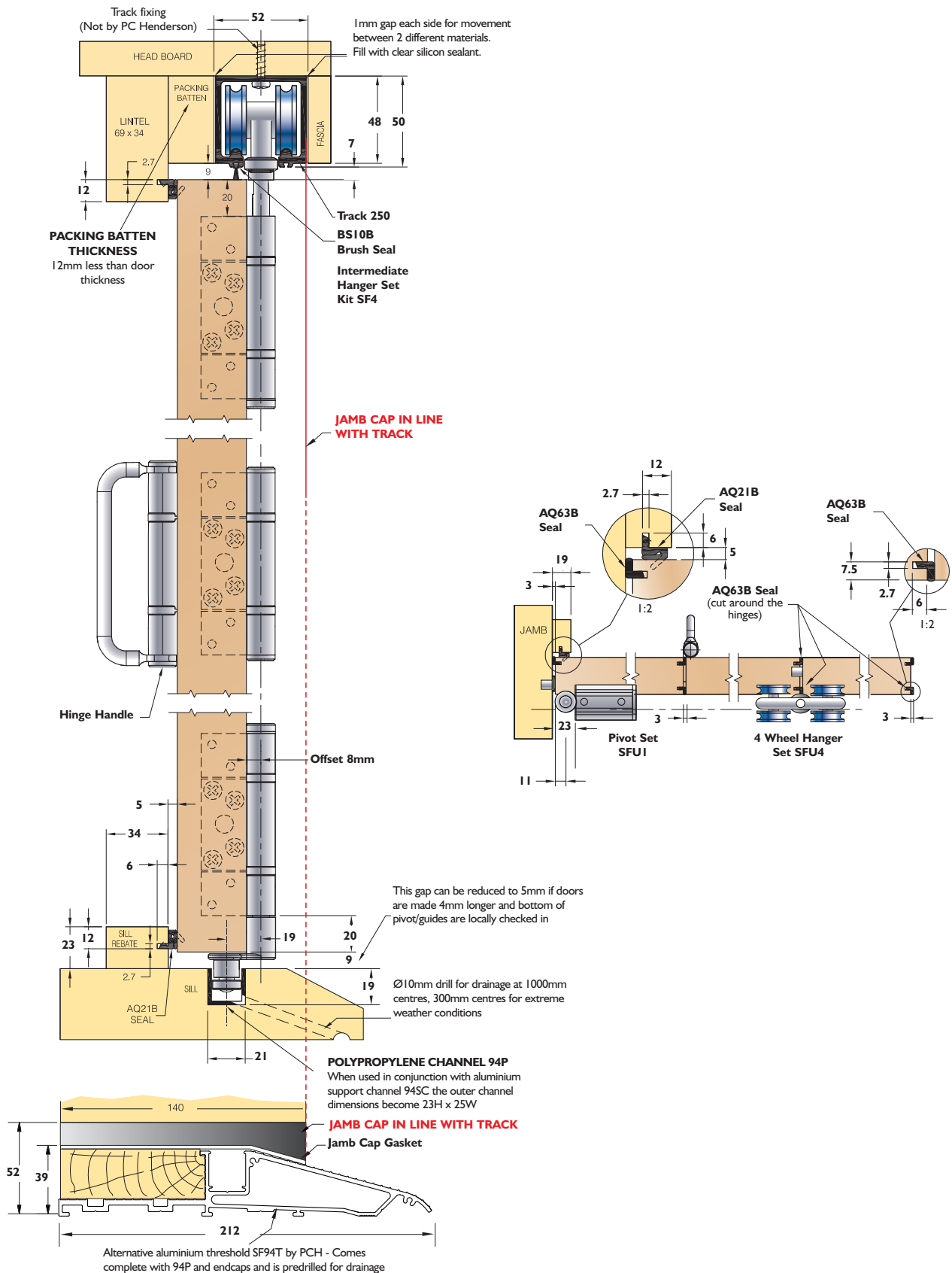
Accessories:	Lockable and non-lockable Flushbolts available
	190, 450 & 600mm in gold, satin & chrome finish

NOTE: * End hanger/guide sets are handed inside looking out.
 ** End hanger set for a pair of rebated meeting doors.
 *** Intermediate pivot hinge for doors above 2200mm





EXTERIOR FOLDING SECUREFOLD ULTRA FOR TIMBER DOORS



CAPACITY

Maximum door height:	3300mm
Maximum door weight:	100kg
Maximum door width:	1000mm
Maximum door thickness:	45-68mm

APPLICATIONS

Securefold Ultra has been tested to the European security standard BS EN 1627:2011, British standard PAS24 and Secured by Design as endorsed by the Association of Chief Police Officers (ACPO). They acknowledge quality security products ensuring the enhanced Ultra system meets the requirements to be classified as burglar resistant, when used in conjunction with YS170 multipoint lock. The additional components featured on Securefold Ultra all work together to give uncompromised security and weather resistance unlike any other system currently on the market today.

- Enhanced anti-tamper screw system.
- Unique, inter-locking attack resistant hinges.
- 3 points of locking.
- Extruded aluminium flushbolt incorporating 10mm diameter 316 stainless steel bolt.

DOOR TYPES

Residential and commercial timber doors.

TECHNICAL INFORMATION

Track:	250
Material:	Anodised aluminium (anodising 25 microns)
Standard lengths:	2000, 2500, 3000, 3500, 4000, 5000 and 6000mm
Hanger/Hinge/Guide sets:	

	Pivot set	SFU1
	End hanger guide set left hand*	SFU2L
	End hanger guide set right hand*	SFU2R
	Hinge set with handle	SF3
	Intermediate hanger/hinge/guide set	SFU4
	Hinge set inward opening	SF5
	Hinge set offset inward opening	SF6
	Hinge set offset outward opening	SF7
	Rebated end hanger/guide set**	SF8
	Intermediate pivot hinge***	SFU9
	Face fix handle (optional)	SF10
	Aluminium threshold	SF94T
Channel:	Polypropylene guide channel	94P
	anodised aluminium support channel	94SC
	Threshold channel lengths correspond with standard track lengths.	
Seals:	Door perimeter seal brown	AQ63B
	Frame perimeter seal brown	AQ21B
	Brush seal-black	BS10B
Accessories:	Lockable flushbolts available 190, 450 & 600mm in gold, satin & polished chrome finish	

NOTE:

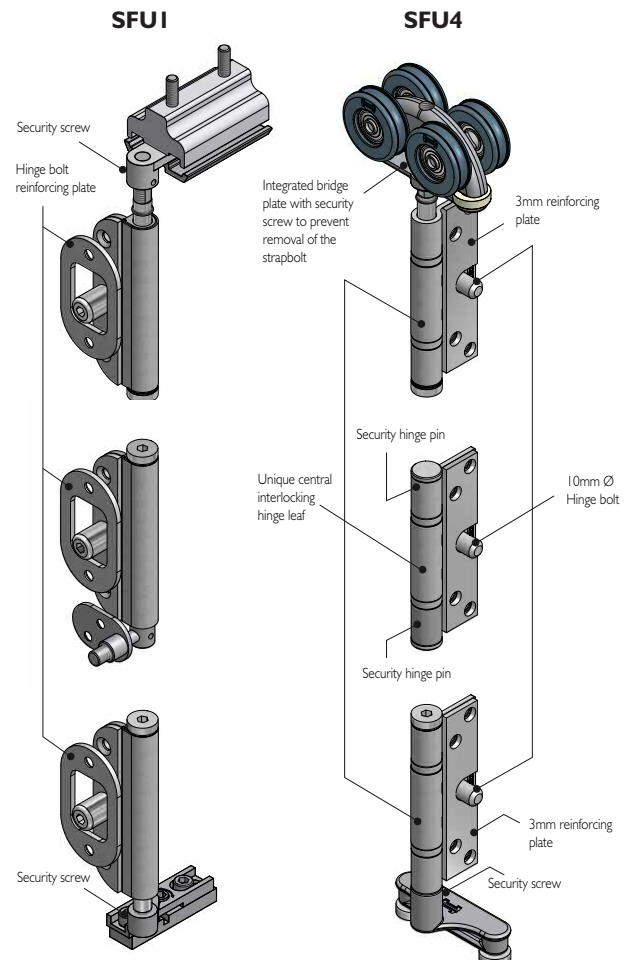
- * End hanger/guide sets are handed inside looking out.
- ** End hanger set for a pair of rebated meeting doors.
- *** Intermediate pivot hinge for doors above 2200mm



Secured by Design

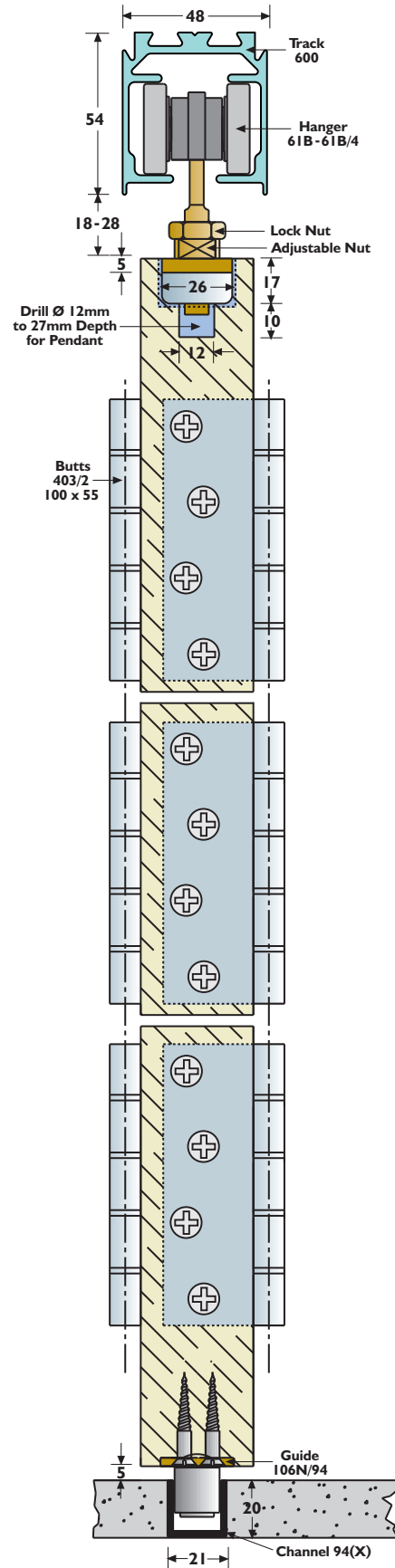


Official Police Security Initiative





PACER INTERIOR CENTREFOLD FOR TIMBER DOORS



CAPACITY

Maximum door weight:	35kg (61B hanger) 75kg (61B/4 hanger)
Maximum door height:	2700mm
Maximum door width:	900mm
Door thickness:	35mm-44mm

APPLICATIONS

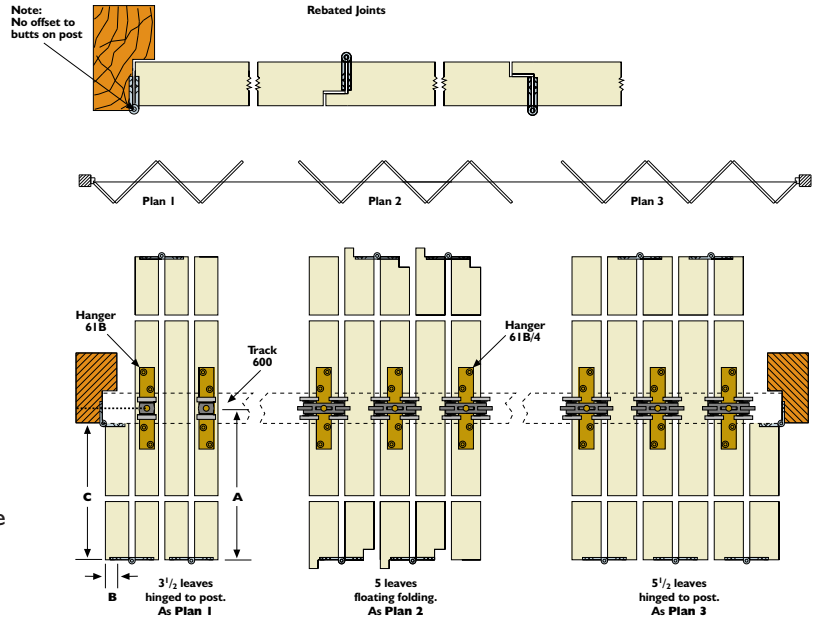
Top-hung Pacer gear and fittings for centre folding timber partition doors. Leaves are hung centrally and can fold to one or both sides. For applications hinged to the jamb, 3 1/2, 5 1/2 or 7 1/2 leaves can be used with the half-leaf hinged to the jamb. For best operation of floating units, 5, 7 or 9 leaves should be used. Any access door should be hinged separately to the jamb.

DOOR TYPES

Residential and commercial timber doors.

TECHNICAL INFORMATION

Track:	Anodised aluminium & mill finish options Available in 2000mm, 2500mm, 3000mm, 3500mm, 4000mm and 6000mm lengths	600
Brackets:	Face fix (fixed at 500mm intervals) Joining bracket	1B 1BX
Hangers:	Two-wheeled hanger Four-wheeled hanger	61B 61B/4
Guides:	Nylon guide roller	106N/94
Guide Channel:	Brass Aluminium Aluminium threshold/guide channel 94 channel available in 1500mm and 3000mm lengths. 94X channel available in 1500mm, 2000mm, 2500mm, 3000mm lengths. Aluminium threshold available in 2000mm, 2500mm, 3000mm, 3500mm, 4000mm and 6000mm lengths.	94 94X 94T
Hinges:	Butt hinges - 100x55	403/2
Accessories:	Flushpull Flushbolts Narrow bolt and keep	400 SF190/450/600 F3715 & F3734

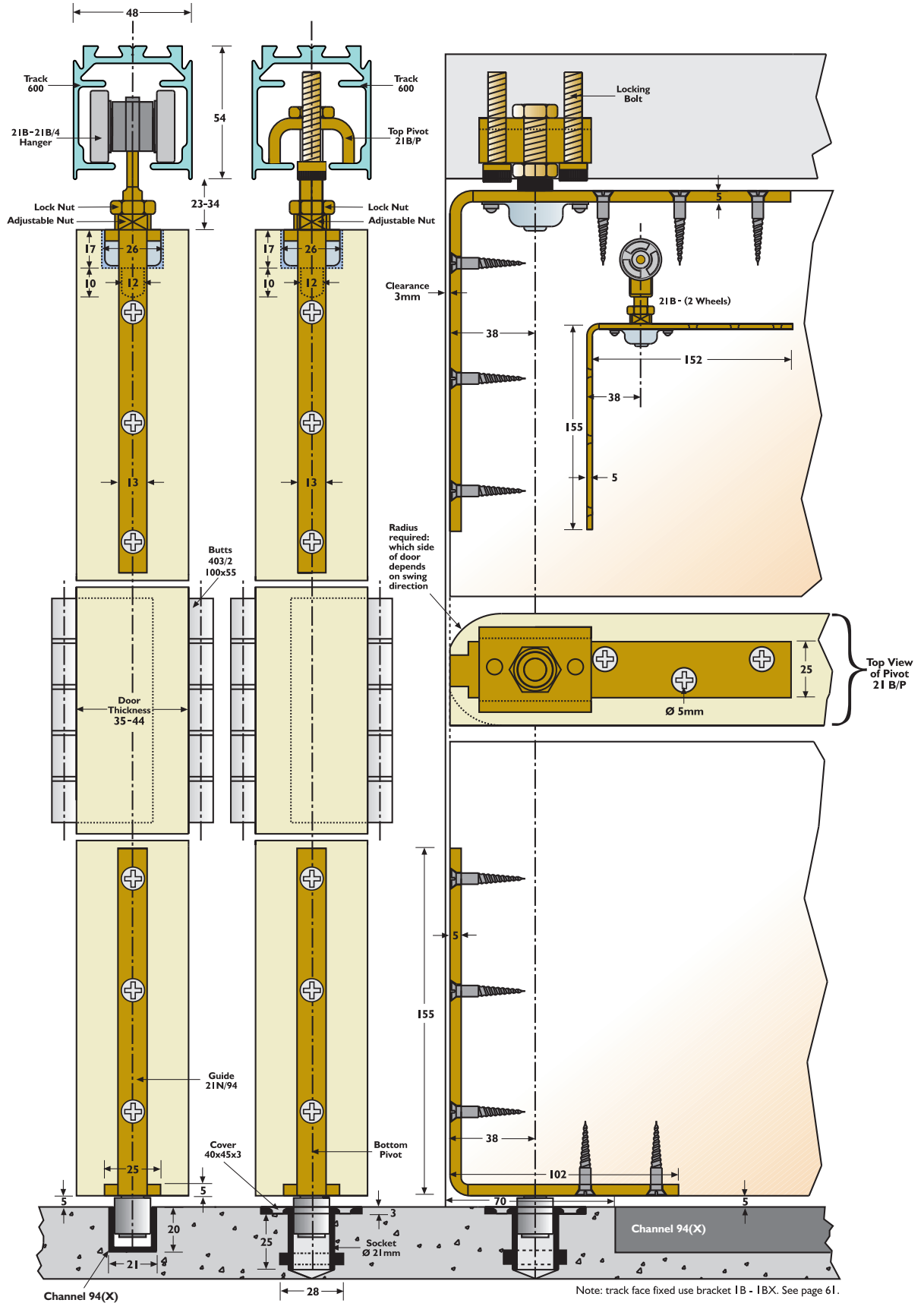


All full leaves are of equal width.
A pivoting half-leaf (dimension C) is half the width of a full leaf (dimension A), less half of the leaf thickness (dimension B).





PACER INTERIOR ENDFOLD FOR TIMBER DOORS



CAPACITY

Maximum door weight:	35kg (2IB hanger)
	65kg (2IB4 hanger)
	65kg (2IBO/4 hanger)
Maximum door height:	2700mm
Maximum door width:	900mm
Door thickness:	35mm-44mm

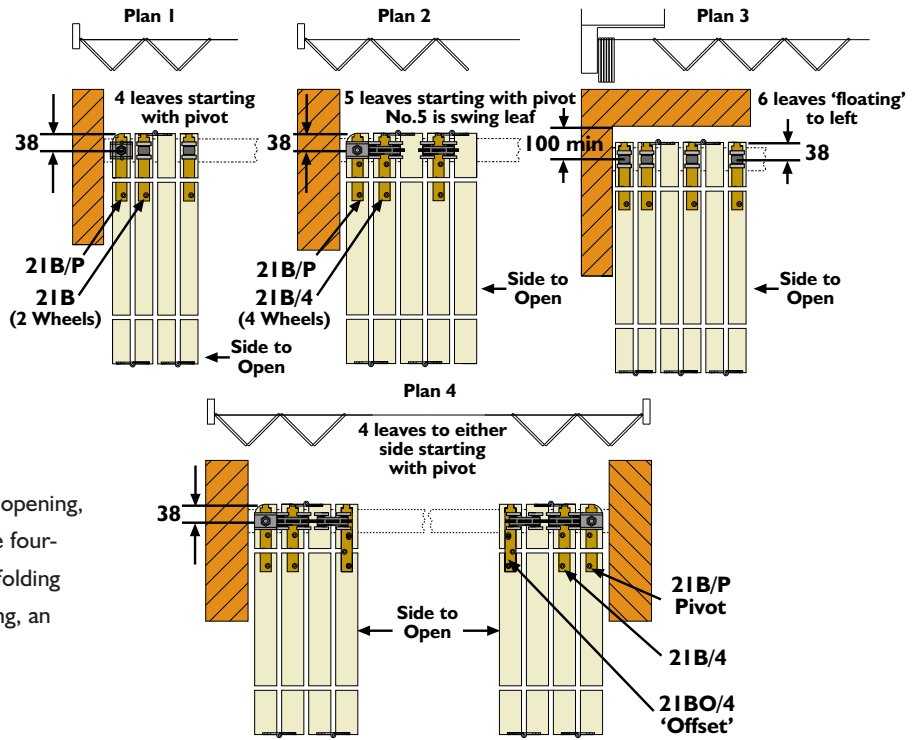
APPLICATIONS

Pacer Endfold offers both two-wheeled and four-wheeled hangers to cover a wide range of residential and commercial applications.

Leaves can be hung to the left or the right of an opening, or hung as floating units. In applications using the four-wheeled hanger with an even number of leaves folding left and right meeting in the centre of the opening, an offset hanger (2IBO/4) is required (Plan 4).

DOOR TYPES

Residential and commercial timber doors.

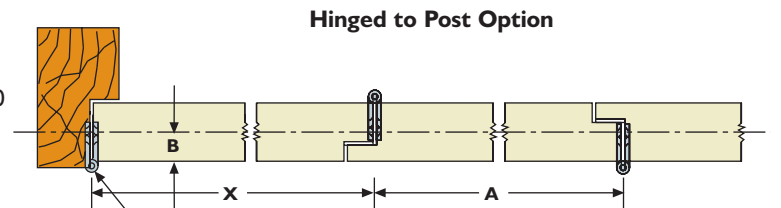


Note: Hangers and guides are to be fitted to alternate leaves only.

TECHNICAL INFORMATION

Track:	Anodised aluminium & mill finish options Available in 2000mm, 2500mm, 3000mm, 3500mm, 4000mm and 6000mm lengths	600
Brackets:	Face fix (fixed at 500mm intervals) Joining bracket	IB IBX
Hangers:	Two-wheeled hanger Four-wheeled hanger Four-wheeled offset hanger	2IB 2IB/4 2IBO/4
Pivots:	For door widths between 35-44mm	2IB/P
Guides:	Nylon end guide roller	21N/94
Guide Channel:	Brass Aluminium Aluminium threshold/guide channel	94 94X 94T
Hinges:	Butt hinges - 100x55	403/2
Accessories:	Flushpull Flushbolts Narrow bolt and keep	400 SF190/450/600 F3715 & F3734

Note: Using a pivot allows leaves to be of equal width.



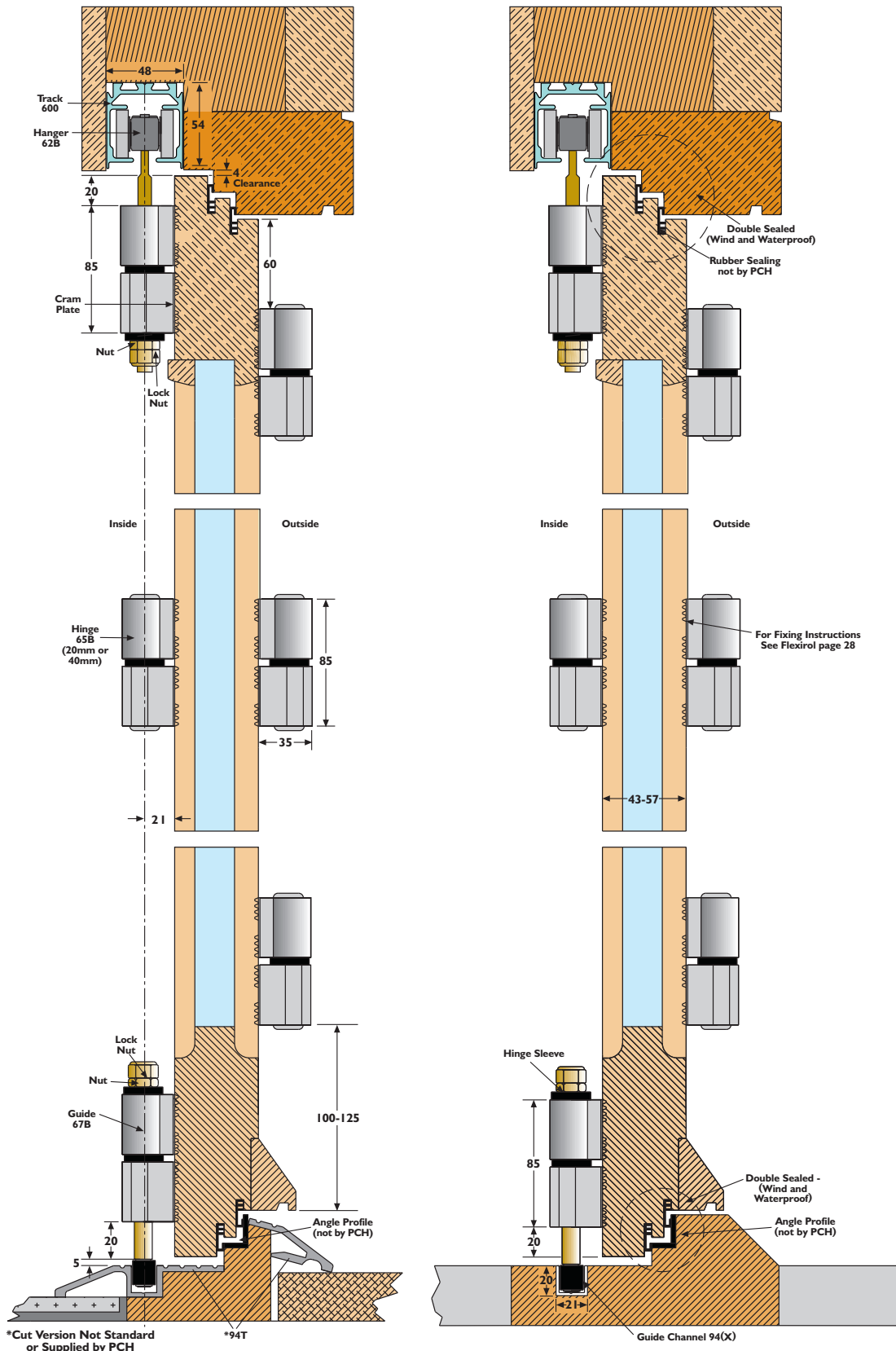
Note: Butt hinges on posts are not offset

All leaves are of equal width except the leaf hinged to the post. The dimension for the leaf hinged to the post (X) is, A, less B (half the leaf thickness), less 38mm.

$$\text{Formula: } X = (A - B) - 38\text{mm}$$



PACER EXTERIOR ENDFOLD FOR TIMBER DOORS



CAPACITY

Maximum door weight:	65kg
Maximum door height:	3000mm
Maximum door width:	900mm
Door thickness:	35mm-50mm

APPLICATIONS

Top-hung Pacer gear for end folding exterior doors in timber. Pacer Endfold offers four-wheeled hangers with offset option to cover a wide range of residential and commercial applications. In applications using the four-wheeled hanger with an even number of leaves folding left and right meeting in the centre of the opening, an offset hanger is required.

DOOR TYPES

Residential and commercial timber doors.

TECHNICAL INFORMATION

Track: Anodised aluminium & mill finish options
Available in 2000mm, 2500mm, 3000mm, 3500mm, 4000mm and 6000mm lengths

Brackets: Face fix (fixed at 500mm intervals)
Joining track

Hangers: Intermediate hanger for timber doors with 148mm strapbolt, no hinge
End hanger for timber doors with 104mm strapbolt, no hinge
Offset end hanger for all doors with 114mm strapbolt, no hinge

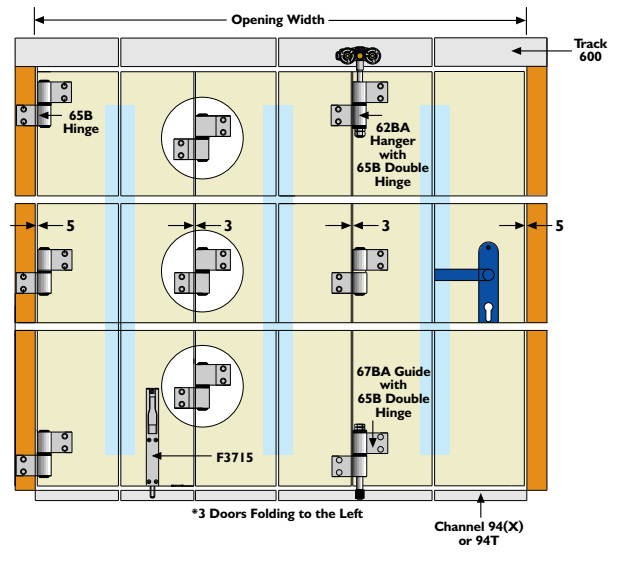
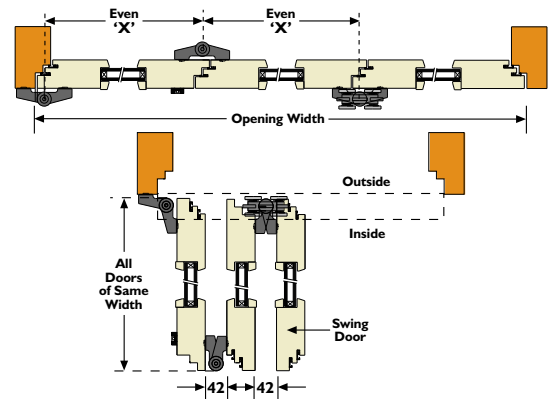
Guides: Intermediate guide for timber doors with 150mm spindle, no hinge
End guide for timber doors with 110mm spindle, no hinge

Guide Channel: Brass
Aluminium
Aluminium threshold/guide channel

Hinges:† 20mm single hinge for timber doors
20mm double hinge for timber doors
40mm single hinge for timber doors
40mm double hinge for timber doors
20-40mm double hinge for timber doors

Accessories: Flushpull
Flushbolts
Narrow bolt and keep
Aluminium door mounting kit

† Refer to page 40 for hinge installation.



600

1B

1BX

62BA/148

63BA/104

63BOA/114

67BA/150

68BA/110

94

94X

94T

65B/20/1

65B/20

65B/40/1

65B/40

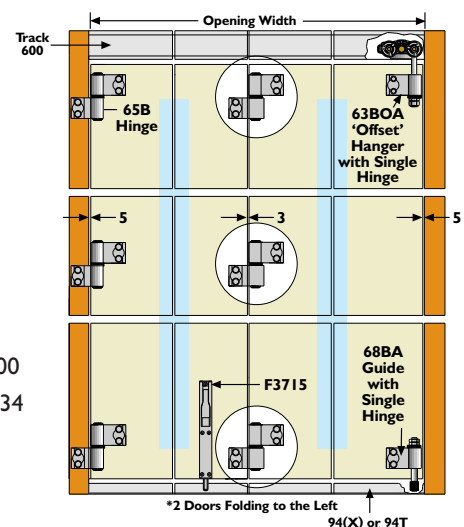
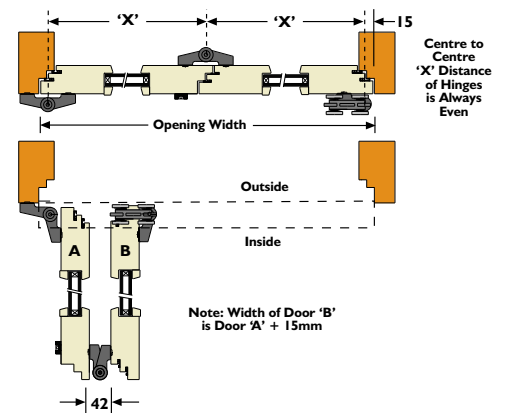
65B/20-40

400

SF190/450/600

F3715 & F3734

60B

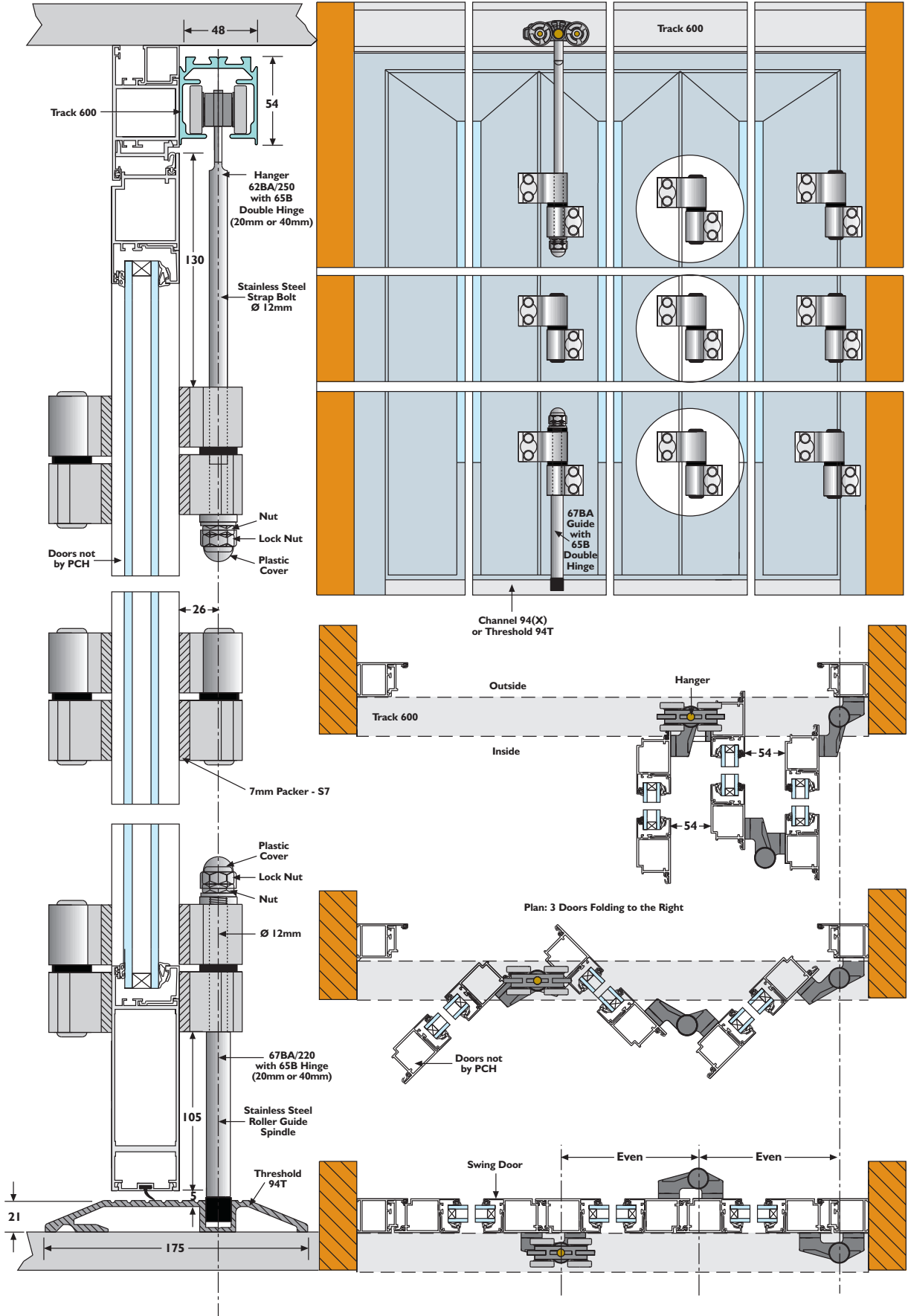


Hinges for hangers and guides must be ordered separately. Use a single hinge for end hangers and guides, double hinge for intermediate hangers and guides.

* For other options see Guide to Quantities, pages 47-54



PACER EXTERIOR ENDFOLD FOR ALUMINIUM DOORS



CAPACITY

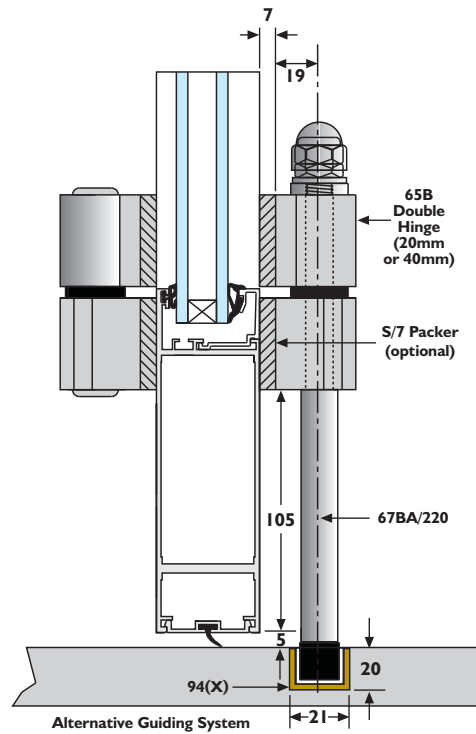
Maximum door weight:	65kg
Maximum door height:	3000mm
Maximum door width:	900mm
Door thickness:	35mm-50mm

APPLICATIONS

Top-hung Pacer gear for end folding exterior doors in aluminium. Pacer Endfold offers four-wheeled hangers with an offset option to cover a wide range of residential and commercial applications. In applications with an even number of leaves folding left and right meeting in the centre of the opening, an offset hanger is required.

DOOR TYPES

Pacer Exterior Endfold is suitable for both residential and commercial aluminium doors. **Fixing components are not supplied as standard for aluminium doors.**



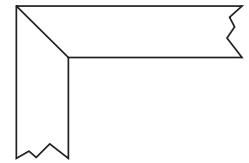
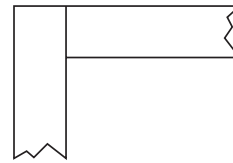
TECHNICAL INFORMATION

Track:	Anodised aluminium & mill finish options Available in 2000mm, 2500mm, 3000mm, 3500mm, 4000mm and 6000mm lengths
Brackets:	Face fix (fixed at 500mm intervals) Joining track
*Hangers:	Intermediate hanger for aluminium doors with no hinge 148mm/250mm strapbolt End hanger for aluminium doors with no hinge 104mm/205mm strapbolt Offset end hanger for all doors with no hinge 114mm strapbolt
*Guides:	Intermediate guide for aluminium doors with no hinge 150mm/220mm spindle End guide for aluminium doors with no hinge 110mm/180mm spindle
Guide Channel:	Brass Aluminium Aluminium threshold/guide channel
† Hinges:	20mm single hinge for timber doors 20mm double hinge for timber doors 40mm single hinge for timber doors 40mm double hinge for timber doors 20-40mm double hinge for timber doors
Accessories:	Flushpull Narrow bolt and keep Aluminium door mounting kit 7mm packer (optional, depending on frame and track layout)

600

Squared Joint

Mitred Joint



1B
1BX

62BA/148

62BA/250

63BA/104

63BA/205

63BOA/114

63BOA/114

67BA/150

67BA/220

68BA/110

68BA/180

94

94X

94T

65B/20/1

65B/20

65B/40/1

65B/40

65B/20-40

400

F3715 & F3734

60B

S/7



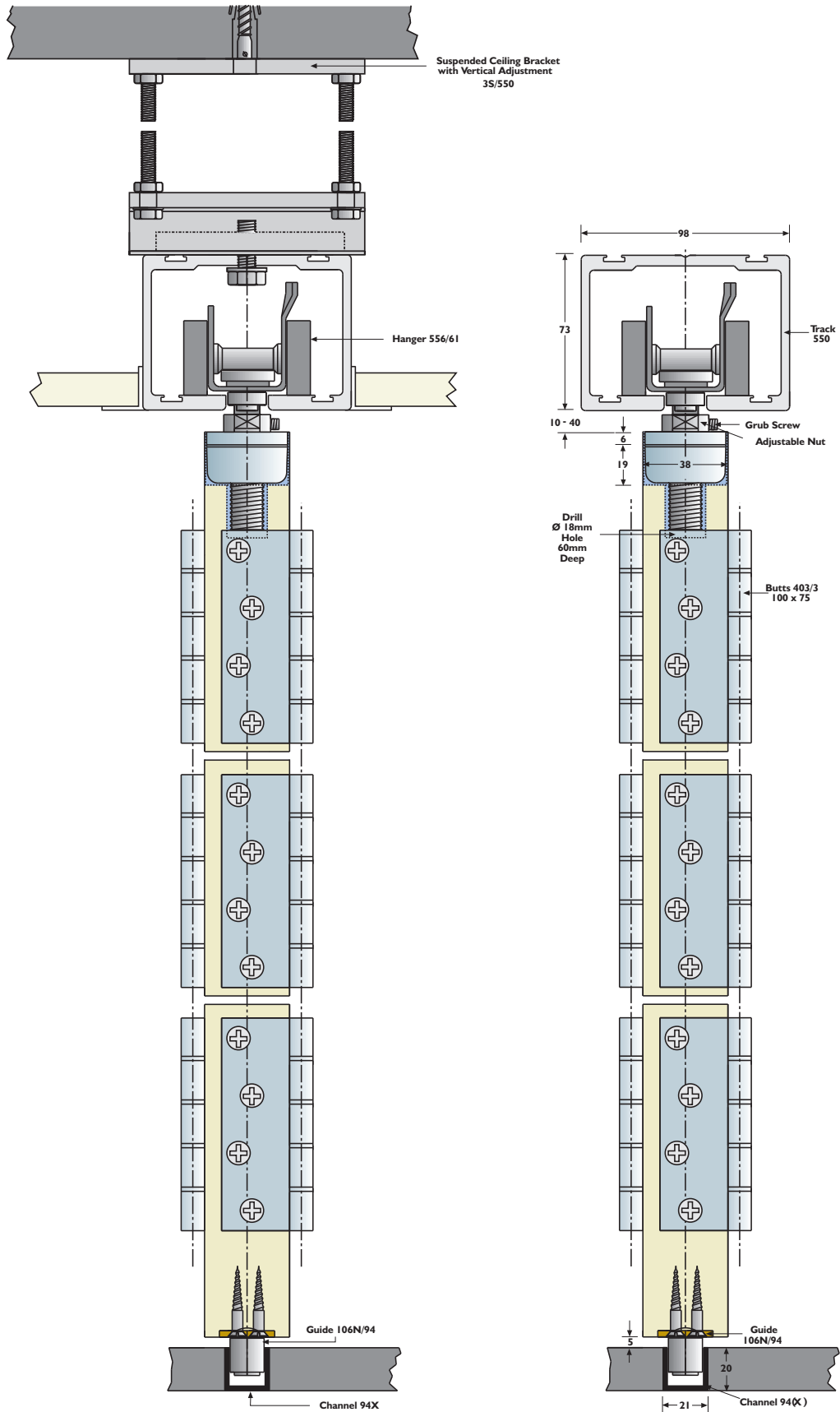
* All with stainless steel strapbolt/spindle.

† For aluminium doors use in conjunction with a 60B mounting kit.
Consult with PCH Technical Department for extrusion compatibility.



Hinges for hangers and guides must be ordered separately.
Use a single hinge for end hangers and guides, double hinge for intermediate hangers and guides.

FLEXIROL INTERIOR CENTREFOLD FOR TIMBER DOORS



CAPACITY

- Maximum door weight: 125kg
- Maximum door height: 4500mm
- Maximum door width: 1200mm
- Door thickness: 43mm-57mm

APPLICATIONS

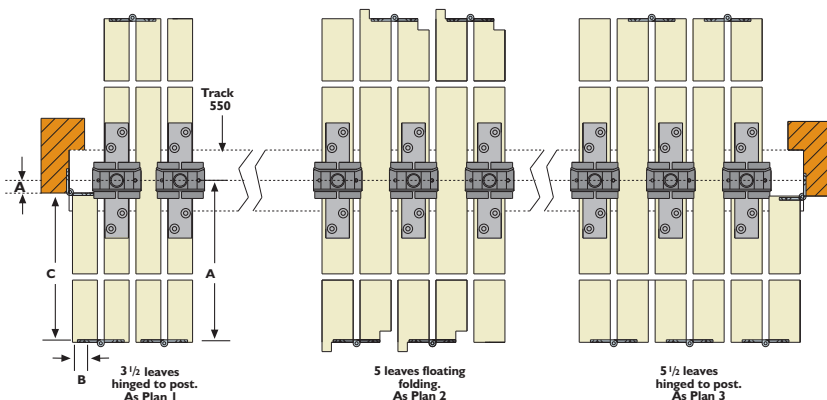
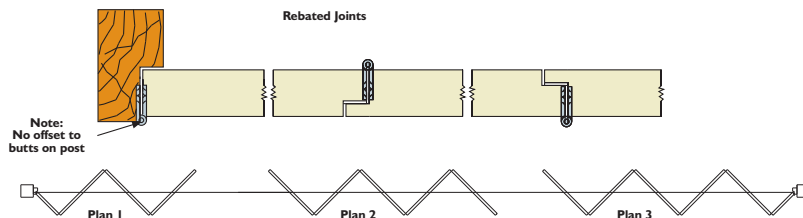
Top-hung Flexirol gear and fittings for centre folding timber partition doors. Leaves are hung centrally and can fold to one or both sides. For applications hinged to the jamb, 3 1/2, 5 1/2 or 7 1/2 leaves can be used with the half-leaf hinged to the jamb. For best operation of floating units, 5, 7 or 9 leaves should be used. Any access door should be hinged separately to the jamb.

DOOR TYPES

Heavy commercial timber doors.

TECHNICAL INFORMATION

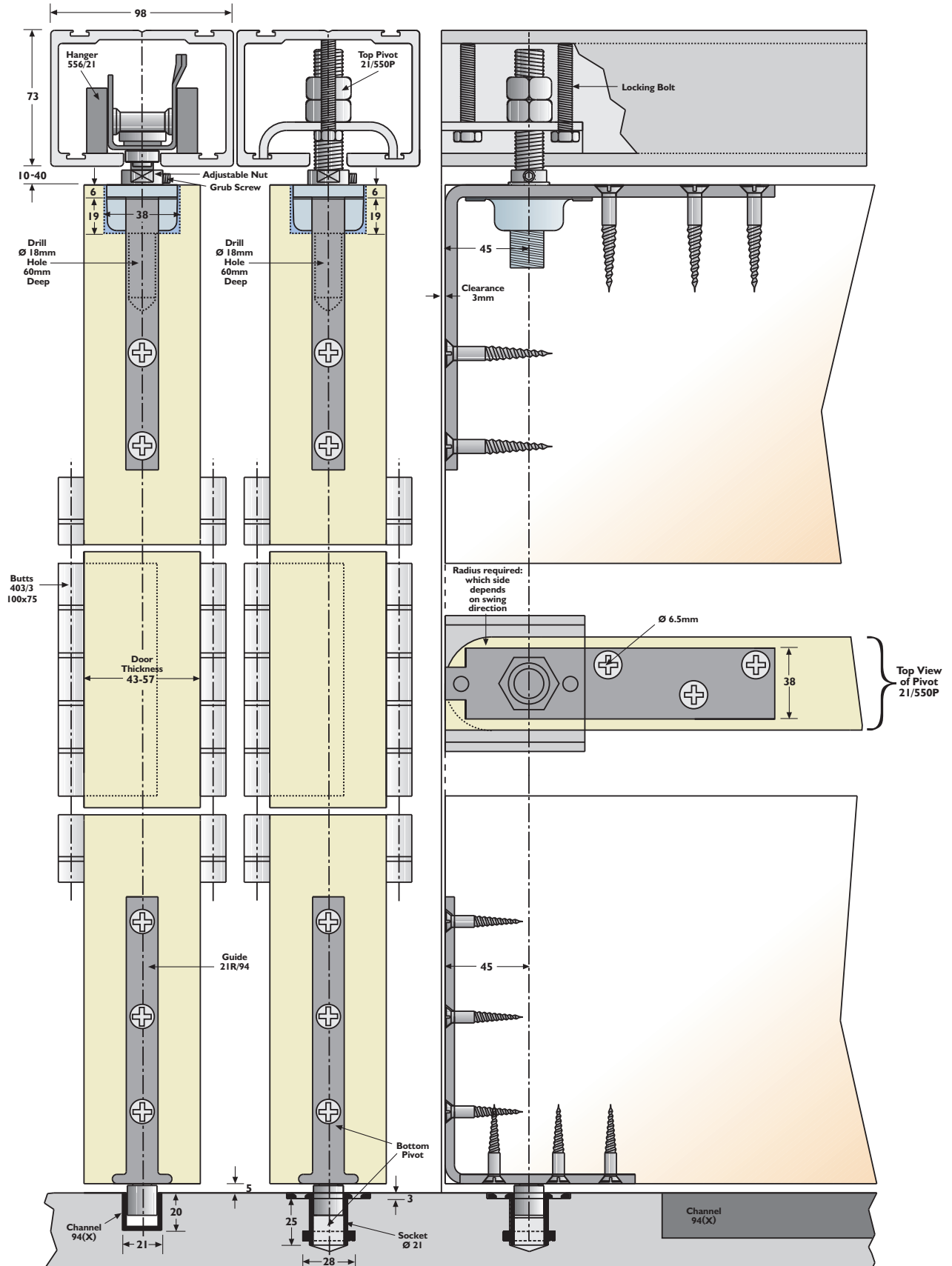
- Track: 550 (see components section for range of finishes)
- Brackets:
 - Face fix (fixed at 500mm intervals) 1A/550
 - Soffit fix 3S/550
- Hangers: Timber doors 556/61
- Guides: Nylon roller guide 106N/94
- Guide Channel: Brass 94
Aluminium 94X
Aluminium threshold/guide channel 94T
- Hinges: Butt hinges - 100x75 403/3
- Accessories:
 - Flushpull 400
 - Flushbolts SF190/450/600
 - Narrow bolt and keep F3715 & F3734



All full leaves are of equal width.
A pivoting half-leaf (dimension C) is half the width of a full leaf (dimension A), less half of the leaf thickness (dimension B).
Note: Hangers and guides are to be fitted to alternate leaves only.



FLEXIROL INTERIOR ENDFOLD FOR TIMBER DOORS



CAPACITY

Maximum door weight:	125kg
Maximum door height:	4500mm
Maximum door width:	1200mm
Door thickness:	43mm-57mm

APPLICATIONS

Top-hung Flexirol gear and fittings for end folding timber partition doors. Leaves can be hung to the left or right of an opening or hung as floating units.

DOOR TYPES

Heavy commercial timber doors.

TECHNICAL INFORMATION

Track: 550 (see component section for range of finishes)

Brackets: Face fix 1A/550
(fixed at 500mm max.intervals)
Soffit fix 3S/550

Hangers: Timber doors 556/21

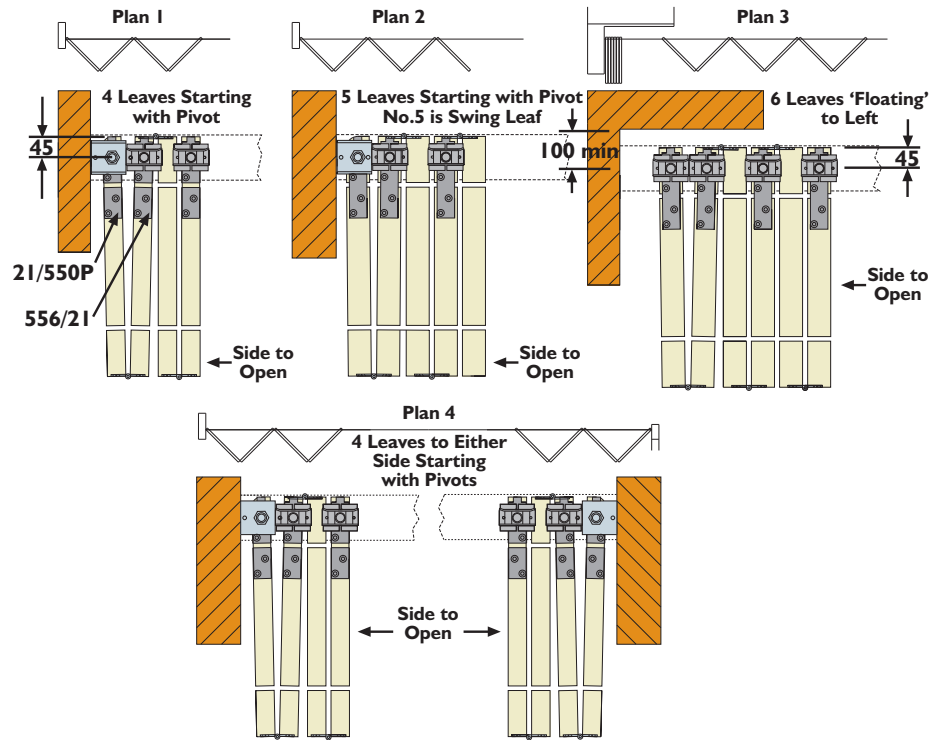
Pivots: Timber doors 21/550P

Guides: Brass end guide roller 21R/94

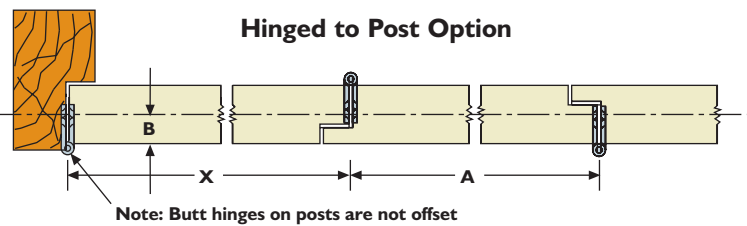
Guide Channel: Brass 94
Aluminium 94X
Aluminium threshold/guide channel 94T

Hinges: Butt hinges - 100x75 403/3

Accessories: Flushpull 400
Flushbolts SF190/450/600
Narrow bolt and keep F3715 & F3734



Note: Hangers and guides are to be fitted to alternate leaves only.



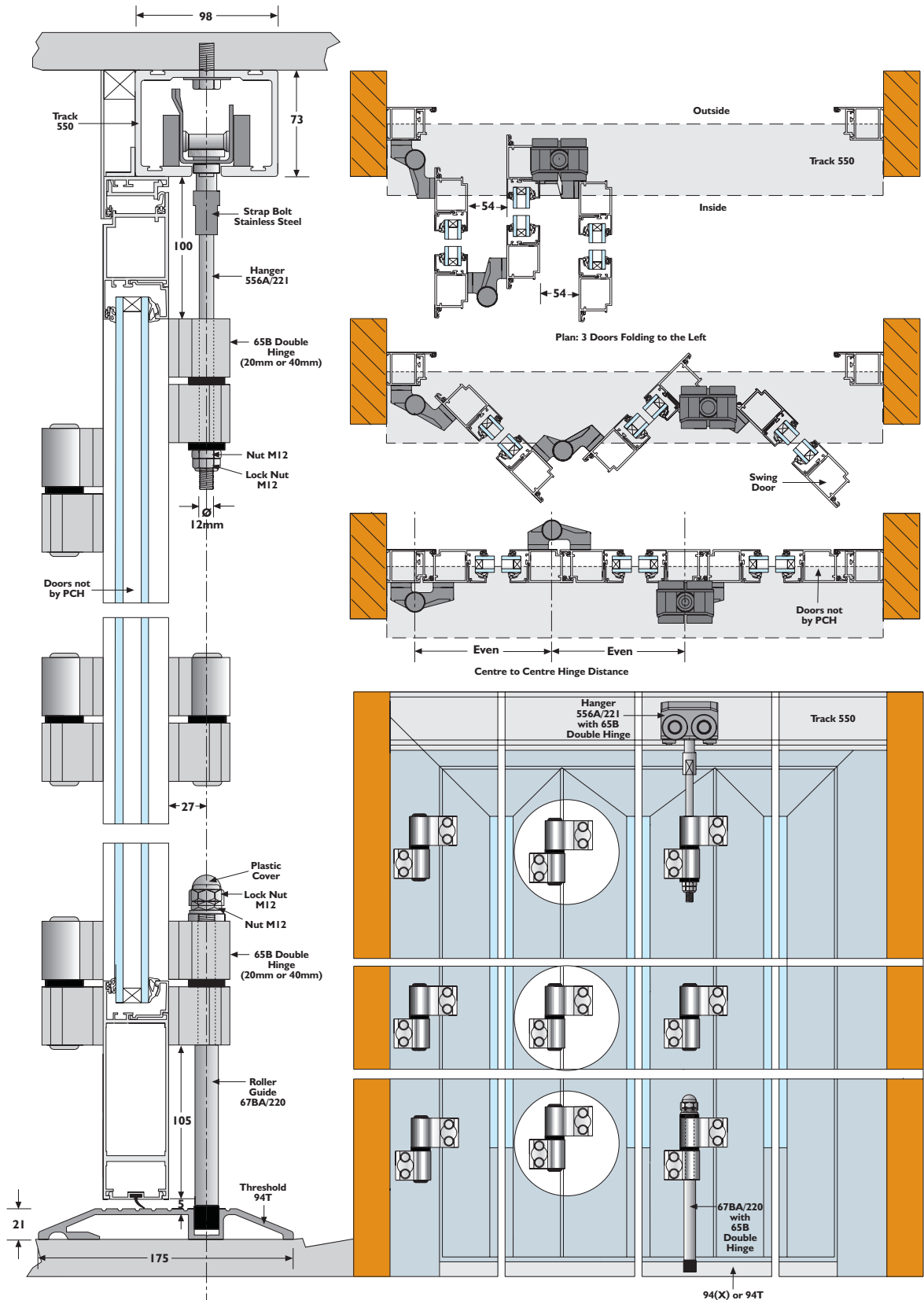
Note: Butt hinges on posts are not offset

All leaves are of equal width except the leaf hinged to the post.
The dimension for the leaf hinged to the post (X) is, A, less B (half the leaf thickness), less 45mm.

$$\text{Formula: } X = (A - B) - 45\text{mm}$$



FLEXIROL EXTERIOR ENDFOLD FOR ALUMINIUM DOORS



CAPACITY

Maximum door weight:	125kg
Maximum door height:	4500mm
Maximum door width:	1200mm
Door thickness:	43mm-57mm

APPLICATIONS

Top-hung Flexirol gear and fittings for end folding aluminium doors. Leaves can be hung to the left or right of an opening.

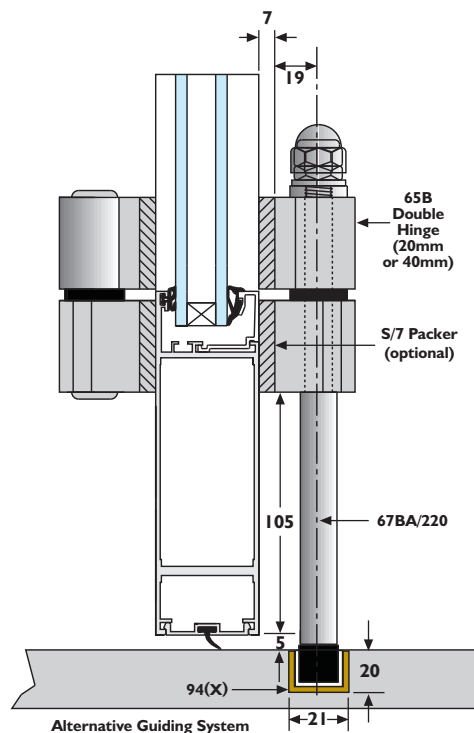
DOOR TYPES

Flexirol Exterior Endfold is suitable for aluminium doors. **Fixing components are not supplied as standard for aluminium doors.**



TECHNICAL INFORMATION

Track:	Aluminium	550
Brackets:	Face fix (fixed at 500mm intervals) Joining track	1A/550 3S/550
*Hangers:	Intermediate or end hanger for timber/ aluminium doors with 221 mm strapbolt, no hinge	556A/221
*Guides:	Intermediate guide for aluminium with 150mm spindle, no hinge End guide for aluminium doors with 110mm spindle, no hinge	67BA/220 68BA/180
Guide Channel:	Brass Aluminium Aluminium threshold/guide channel	94 94X 94T
Hinges:†	20mm single hinge for timber doors 20mm double hinge for timber doors 40mm single hinge for timber doors 40mm double hinge for timber doors 20-40mm double hinge for timber doors	65B/20/1 65B/20 65B/40/1 65B/40 65B/20-40
Accessories:	Flushpull Narrow bolt and keep 7mm packer	400 F3715 & F3734 S/7 (optional, depending on frame and track layout)



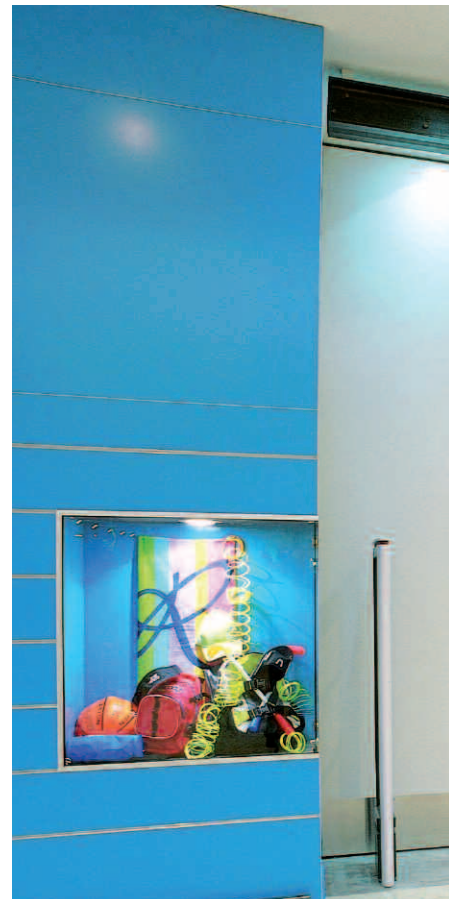
* All with stainless steel strapbolt/spindle.

† For aluminium doors use in conjunction with a 60B mounting kit.

Consult with PCH Technical Department for extrusion compatibility.



Hinges for hangers and guides must be ordered separately. Use a single hinge for end hangers and guides, double hinge for intermediate hangers and guides.



FLEXIROL MULTIDIRECTIONAL DOOR SYSTEMS

The Henderson series of multidirectional door systems offers the designer unparalleled flexibility without compromising on the practicality of the application. The Flexirol multidirectional system offers two degrees of movement to provide this flexibility.

The Flexirol system offers a choice of two hangers providing either 90° or 135° maximum movement to a maximum weight of 500kg depending on the choice of hanger.

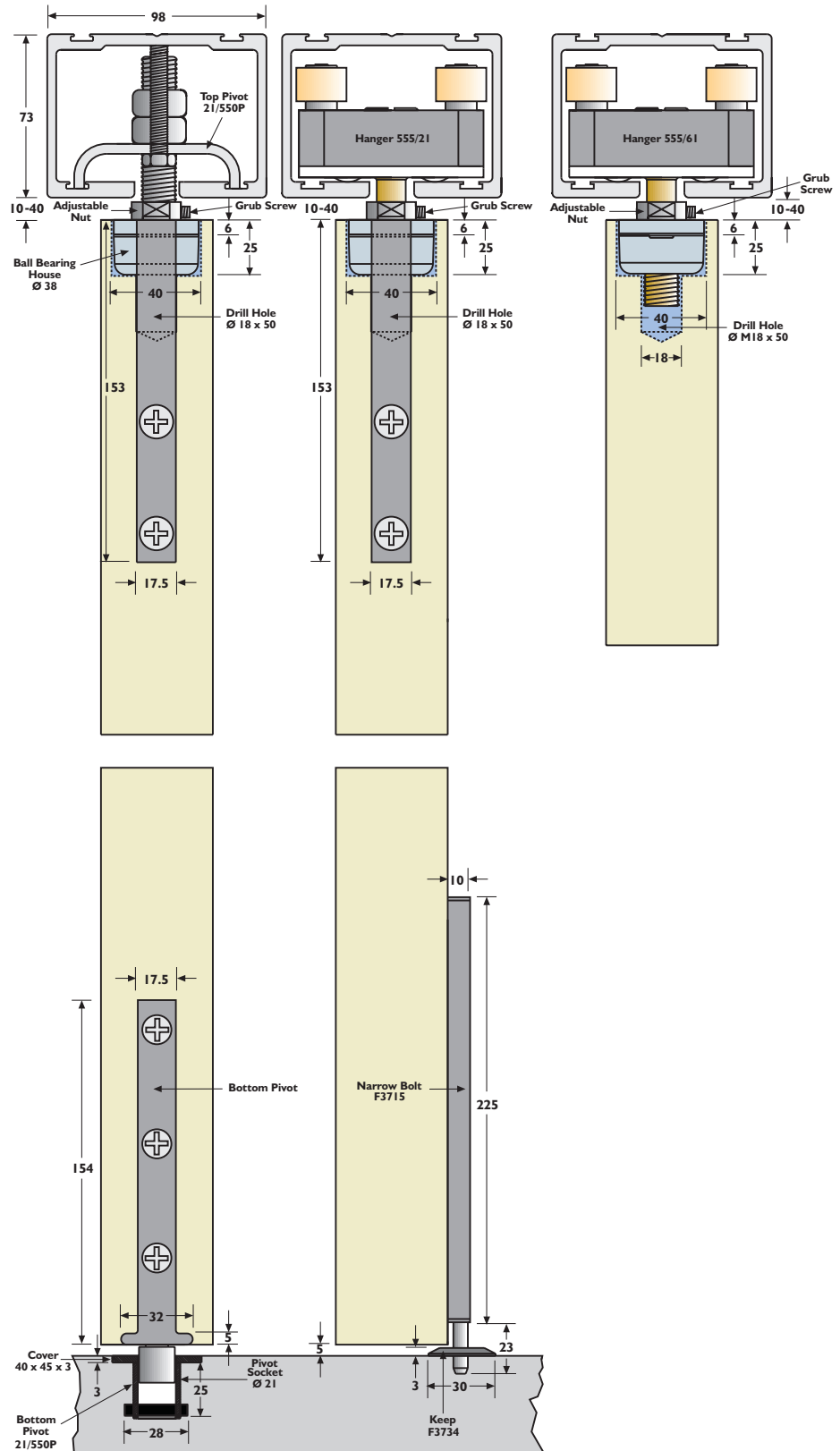
This system offers the options of curved track and track coloured to any BS colour, as well as a variety of plated finishes.

The multidirectional range is ideal for shopfronts, internal partitions, movable walls, conference rooms and any situation requiring the flexibility of a stacking system.





FLEXIROL 90° MULTIDIRECTIONAL SYSTEM FOR TIMBER AND ALUMINIUM DOORS



CAPACITY

Maximum door weight: 100kg (2 hangers per leaf)
 50kg (1 hanger per leaf)
 Maximum door height: 6000mm
 Maximum door width: 6000mm
 Door thickness: 40mm-100mm
 Maximum swing door width: 1200mm

APPLICATIONS

Lightweight partitions for internal and external applications requiring 90° movement.

DOOR TYPES

Commercial timber and aluminium doors.

TECHNICAL INFORMATION

Track: 550 (extruded aluminium)

Intersects: 'T' junction TW/550
 Cross-junction KW/550

Elbows: 90° elbow H90/550

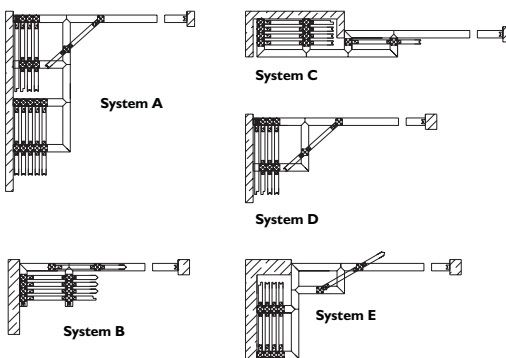
Brackets: Face fix 1A/550
 Soffit fix 3S/550

Hangers: Angle plate fixing 555/21
 Concealed fixing 555/61

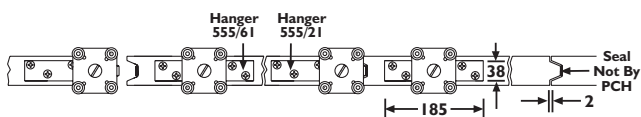
Pivots: Pivot set 21/550P

Accessories: Track stop HH3/301
 Flushpull 400
 Flushbolts SF190/450/600
 Narrow bolt and keep F3715 & F3734
 Door closers
 Floor spring closer 7410
 Transom closer 5600
 (complete with 400mm of 550 track)
 Swing/slide floor spring 7305

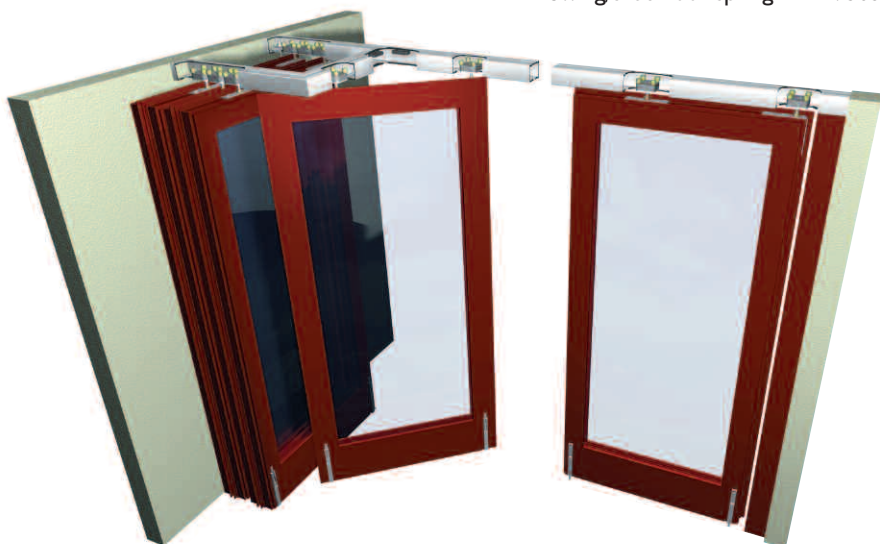
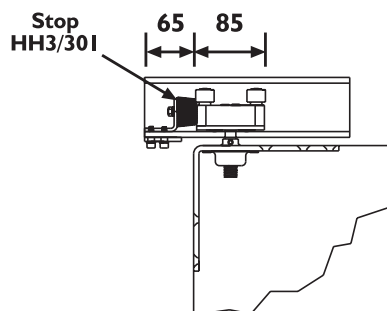
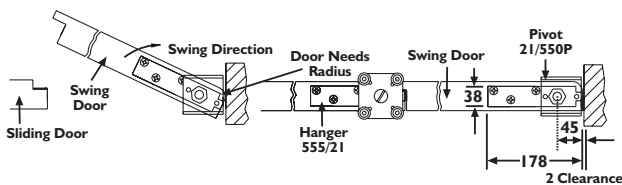
90° Configurations



Door Rebates



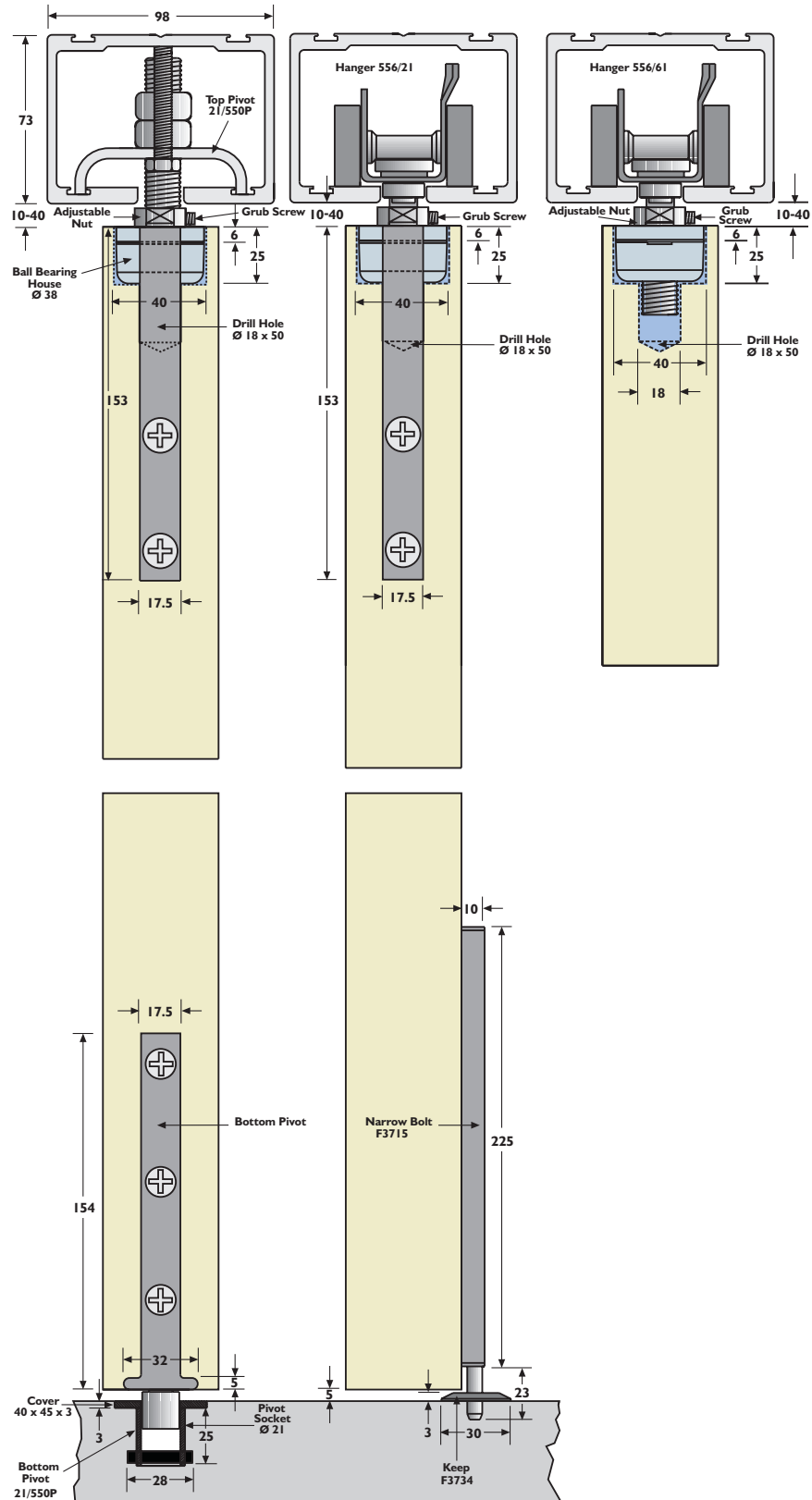
Example Rebated Doors



FLEXIROL 135°

MULTIDIRECTIONAL

SYSTEM FOR TIMBER AND ALUMINIUM DOORS



CAPACITY

Maximum door weight:	500kg (2 hangers per leaf)
	250kg (1 hanger per leaf)
Maximum door height:	6000mm
Maximum door width:	6000mm
Door thickness:	40mm-100mm
Maximum swing door width:	1200mm

APPLICATIONS

Multidirectional Flexirol is ideally suited to hotels, conference centres, shopfronts, showrooms, and other applications that requires high performance and the flexibility of 135° movement.

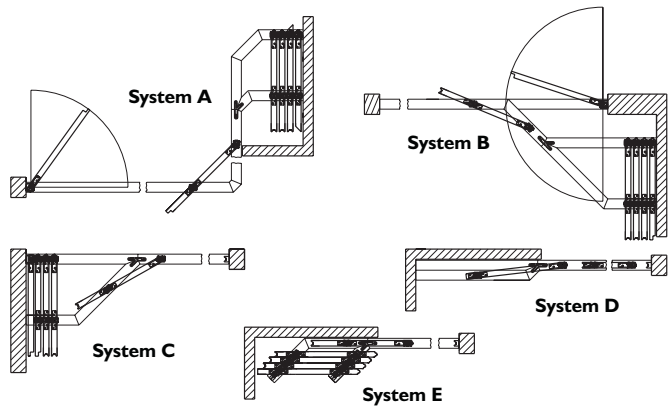
DOOR TYPES

Heavy commercial timber and aluminium doors.

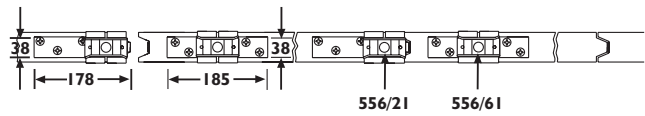
TECHNICAL INFORMATION

Track:	550 (extruded aluminium)	
Intersects:	135° right-hand	45R/550
	135° left-hand	45L/550
Elbows:	135° swept elbow	H135/550
	90° swept elbow for 135° hanger	H90C/550
Brackets:	Face fix	1A/550
	Soffit fix	3S/550
Hangers:	Angle plate fixing	556/21
	Concealed fixing	556/61
Pivots:	Pivot set	21/550P
Accessories:	Track stop	HH3/301
	Flushpull	400
	Flushbolts	SF190/450/600
	Narrow bolt and keep	F3715 & F3734
	Door closers	Floor spring closer 7410
		Transom closer 5600

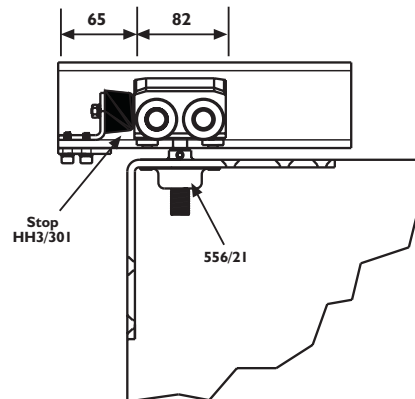
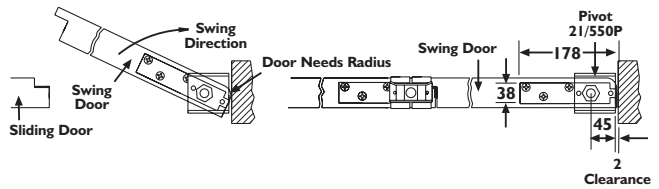
135° Configurations



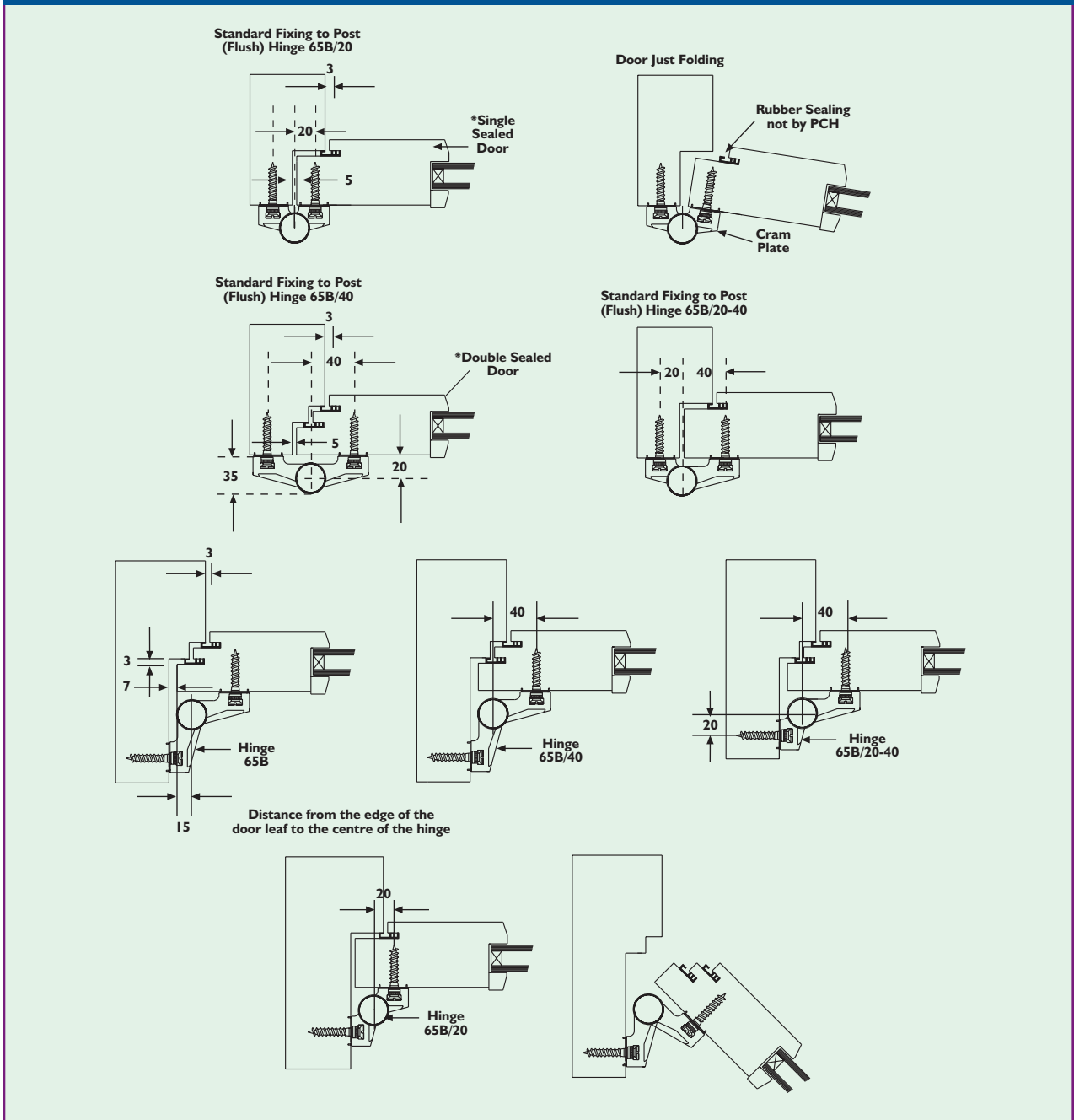
Door Rebates



Example Rebated Doors

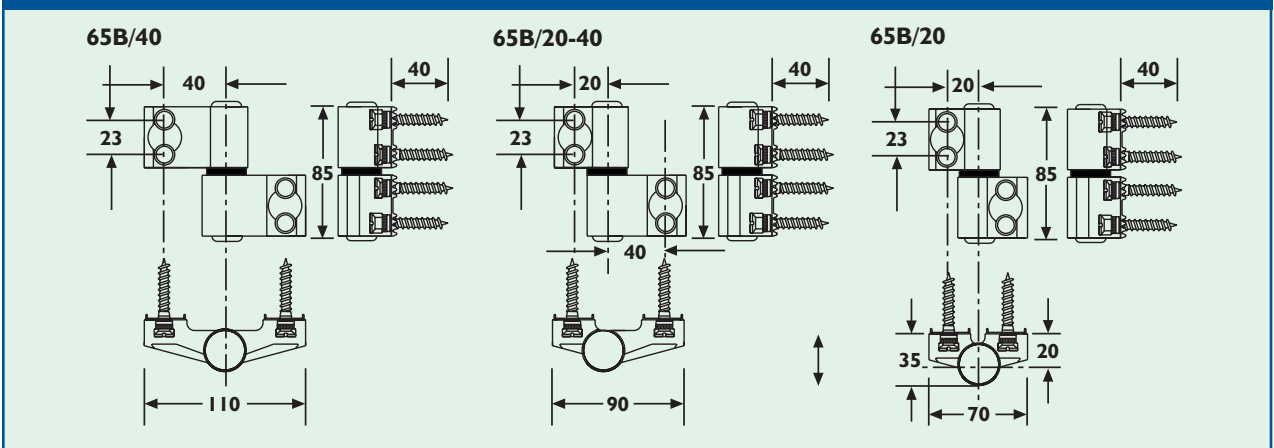


HINGE INSTALLATION



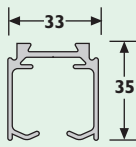
COMPONENTS

HINGES

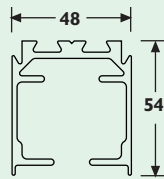


TRACK, INTERSECTS AND CURVES

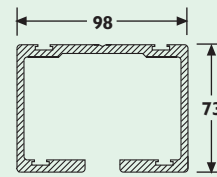
**Husky
280 A**



**Pacer
600 Track**

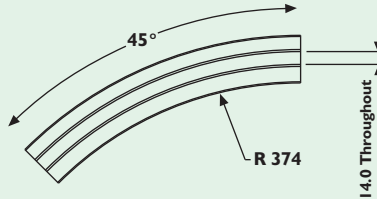


**Flexirol
550 Track**

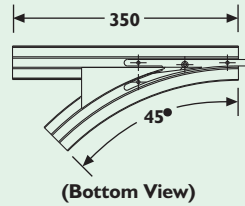


PACER CURVES/INTERSECTS (Bottom Views)

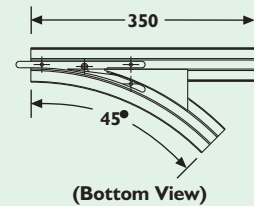
Pacer Curve 600 C



Pacer Switch 45R/600

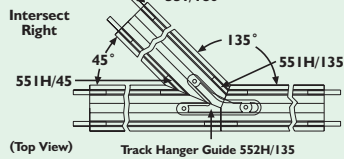


Pacer Switch 45L/600

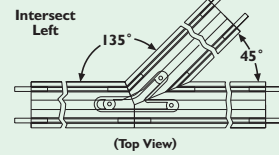


FLEXIROL 556 JUNCTIONS/INTERSECTS (Top Views)

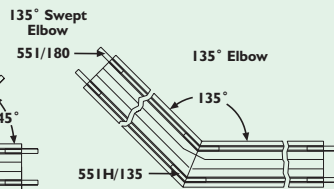
45R/550



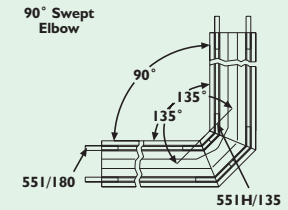
45L/550



H135/550

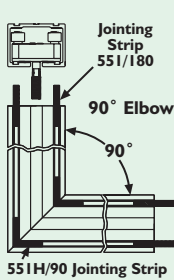


H90C/550

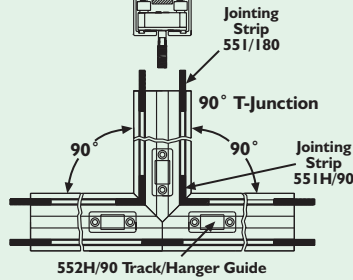


FLEXIROL 555 JUNCTIONS/INTERSECTS

H90/550



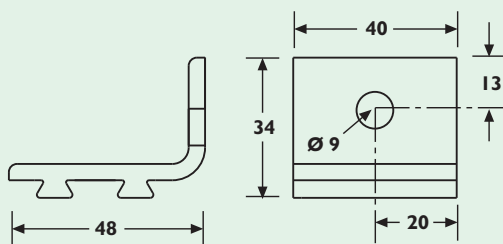
TW/550



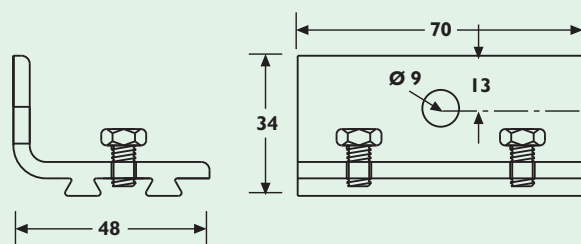
Pacer track supplied in mill finish as standard. Flexirol track supplied in mill finish and RAL 9010 as standard.

BRACKETS

**Pacer
Bracket IB**

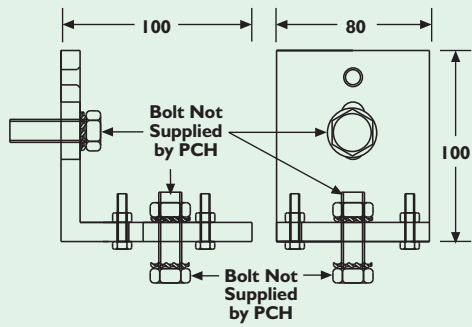


**Pacer
Jointing Bracket IBX**

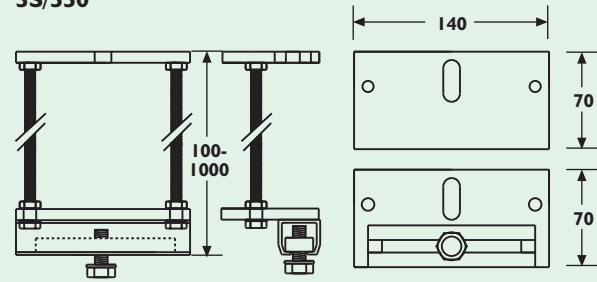


BRACKETS

**Flexirol
1A/550**

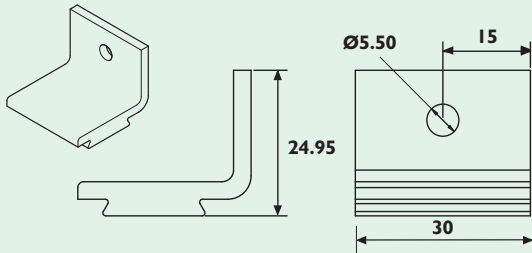


**Flexirol
3S/550**

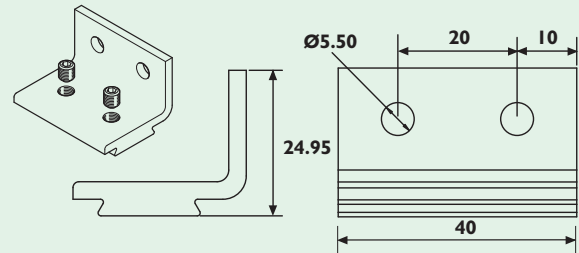


Husky

Face Fix Bracket 28IAN



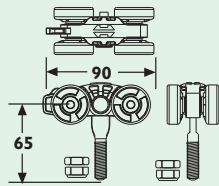
Jointing Bracket 28IAX



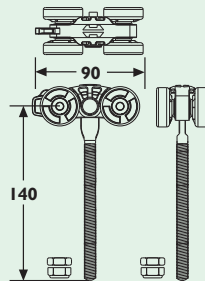
HANGERS

PACER HANGERS

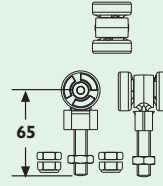
56B



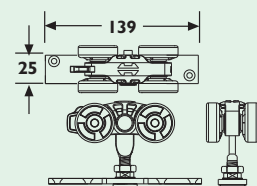
56BX



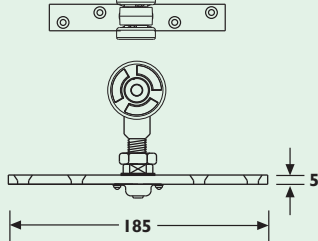
56½B



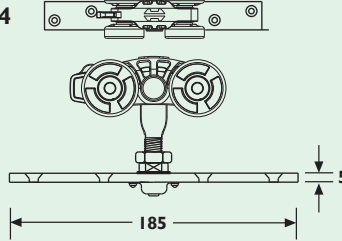
57B



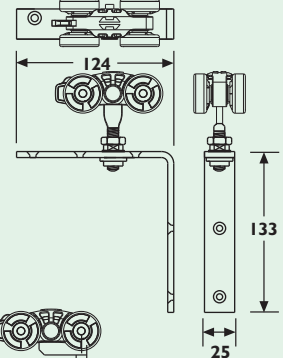
61B



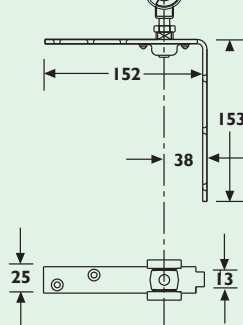
61B/4



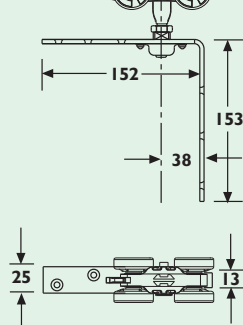
52B



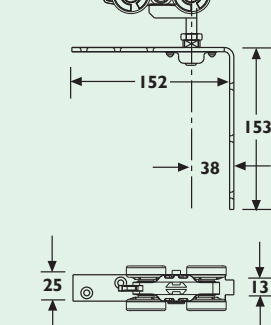
21B



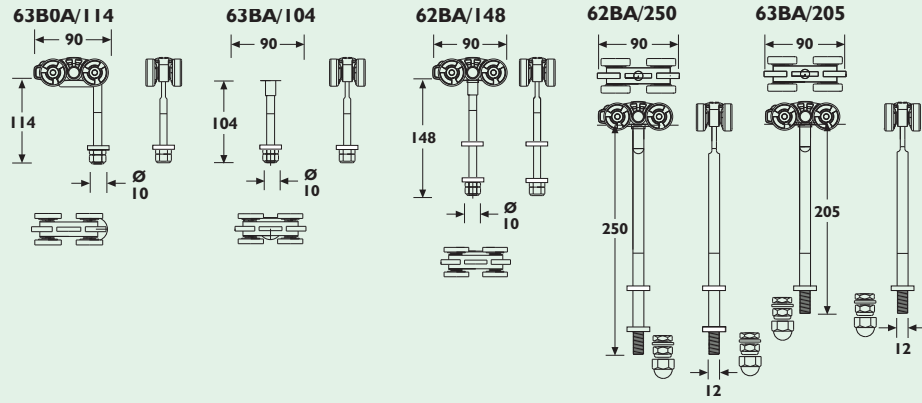
21B/4



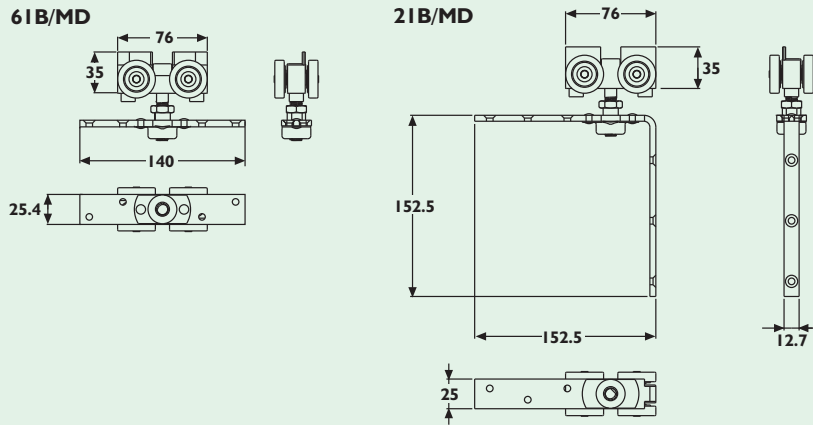
21B0/4



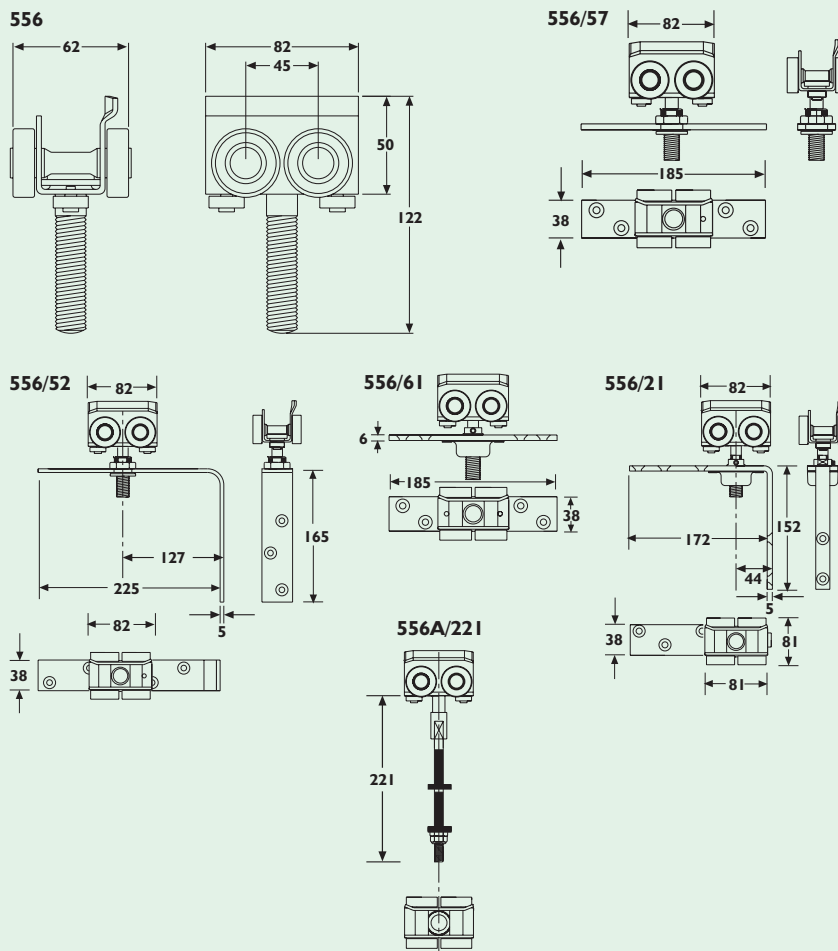
PACER HANGERS



PACER MULTIDIRECTIONAL HANGERS

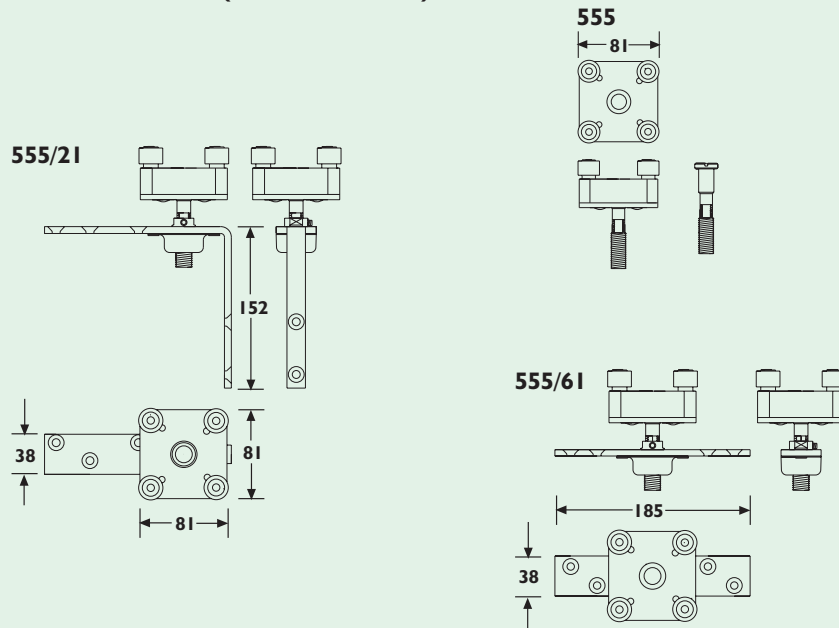


FLEXIROL HANGERS (135° movement)

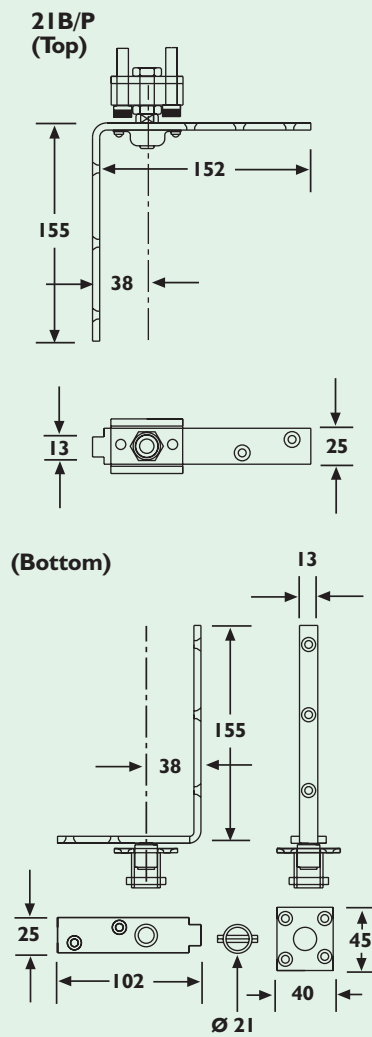


HANGERS

FLEXIROL HANGERS (90° movement)

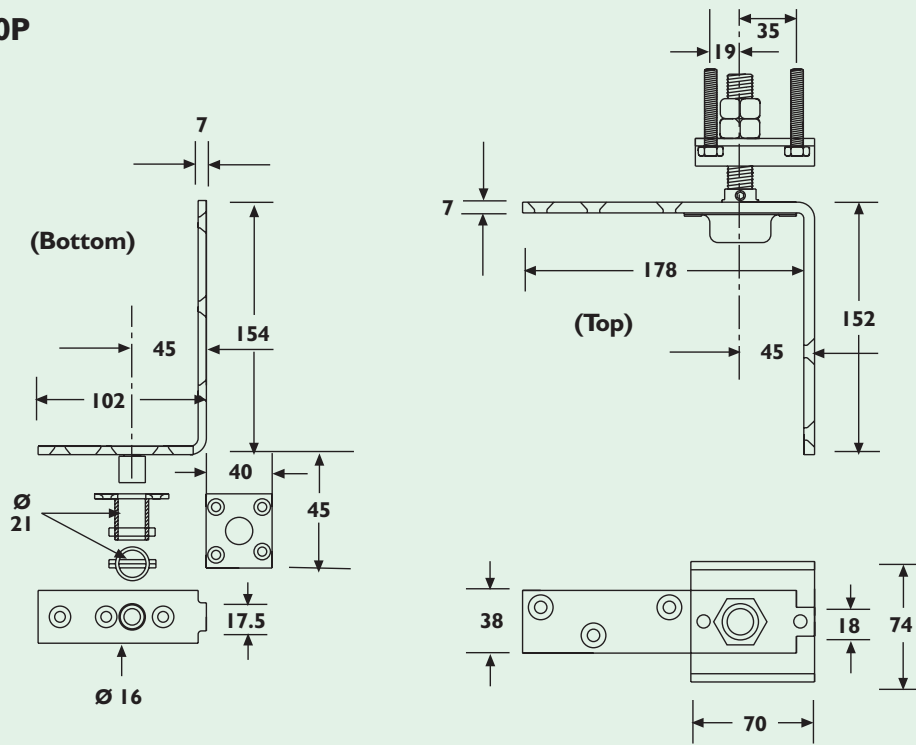


PIVOT SETS

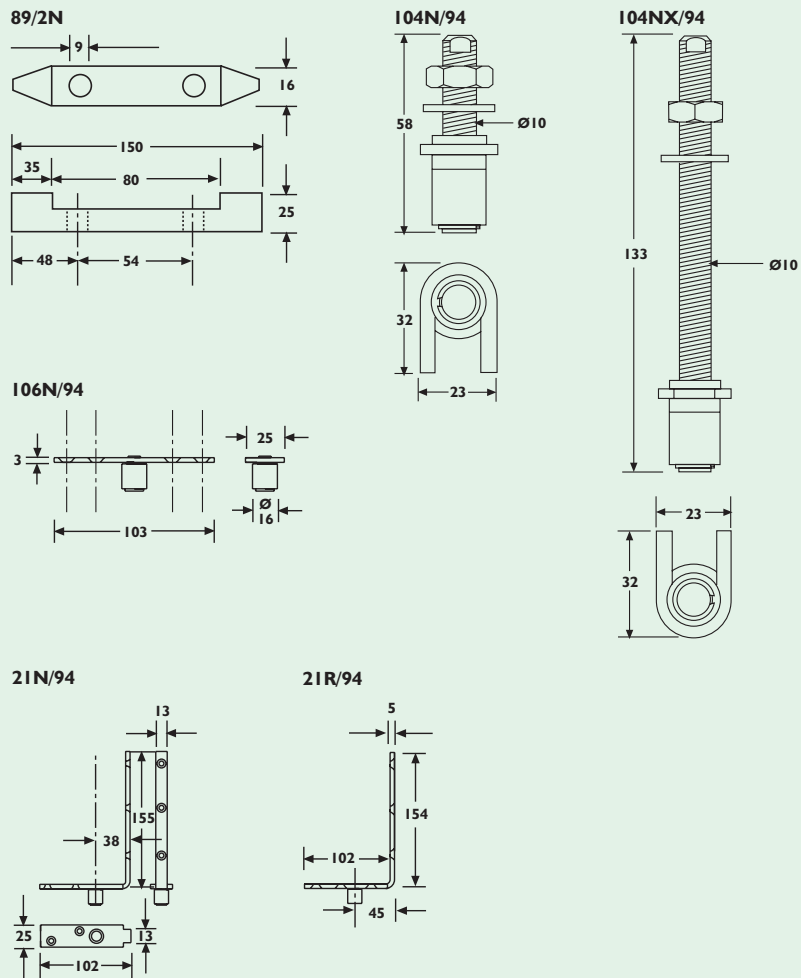


PIVOT SETS

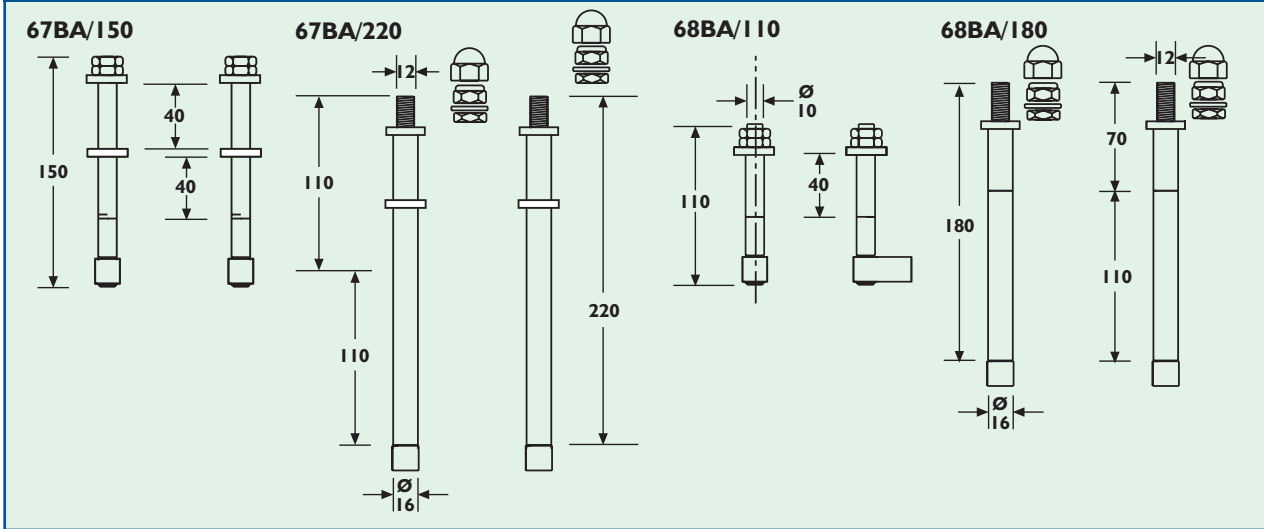
21/550P



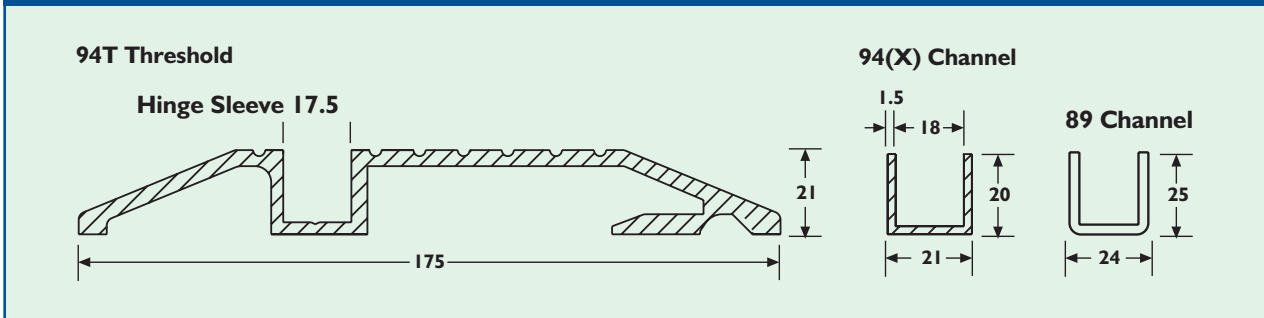
GUIDES



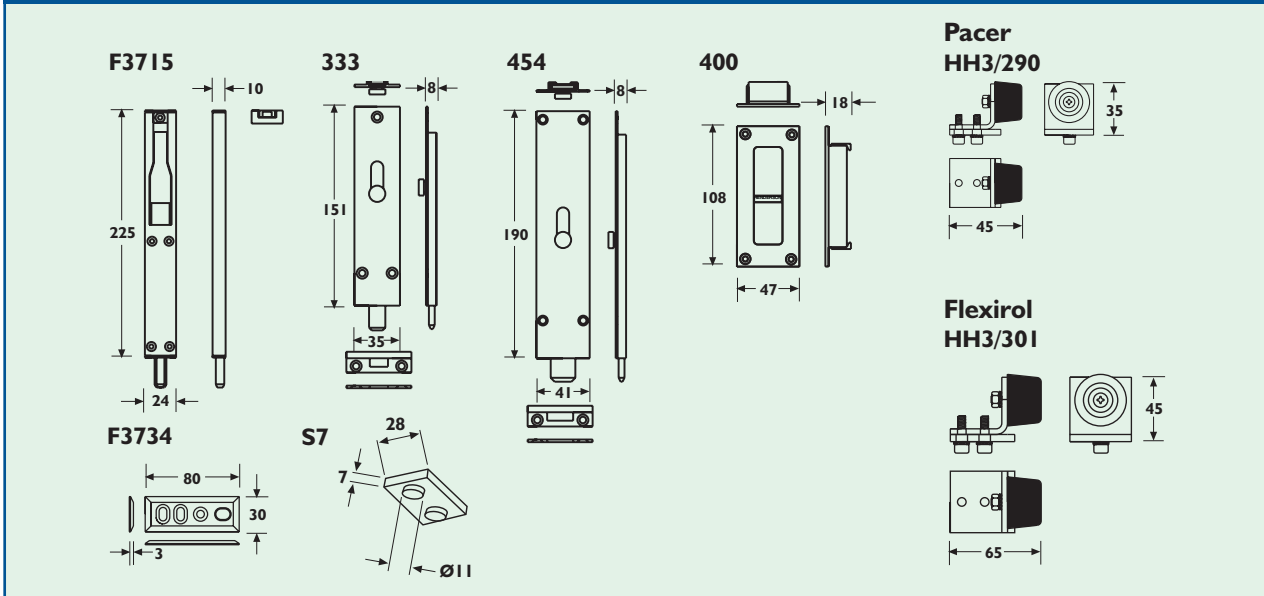
GUIDES



GUIDE CHANNEL



ACCESSORIES AND STOPS



GUIDE TO QUANTITIES

Folding doors - Folding door units consist of a number of leaves in timber or aluminium hinged together. Wide units usually slide and fold in two parts, to the right and left. Cover extra wide openings by three or more units, the centre units floating.

Brackets - The space between brackets should be a maximum of 500mm. A bracket must be fixed 50mm from each end of the track. An additional bracket should be fixed above the stacking area (i.e. above the leaves when the system is in the open position).

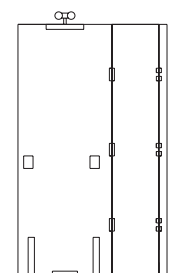
Fittings - Having selected the track, now extract the fittings and quantities shown in the relative column. Sidewall or soffit fixed brackets are available.

Track - Select the track according to the height or weight per leaf.

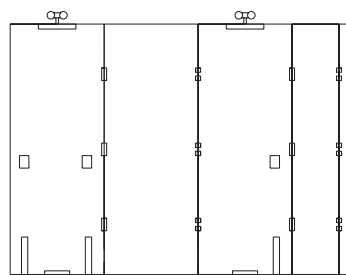
For further information on Securefold door configurations, please refer to the Securefold brochure or contact P C Henderson's technical sales team.

Figure numbers of centre folding partition fittings
For height or weight per leaf stated below

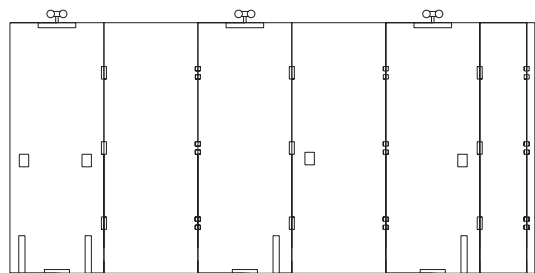
INTERIOR CENTREFOLDING SYSTEMS



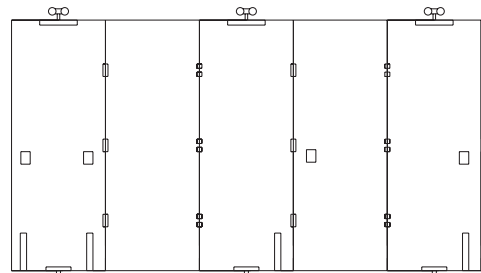
1 1/2 leaves,
centre folding hinged to post



3 1/2 leaves, centre folding hinged to post



5 1/2 leaves, centre folding hinged to post



5 leaves centre folding "floating"

Item	Quantity	2700mm high or 35kg	2700mm high or 75kg	4500mm high or 125kg
Track	—	600	600	—
Brackets	see notes	1B	1B	1A/550 or 3S/550
Hanger	1	61B	61B/4	556/61
Hinges	6*	403 89 x 50	403 100 x 55	403 100 x 75
Guide	1	106N	106N	106N
Channel	—	94 or 94X	94 or 94X	94 or 94X
Flushpull	2	400	400	400
Flushbolt	2	SF190/450/600 or F3715	SF190/450/600 or F3715	SF190/450/600 or F3715

* For doors exceeding 3000mm high increase to 8

Track	—	600	600	550
Brackets	see notes	1B	1B	1A/550 or 3S/550
Hanger	2	61B	61B/4	556/61
Hinges	12*	403 89 x 50	403 100 x 55	403 100 x 75
Guide	2	106N	106N	106N
Channel	—	94 or 94X	94 or 94X	94 or 94X
Flushpull	3	400	400	400
Flushbolt	3	SF190/450/600 or F3715	SF190/450/600 or F3715	SF190/450/600 or F3715

* For doors exceeding 3000mm high increase to 16

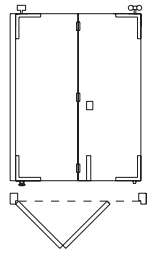
Track	—	600	600	550
Brackets	see notes	1B	1B	1A/550 or 3S/550
Hanger	3	61B	61B/4	556/61
Hinges	18*	403 89 x 50	403 100 x 55	403 100 x 75
Guide	3	106N	106N	106N
Channel	—	94 or 94X	94 or 94X	94 or 94X
Flushpull	4	400	400	400
Flushbolt	4	SF190/450/600 or F3715	SF190/450/600 or F3715	SF190/450/600 or F3715

* For doors exceeding 3000mm high increase to 24

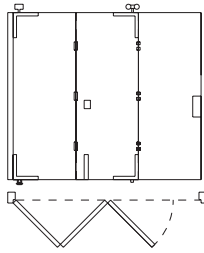
Track	—	600	600	550
Brackets	see notes	1B	1B	1A/550 or 3S/550
Hanger	3	61B	61B/4	556/61
Hinges	12*	403 89 x 50	403 100 x 55	403 100 x 75
Guide	3	106N	106N	106N
Channel	—	94 or 94X	94 or 94X	94 or 94X
Flushpull	2	400	400	400
Flushbolt	2	SF190/450/600 or F3715	SF190/450/600 or F3715	SF190/450/600 or F3715

* For doors exceeding 3000mm high increase to 16

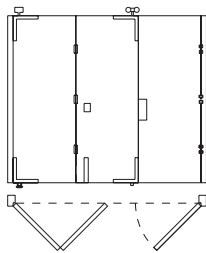
INTERIOR ENDFOLDING SYSTEMS



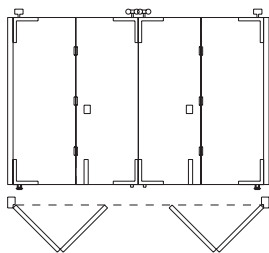
2 leaves,
folding to the left



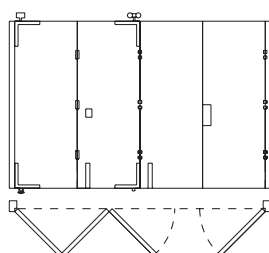
3 leaves with swinger
folding to the left



3 leaves, 2 folding to the left,
1 swinger hinged to post



4 leaves, 2 folding to the left,
1 swinger hinged to post



4 leaves, 3 with swinger to the left,
1 separate hinged to post

Item	Quantity	2700mm high or 35kg	4500mm high or 125kg
Track	—	600	550
Brackets	see notes	1B	3S/550
Hanger	1	21B	556/21
Pivot	1	21B/P	21/550P
Hinges	3*	403 89 x 50	403 100 x 75
Guide	1	21N/94	21R/94
Channel	—	94 or 94X	94 or 94X
Flushpull	1	400	400
Flushbolt	1	SF190/450/600 or F3715	SF190/450/600 or F3715
Lock and handles	1	—	—

* For doors exceeding 3000mm high increase to 4

Item	Quantity	2700mm high or 35kg	4500mm high or 125kg
Track	—	600	550
Brackets	see notes	1B	3S/550
Hanger	1	21B/4	556/21
Pivot	1	21B/P	21/550P
Hinges	6*	403 89 x 50	403 100 x 75
Guide	1	21N/94	21R/94
Channel	—	94 or 94X	94 or 94X
Flushpull	1	400	400
Flushbolt	2	SF190/450/600 or F3715	SF190/450/600 or F3715
Lock and handles	1	—	—

* For doors exceeding 3000mm high increase to 8

Item	Quantity	2700mm high or 35kg	4500mm high or 125kg
Track	—	600	550
Brackets	see notes	1B	3S/550
Hanger	1	21B	556/21
Pivot	1	21B/P	21/550P
Hinges	6*	403 89 x 50	403 100 x 75
Guide	1	21N/94	21R/94
Channel	—	94 or 94X	94 or 94X
Flushpull	1	400	400
Flushbolt	1	SF190/450/600 or F3735	SF190/450/600 or F3715
Lock and handles	1	—	—

* For doors exceeding 3000mm high increase to 8

Item	Quantity	2700mm high or 35kg	4500mm high or 125kg
Track	—	600	550
Brackets	see notes	1B	3S/550
Hanger	2	21B	556/21
Pivot	2	21B/P	21/550P
Hinges	6*	403 89 x 50	403 100 x 75
Guide	2	21N/94	21R/94
Channel	—	94 or 94X	94 or 94X
Flushpull	2	400	400
Flushbolt	2	SF190/450/600 or F3715	SF190/450/600 or F3715
Lock and handles	1	—	—

* For doors exceeding 3000mm high increase to 8

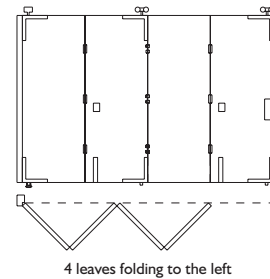
Item	Quantity	2700mm high or 35kg	4500mm high or 125kg
Track	—	600	550
Brackets	see notes	1B	3S/550
Hanger	1	21B/4	556/21
Pivot	1	21B/P	21/550P
Hinges	9*	403 89 x 50	403 100 x 75
Guide	1	21N/94	21R/94
Channel	—	94 or 94X	94 or 94X
Flushpull	1	400	400
Flushbolt	2	SF190/450/600 or F3715	SF190/450/600 or F3715
Lock and handles	1	—	—

* For doors exceeding 3000mm high increase to 12

INTERIOR ENDFOLDING SYSTEMS

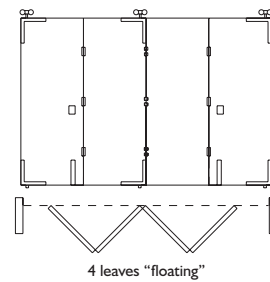
Item	Quantity	2700mm high or 35kg	4500mm high or 125kg
Track	—	600	550
Brackets	see notes	1B	3S/550
Hanger	2	21B	556/21
Pivot	1	21B/P	21/550P
Hinges	9*	403 89 x 50	403 100 x 75
Guide	2	21N/94	21R/94
Channel	—	94 or 94X	94 or 94X
Flushpull	2	400	400
Flushbolt	2	SF190/450/600 or F3715	SF190/450/600 or F3715
Lock and handles	1	—	—

* For doors exceeding 3000mm high increase to 12



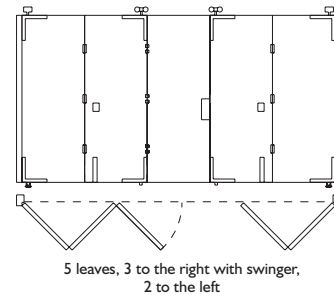
Track	—	600	550
Brackets	see notes	1B	3S/550
Hanger	3	21B	556/21
Hinges	9*	403 89 x 50	403 100 x 75
Guide	3	21N/94	21R/94
Channel	—	94 or 94X	94 or 94X
Flushpull	2	400	400
Flushbolt	2	SF190/450/600 or F3715	SF190/450/600 or F3715
Lock and handles	1	—	—

* For doors exceeding 3000mm high increase to 12



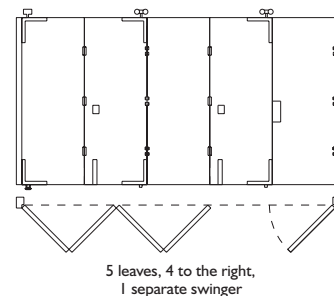
Track	—	600	550
Brackets	see notes	1B	3S/550
Hanger	2	21B	556/21
Pivot	2	21B/P	21/550P
Hinges	9*	403 89 x 50	403 100 x 75
Guide	2	21N/94	21R/94
Channel	—	94 or 94X	94 or 94X
Flushpull	2	400	400
Flushbolt	2	SF190/450/600 or F3715	SF190/450/600 or F3715
Lock and handles	1	—	—

* For doors exceeding 3000mm high increase to 12



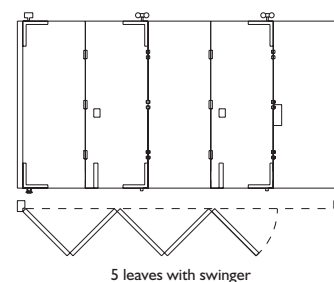
Track	—	600	550
Brackets	see notes	1B	3S/550
Hanger	2	21B	556/21
Pivot	1	21B/P	21/550P
Hinges	12*	403 89 x 50	403 100 x 75
Guide	2	21N/94	21R/94
Channel	—	94 or 94X	94 or 94X
Flushpull	2	400	400
Flushbolt	2	SF190/450/600 or F3715	SF190/450/600 or F3715
Lock and handles	1	—	—

* For doors exceeding 3000mm high increase to 16

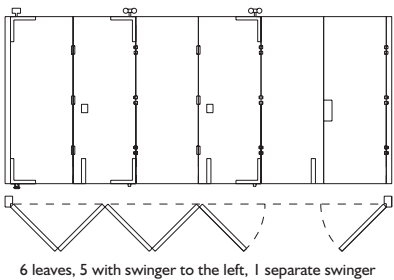
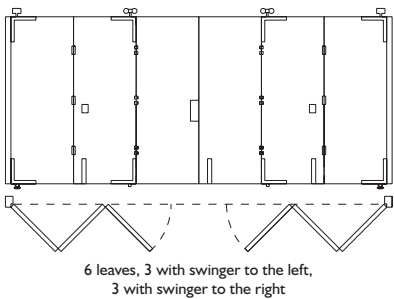
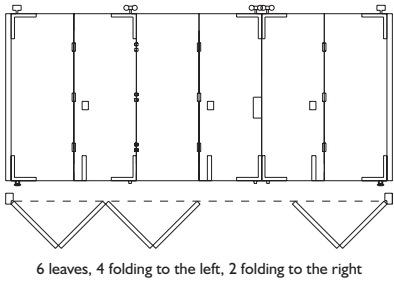
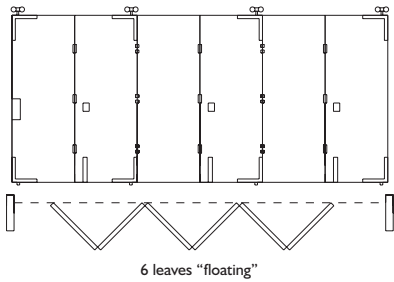
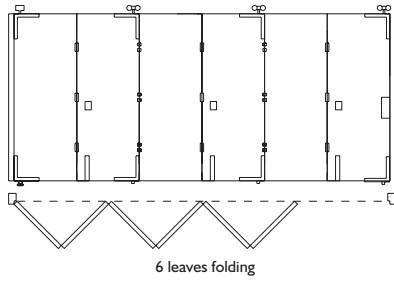


Track	—	600	550
Brackets	see notes	1B	3S/550
Hanger	2	21B	556/21
Pivot	1	21B/P	21/550P
Hinges	12*	403 89 x 50	403 100 x 75
Guide	2	21N/94	21R/94
Channel	—	94 or 94X	94 or 94X
Flushpull	2	400	400
Flushbolt	2	SF190/450/600 or F3715	SF190/450/600 or F3715
Lock and handles	1	—	—

* For doors exceeding 3000mm high increase to 16



INTERIOR ENDFOLDING SYSTEMS



Item	Quantity	2700mm high or 35kg	4500mm high or 125kg
Track	—	600	550
Brackets	see notes	1B	3S/550
Hanger	3	21B	556/21
Pivot	1	21B/P	21/550P
Hinges	15*	403 89 x 50	403 100 x 75
Guide	3	21N/94	21R/94
Channel	—	94 or 94X	94 or 94X
Flushpull	3	400	400
Flushbolt	3	SF190/450/600 or F3715	SF190/450/600 or F3715
Lock and handles	1	—	—

* For doors exceeding 3000mm high increase to 20

Item	Quantity	2700mm high or 35kg	4500mm high or 125kg
Track	—	600	550
Brackets	see notes	1B	3S/550
Hanger	4	21B	556/21
Hinges	15*	403 89 x 50	403 100 x 75
Guide	4	21N/94	21R/94
Channel	—	94 or 94X	94 or 94X
Flushpull	3	400	400
Flushbolt	3	SF190/450/600 or F3715	SF190/450/600 or F3715
Lock and handles	1	—	—

* For doors exceeding 3000mm high increase to 20

Item	Quantity	2700mm high or 35kg	4500mm high or 125kg
Track	—	600	550
Brackets	see notes	1B	3S/550
Hanger	3	21B	556/21
Pivot	2	21B/P	21/550P
Hinges	12*	403 89 x 50	403 100 x 75
Guide	3	21N/94	21R/94
Channel	—	94 or 94X	94 or 94X
Flushpull	3	400	400
Flushbolt	3	SF190/450/600 or F3715	SF190/450/600 or F3715
Lock and handles	1	—	—

* For doors exceeding 3000mm high increase to 16

Item	Quantity	2700mm high or 35kg	4500mm high or 125kg
Track	—	600	550
Brackets	see notes	1B	3S/550
Hanger	3	21B	556/21
Pivot	2	21B/P	21/550P
Hinges	12*	403 89 x 50	403 100 x 75
Guide	3	21N/94	21R/94
Channel	—	94 or 94X	94 or 94X
Flushpull	3	400	400
Flushbolt	3	SF190/450/600 or F3715	SF190/450/600 or F3715
Lock and handles	1	—	—

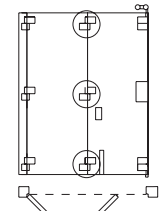
* For doors exceeding 3000mm high increase to 16

Item	Quantity	2700mm high or 35kg	4500mm high or 125kg
Track	—	600	550
Brackets	see notes	1B	3S/550
Hanger	2	21B	556/21
Pivot	1	21B/P	21/550P
Hinges	15*	403 89 x 50	403 100 x 75
Guide	2	21N/94	21R/94
Channel	—	94 or 94X	94 or 94X
Flushpull	2	400	400
Flushbolt	3	SF190/450/600 or F3715	SF190/450/600 or F3715
Lock and handles	1	—	—

* For doors exceeding 3000mm high increase to 20

EXTERIOR ENDFOLDING SYSTEMS

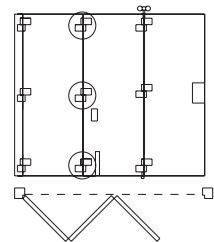
Item	Quantity	PACER Timber 65kg	PACER Aluminium 65kg	FLEXIROL Timber 125kg	FLEXIROL Aluminium 125kg
Track	—	600	600	550	550
Bracket	see notes	1B	1B	1A/550 or 3S/550	1A/550 or 3S/550
Top Pivot	1	—	—	—	—
Bottom pivot	1	—	—	—	—
Hanger end	1	63BA/104	63BA/205	556A/221	556A/221
Hinges*	—	6 x 65B/40 and 2 x 65B/40/1	6 x 65B/40 and 2 x 65B/40/1	6 x 65B/40 and 2 x 65B/40/1	6 x 65B/40 and 2 x 65B/40/1
Guide end	1	68BA/110	68BA/180	68BA/110	68BA/180
Channel	—	94T-94 or 94X	94T-94 or 94X	94T-94 or 94X	94T-94 or 94X
Flushpull	1	400	—	400	—
Flushbolt	1	SF190/450/600 or F3715 + F3734	F3715 + F3734	SF190/450/600 or F3715 + F3734	F3715 + F3734
Lock	1	—	—	—	—



2 leaves hinged to post
folding to the left

Note: 20mm hinges and 20-40mm offset hinges also available.

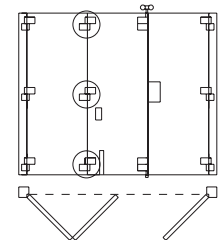
Track	—	600	600	550	550
Bracket	see notes	1B	1B	1A/550 or 3S/550	1A/550 or 3S/550
Top Pivot	1	—	—	—	—
Bottom pivot	1	—	—	—	—
Hanger mid	1	62BA/148	62BA/250	556A/221	556A/221
Hinges*	—	9 x 65B/40	9 x 65B/40	9 x 65B/40	9 x 65B/40
Guide mid	1	67BA/150	67BA/220	67BA/150	67BA/220
Channel	—	94T-94 or 94X	94T-94 or 94X	94T-94 or 94X	94T-94 or 94X
Flushpull	1	400	—	400	—
Flushbolt	1	SF190/450/600 or F3715 + F3734	F3715 + F3734	SF190/450/600 or F3715 + F3734	F3715 + F3734
Lock	1	—	—	—	—



3 leaves hinged to post,
with swinger folding to the left

Note: 20mm hinges and 20-40mm offset hinges also available.

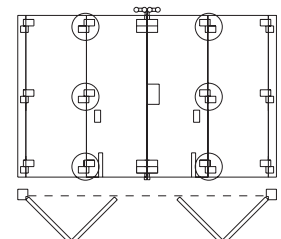
Track	—	600	600	550	550
Bracket	see notes	1B	1B	1A/550 or 3S/550	1A/550 or 3S/550
Top Pivot	2	—	—	—	—
Bottom pivot	2	—	—	—	—
Hanger end	1	63BA/104	63BA/205	556A/221	556A/221
Hinges*	—	9 x 65B/40 and 2 x 65B/40/1	9 x 65B/40 and 2 x 65B/40/1	9 x 65B/40 and 2 x 65B/40/1	9 x 65B/40 and 2 x 65B/40/1
Guide end	1	68BA/110	68BA/180	68BA/110	68BA/180
Channel	—	94T-94 or 94X	94T-94 or 94X	94T-94 or 94X	94T-94 or 94X
Flushpull	1	400	—	400	—
Flushbolt	1	SF190/450/600 or F3715 + F3734	F3715 + F3734	SF190/450/600 or F3715 + F3734	F3715 + F3734
Lock	1	—	—	—	—



3 leaves,
2 hinged to post folding to the left,
1 separate swinger hinged to post

Note: 20mm hinges and 20-40mm offset hinges also available.

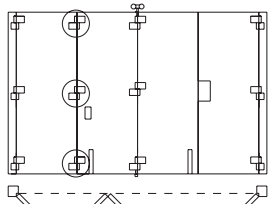
Track	—	600	600	—	—
Bracket	see notes	1B	1B	—	—
Top Pivot	2	—	—	—	—
Bottom pivot	2	—	—	—	—
Hanger end	2	63BOA/114	63BOA/114	—	—
Hinges*	—	12 x 65B/40 and 4 x 65B/40/1	12 x 65B/40 and 4 x 65B/40/1	—	—
Guide end	2	68BA/110	68BA/180	—	—
Channel	—	94T-94 or 94X	94T-94 or 94X	—	—
Flushpull	2	400	—	—	—
Flushbolt	2	SF190/450/600 or F3715 + F3734	F3715 + F3734	—	—
Lock	1	—	—	—	—



4 leaves, 2 hinged to post on the left,
2 hinged to post on the right

Note: 20mm hinges and 20-40mm offset hinges also available.

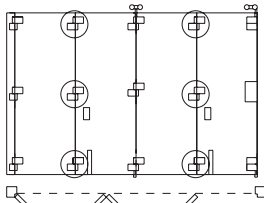
EXTERIOR ENDFOLDING SYSTEMS



4 leaves, 3 hinged to post (with swinger),
1 separate hinged to post

Item	Quantity	PACER Timber 65kg	PACER Aluminium 65kg	FLEXIROL Timber 125kg	FLEXIROL Aluminium 125kg
Track	—	600	600	550	550
Bracket	see notes	1B	1B	1A/550 or 3S/550	1A/550 or 3S/550
Top Pivot	2	—	—	—	—
Bottom pivot	2	—	—	—	—
Hanger mid	1	62BA/148	62BA/250	556A/221	556A/221
Hinges*	—	12 x 65B/40	12 x 65B/40	12 x 65B/40	12 x 65B/40
Guide mid	1	67BA/150	67BA/220	67BA/150	67BA/220
Channel	—	94T-94 or 94X	94T-94 or 94X	94T-94 or 94X	94T-94 or 94X
Flushpull	1	400	—	400	—
Flushbolt	2	SF190/450/600 or F3715 + F3734	F3715 + F3734	SF190/450/600 or F3715 + F3734	F3715 + F3734
Lock	1	—	—	—	—

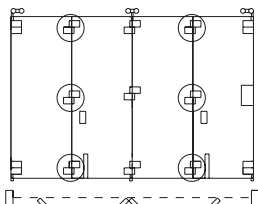
Note: 20mm hinges and 20-40mm offset hinges also available.



4 leaves hinged to post

Track	—	600	600	550	550
Bracket	see notes	1B	1B	1A/550 or 3S/550	1A/550 or 3S/550
Top Pivot	1	—	—	—	—
Bottom pivot	1	—	—	—	—
Hanger mid	1	62BA/148	62BA/250	556A/221	556A/221
Hanger end	1	63BA/104	63BA/205	556A/221	556A/221
Hinges*	—	12 x 65B/40 2 x 65B/40/1	12 x 65B/40 2 x 65B/40/1	12 x 65B/40 2 x 65B/40/1	12 x 65B/40 2 x 65B/40/1
Guide mid	1	67BA/150	67BA/220	67BA/150	67BA/220
Guide end	1	68BA/110	68BA/180	68BA/110	68BA/180
Channel	—	94T-94 or 94X	94T-94 or 94X	94T-94 or 94X	94T-94 or 94X
Flushpull	2	400	—	400	—
Flushbolt	2	SF190/450/600 or F3715 + F3734	F3715 + F3734	SF190/450/600 or F3715 + F3734	F3715 + F3734
Lock	1	—	—	—	—

Note: 20mm hinges and 20-40mm offset hinges also available.



4 leaves "floating"

Track	—	600	600	550	550
Bracket	see notes	1B	1B	1A/550 or 3S/550	1A/550 or 3S/550
Hanger mid	1	62BA/148	62BA/250	556A/221	556A/221
Hanger end	2	63BOA/114	63BOA/114	556A/221	556A/221
Hinges*	—	9 x 65B/40 and 4 x 65B/40/1	9 x 65B/40 and 4 x 65B/40/1	9 x 65B/40 and 4 x 65B/40/1	9 x 65B/40 and 4 x 65B/40/1
Guide mid	1	67BA/150	67BA/220	67BA/150	67BA/220
Guide end	2	68BA/110	68BA/180	68BA/110	68BA/180
Channel	—	94T-94 or 94X	94T-94 or 94X	94T-94 or 94X	94T-94 or 94X
Flushpull	2	400	—	400	—
Flushbolt	2	SF190/450/600 or F3715 + F3734	F3715 + F3734	SF190/450/600 or F3715 + F3734	F3715 + F3734
Lock	1	—	—	—	—

Note: 20mm hinges and 20-40mm offset hinges also available.

* For doors exceeding 3000 mm high increase to 1 extra per seam.

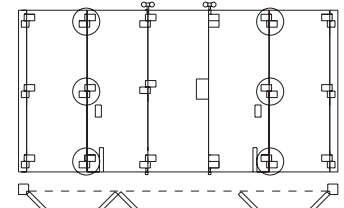


For applications in corrosive environments
please consult Hendersons technical department.

EXTERIOR ENDFOLDING SYSTEMS

Item	Quantity	PACER Timber 65kg	PACER Aluminium 65kg	FLEXIROL Timber 125kg	FLEXIROL Aluminium 125kg
Track	—	600	600	550	550
Bracket	see notes	1B	1B	1A/550 or 3S/550	1A/550 or 3S/550
Pivot top	2	—	—	—	—
Pivot bottom	2	—	—	—	—
Hanger mid	1	62BA/148	62BA/250	556A/221	556A/221
Hanger end	1	63BA/104	63BA/205	556A/221	556A/221
Hinges*	—	15 x 65B/40 and 2 x 65B/40/l	15 x 65B/40 and 2 x 65B/40/l	15 x 65B/40 and 2 x 65B/40/l	15 x 65B/40 and 2 x 65B/40/l
Guide mid	1	67BA/150	67BA/220	67BA/150	67BA/220
Guide end	1	68BA/110	68BA/180	68BA/110	68BA/180
Channel	—	94T-94 or 94X	94T-94 or 94X	94T-94 or 94X	94T-94 or 94X
Flushpull	2	400	—	400	—
Flushbolt	2	SF190/450/600 or F3715 + F3734	F3715 + F3734	SF190/450/600 or F3715 + F3734	F3715 + F3734
Lock	1	—	—	—	—

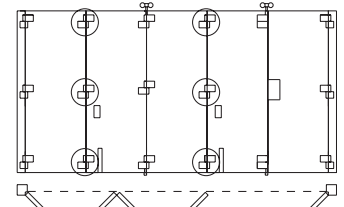
Note: 20mm hinges and 20-40mm offset hinges also available.



5 leaves, 3 hinged to post folding to the left,
2 hinged to post folding to the right

Track	—	600	600	550	550
Bracket	see notes	1B	1B	1A/550 or 3S/550	1A/550 or 3S/550
Pivot top	2	—	—	—	—
Pivot bottom	2	—	—	—	—
Hanger mid	1	62BA/148	62BA/250	556A/221	556A/221
Hanger end	1	63BA/104	63BA/205	556A/221	556A/221
Hinges*	—	15 x 65B/40 and 2 x 65B/40/l	15 x 65B/40 and 2 x 65B/40/l	15 x 65B/40 and 2 x 65B/40/l	15 x 65B/40 and 2 x 65B/40/l
Guide mid	1	67BA/150	67BA/220	67BA/150	67BA/220
Guide end	1	68BA/110	68BA/180	68BA/110	68BA/180
Channel	—	94T-94 or 94X	94T-94 or 94X	94T-94 or 94X	94T-94 or 94X
Flushpull	2	400	—	400	—
Flushbolt	2	SF190/450/600 or F3715 + F3734	F3715 + F3734	SF190/450/600 or F3715 + F3734	F3715 + F3734
Lock	1	—	—	—	—

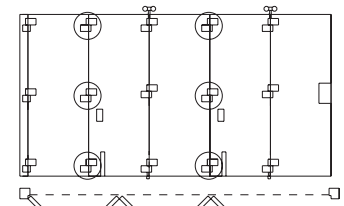
Note: 20mm hinges and 20-40mm offset hinges also available.



5 leaves, 4 hinged to post, folding to the left,
1 separate hinged to post

Track	—	600	600	550	550
Bracket	see notes	1B	1B	1A/550 or 3S/550	1A/550 or 3S/550
Pivot top	1	—	—	—	—
Pivot bottom	1	—	—	—	—
Hanger mid	2	62BA/148	62BA/250	556A/221	556A/221
Hinges*	—	15 x 65B/40	15 x 65B/40	15 x 65B/40	15 x 65B/40
Guide mid	2	67BA/150	67BA/220	67BA/150	67BA/220
Channel	—	94T-94 or 94X	94T-94 or 94X	94T-94 or 94X	94T-94 or 94X
Flushpull	2	400	—	400	—
Flushbolt	2	SF190/450/600 or F3715 + F3734	F3715 + F3734	SF190/450/600 or F3715 + F3734	F3715 + F3734
Lock	1	—	—	—	—

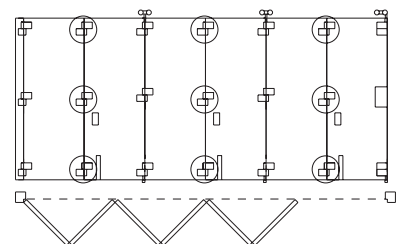
Note: 20mm hinges and 20-40mm offset hinges also available.



5 leaves hinged to post with swinger

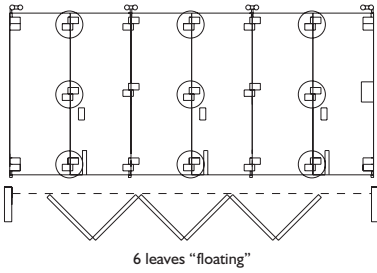
Track	—	600	600	550	550
Bracket	see notes	1B	1B	1A/550 or 3S/550	1A/550 or 3S/550
Pivot top	2	—	—	—	—
Pivot bottom	2	—	—	—	—
Hanger mid	2	62BA/148	62BA/250	556A/221	556A/221
Hanger end	1	63BA/104	63BA/205	556A/221	556A/221
Hinges*	—	18 x 65B/40 and 2 x 65B/40/l	18 x 65B/40 and 2 x 65B/40/l	18 x 65B/40 and 2 x 65B/40/l	18 x 65B/40 and 2 x 65B/40/l
Guide mid	2	67BA/150	67BA/220	67BA/150	67BA/220
Guide end	1	68BA/110	68BA/180	68BA/110	68BA/180
Channel	—	94T-94 or 94X	94T-94 or 94X	94T-94 or 94X	94T-94 or 94X
Flushpull	3	400	—	400	—
Flushbolt	3	SF190/450/600 or F3715 + F3734	F3715 + F3734	SF190/450/600 or F3715 + F3734	F3715 + F3734
hinge)	1	—	—	—	—

Note: 20mm hinges and 20-40mm offset hinges also available.



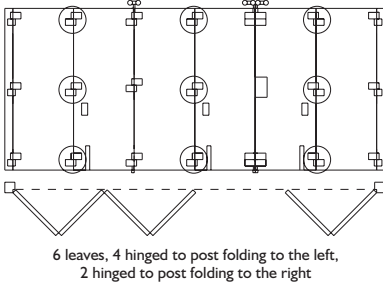
6 leaves hinged to post

EXTERIOR ENDFOLDING SYSTEMS



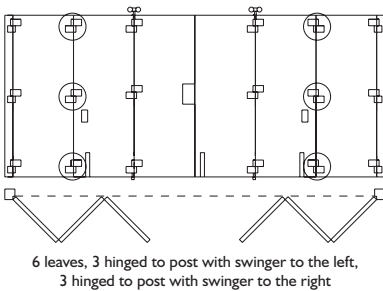
Item	Quantity	PACER Timber 65kg	PACER Aluminium 65kg	FLEXIROL Timber 125kg	FLEXIROL Aluminium 125kg
Track	—	600	600	550	550
Bracket	see notes	1B	1B	1A/550 or 3S/550	1A/550 or 3S/550
Hanger mid	2	62BA/148	62BA/250	556A/221	556A/221
Hanger end	2	63BOA/114	63BOA/114	556A/221	556A/221
Hinges*	—	15 x 65B/40 and 4 x 65B/40/1	15 x 65B/40 and 4 x 65B/40/1	15 x 65B/40 and 4 x 65B/40/1	15 x 65B/40 and 4 x 65B/40/1
Guide mid	2	67BA/150	67BA/220	67BA/150	67BA/220
Guide end	2	68BA/110	68BA/180	68BA/110	68BA/180
Channel	—	94T-94 or 94X	94T-94 or 94X	94T-94 or 94X	94T-94 or 94X
Flushpull	3	400	—	400	—
Flushbolt	3	SF190/450/600 or F3715 + F3734	F3715 + F3734	SF190/450/600 or F3715 + F3734	F3715 + F3734
Lock	1	—	—	—	—

Note: 20mm hinges and 20-40mm offset hinges also available.



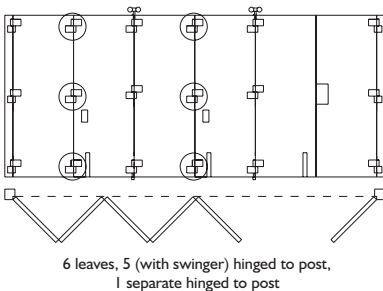
Track	—	600	600	—	—
Bracket	see notes	1B	1B	—	—
Pivot top	2	—	—	—	—
Pivot bottom	2	—	—	—	—
Hanger mid	1	62BA/148	62BA/250	—	—
Hanger end	2	63BOA/114	63BOA/114	—	—
Hinges	—	18 x 65B/40 and 4 x 65B/40/1	18 x 65B/40 and 4 x 65B/40/1	—	—
Guide mid	1	67BA/150	67BA/220	—	—
Guide end	2	68BA/110	68BA/180	—	—
Channel	—	94T-94 or 94X	94T-94 or 94X	—	—
Flushpull	3	400	—	—	—
Flushbolt	3	SF190/450/600 or F3715 + F3734	F3715 + F3734	—	—
Lock	1	—	—	—	—

Note: 20mm hinges and 20-40mm offset hinges also available.



Track	—	600	600	550	550
Bracket	see notes	1B	1B	1A/550 or 3S/550	1A/550 or 3S/550
Pivot top	2	—	—	—	—
Pivot bottom	2	—	—	—	—
Hanger mid	2	62BA/148	62BA/250	556A/221	556A/221
Hinges*	—	18 x 65B/40	18 x 65B/40	18 x 65B/40	18 x 65B/40
Guide mid	2	67BA/150	67BA/220	67BA/150	67BA/220
Channel	—	94T-94 or 94X	94T-94 or 94X	94T-94 or 94X	94T-94 or 94X
Flushpull	2	400	—	400	—
Flushbolt	3	SF190/450/600 or F3715 + F3734	F3715 + F3734	SF190/450/600 or F3715 + F3734	F3715 + F3734
Lock	1	—	—	—	—

Note: 20mm hinges and 20-40mm offset hinges also available.



Track	—	600	600	550	550
Bracket	see notes	1B	1B	1A/550 or 3S/550	1A/550 or 3S/550
Pivot top	2	—	—	—	—
Pivot bottom	2	—	—	—	—
Hanger mid	2	62BA/148	62BA/250	556A/221	556A/221
Hinges*	—	18 x 65B/40	18 x 65B/40	18 x 65B/40	18 x 65B/40
Guide mid	2	67BA/150	67BA/220	67BA/150	67BA/220
Channel	—	94T-94 or 94X	94T-94 or 94X	94T-94 or 94X	94T-94 or 94X
Flushpull	2	400	—	400	—
Flushbolt	3	SF190/450/600 or F3715 + F3734	F3715 + F3734	SF190/450/600 or F3715 + F3734	F3715 + F3734
Lock	1	—	—	—	—

Note: 20mm hinges and 20-40mm offset hinges also available.

* For doors exceeding 3000 mm high increase to 1 extra per seam.



HENDERSON

P C Henderson Limited

Durham Road, Bowburn, County Durham DH6 5NG, UK
Website: www.pchenderson.com

Technical Sales Team

Telephone 0191 377 7345 Facsimile 0191 377 3116
e-mail: sales@pchenderson.com

Export Department

Telephone +44(0)191 377 7346 Facsimile +44(0)191 377 0755
e-mail: international@pchenderson.com

Henderson Nederland BV

Postbus 258, 5530 AG Bladel, Holland
Tel: +31 (0) 497 33 2020 Fax: +31 (0) 497 33 2029
Email: sales@henderson.nl

P C Henderson (Ireland) Limited

Westlink Industrial Estate, Kylemore Road, Dublin 10 Ireland
Tel: +353 (0)1 643 6816 Fax: +353 (0)1 626 0455
e-mail: sales@pchenderson.ie

P C Henderson Limited
www.pchenderson.com

