

SOLTAIRE 120

TOP HUNG STRAIGHT SLIDING DOOR SYSTEM FOR DOORS UP TO 120kg EACH

APPLICATIONS

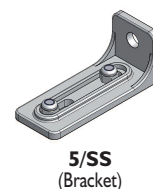
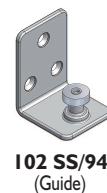
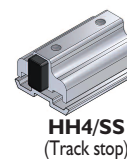
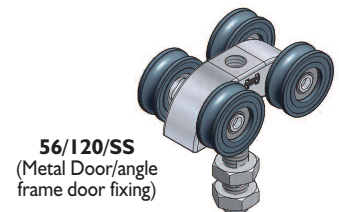
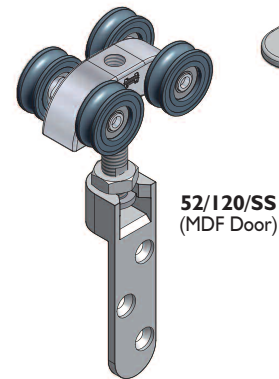
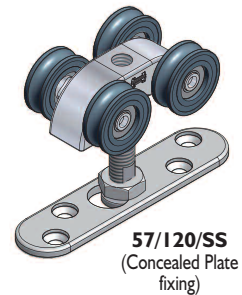
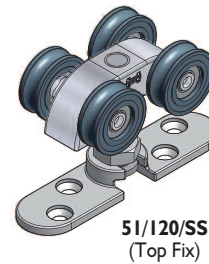
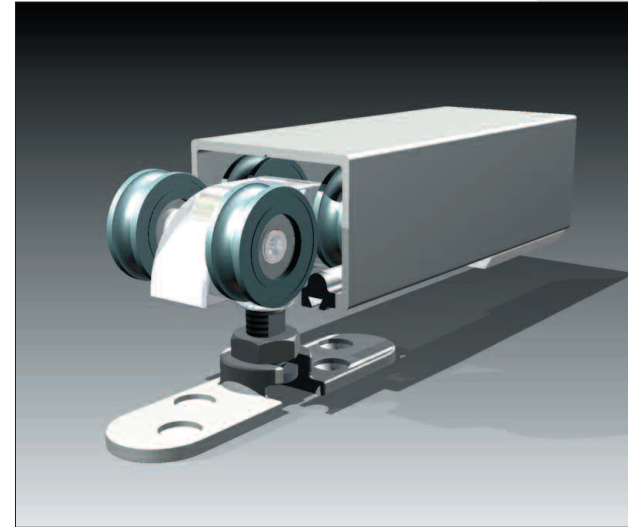
- ▶ Manufactured from high grade 316 stainless steel with anodised aluminum track.
- ▶ This reliable system is extremely durable and ideal for coastal applications or heavy use.
- ▶ Ideal for areas requiring a high level of corrosion resistance.
- ▶ Designed for interior and exterior doors up to 120 kg.
- ▶ Ideal for residential or commercial applications.
- ▶ Designed to accommodate one sliding panel or two bi-parting doors on a single track.
- ▶ Hangers available for MDF, timber or metal doors.
- ▶ The track can be soffit fixed or face fixed to give flexibility of installation.

DOOR SPECIFICATION

Maximum panel weight	120 kg
Maximum panel thickness	48mm
Minimum panel thickness	19mm
Maximum panel height	3000mm

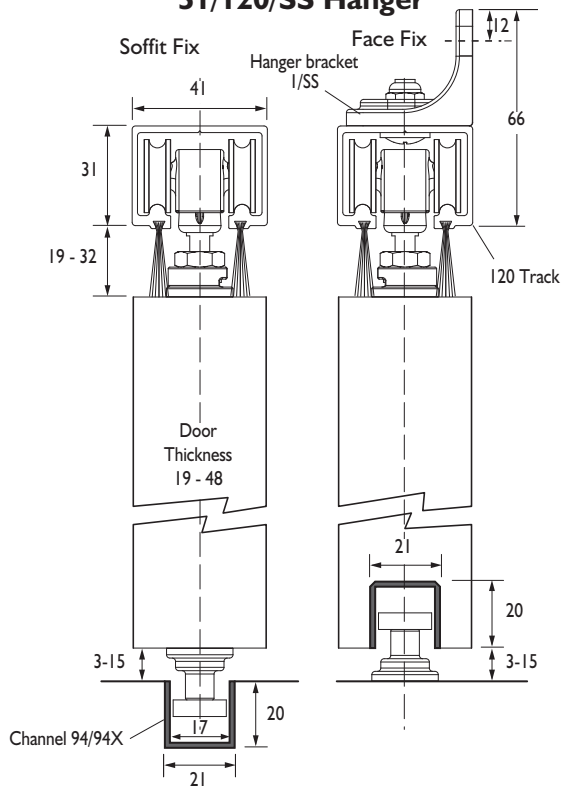
GEAR SPECIFICATION

Track	Anodised aluminium (25 microns) available in lengths <i>Soffit fix spacing 600mm centres (maximum)</i>	120/2000, 120/2500, 120/3000, 120/4000, 120/5000 & 120/6000
Brush strips	Available in black in 4 brush heights, by the metre	BS10, BS15, BS20, BS25(mm)
Brackets	Face fixed stainless steel Double run face fixed stainless steel <i>Starting 20mm from end of track fix at 600mm centres (maximum)</i>	1/SS 5/SS
Hangers	2 required per door	
	MDF doors - face fixing	52/120/SS
	Timber doors - top fixed - surface mounted	51/120/SS
	- (concealed) plate fixing	57/120/SS
	Metal doors - angle frame door fixing	56/120/SS
Guides	- (concealed) fixing with SS bearing	106 SS/94
	- nylon saw cut guide	102 N
	- wall mounted guide	102 SS/94
	- metal door angle frame guide	104 P/89
	- box section metal door	104 PX/89
	- for multiple runs of doors use	102 SS/94
Channels	Aluminum (2000, 2500, 3000 & 6000mm lengths)	94X
	Brass (1500 & 3000mm length only)	94
	Stainless steel (3000mm length only)	89SS
	Polypropylene channel	94P
	Aluminum supporting channel for polypropylene	94SC
Track Stop	HH4/SS	



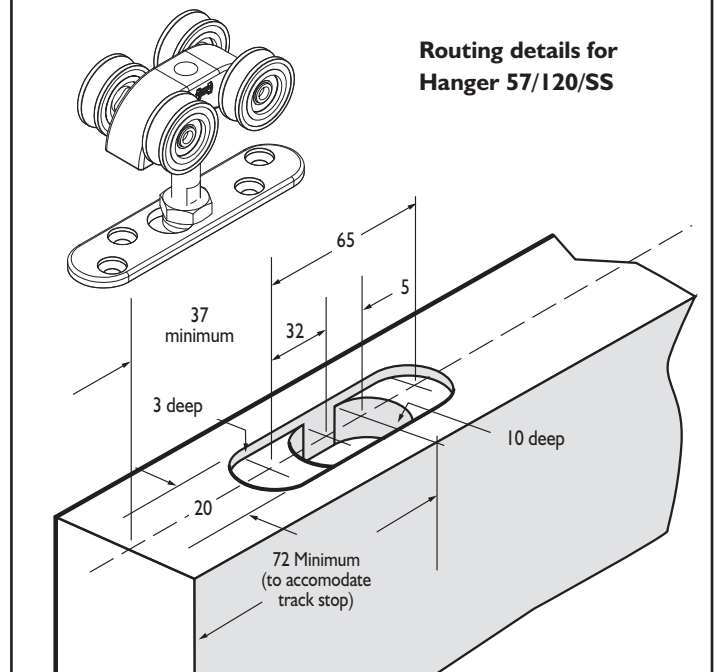
SOLTAIRE 120

51/120/SS Hanger

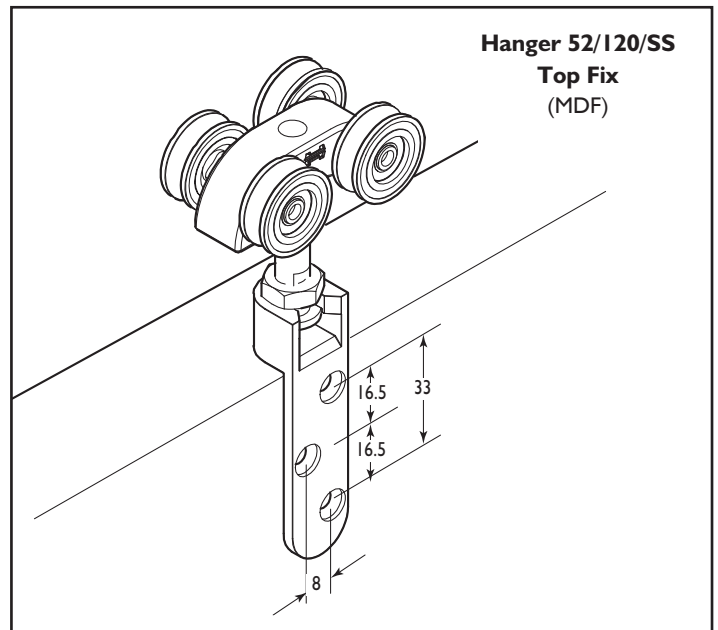


For MDF doors 19-23mm you must use hanger 52/120/SS and for doors 24-48 there is an option of surface mounted or routed (51/120/SS or 57/120/SS)

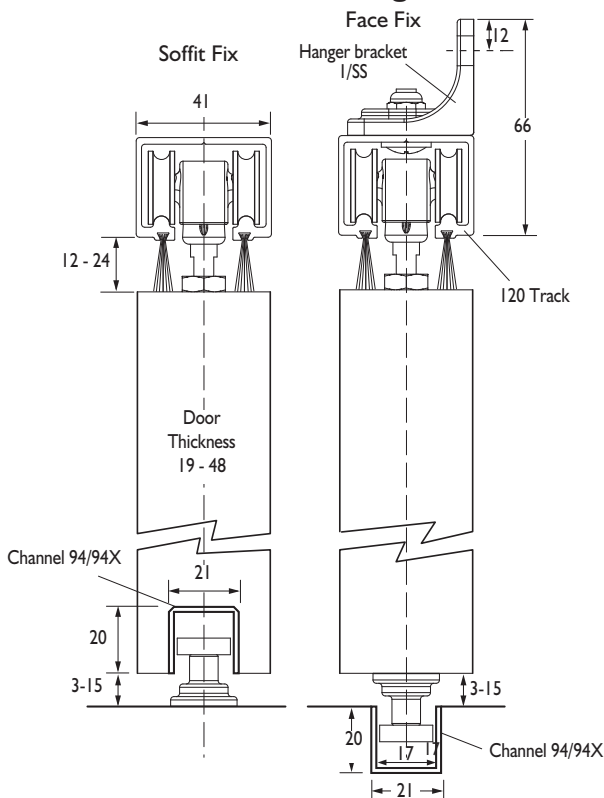
Routing details for Hanger 57/120/SS



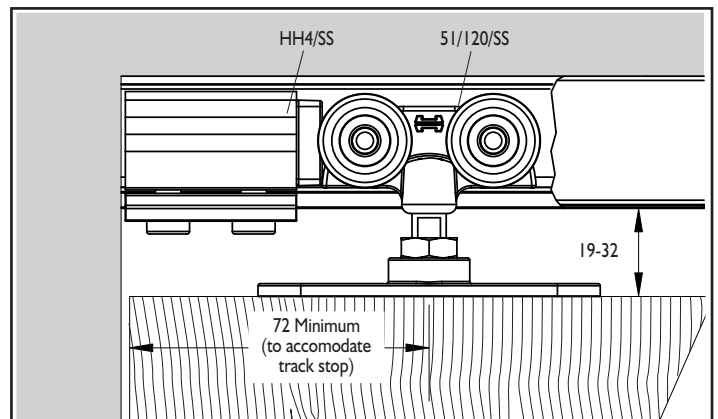
Hanger 52/120/SS Top Fix (MDF)



57/120/SS Hanger



HH4/SS 51/120/SS



(All dimensions shown in mm's)

HENDERSON

P C Henderson Limited, Durham Road, Bowburn, County Durham DH6 5NG, UK. Web: www.pchenderson.com
 UK Customer Services Department: Tel: +44 (0)191 377 7345 Fax: +44 (0)191 377 3116 Email: sales@pchenderson.com
 Export Department: Tel: +44 (0)191 377 7346 Fax: +44 (0)191 377 0755. Email: international@pchenderson.com.
 For all technical queries email our Technical Department: technical@pchenderson.com