



Sliding door fitting system



CONTENTS

Sleek technology – highly durable	4
Overview table for sliding fitting systems	5
Overview of the GEZE sliding fitting systems	6
GEZE manual sliding door fittings	
GEZE Rollan 40 NT	8
GEZE Rollan 80 NT	14
GEZE Levolan 60	22
GEZE Levolan 120	32
GEZE Perlan 140	44
GEZE glass clamping plates	
GEZE glass clamping plates 30 mm and 45 mm	56
GEZE Perlan 140 system variants and automation	
GEZE Perlan 140 fixed panel	62
GEZE Perlan AUT-NT	65
GEZE Perlan 140 GGS	68
GEZE Perlan 140 telescopic for internal doors 2-leaf	70
GEZE Perlan 140 Duosync	73
GEZE Perlan 140 clip-on cover 100	77
GEZE Perlan 140 concealed wall bracket and spacer profile	79
Sliding shutters and automation	
GEZE Perlan 140 KS	84
GEZE Perlan telescopic for 3-leaf external applications	87
GEZE Perlan 140 wall bracket with weather canopy	90
Product information	
Product information for sliding door systems	93
Basic safety information Perlan AUT	94
Classification in accordance with DIN EN 1527	94

GEZE manual sliding systems

Sleek technology – highly durable

GEZE sliding door systems consist of a track and a roller carriage guided in this track, which moves the connected sliding door leaves made of glass, wood or metal. Their particular benefits include smooth running and sleek design. An extensive range of accessories offers diverse solutions for different applications. GEZE roller-guided sliding fittings are preferred for internal applications, but the Perlan range also covers solutions for external use.

Sliding fitting systems for manual wood and metal doors

GEZE offers different fittings solutions for functional and visually appealing sliding door systems, room partition walls or other moving elements with wood or metal leaves. These enable considerable creative freedom and planning flexibility.

Demanding technology, high-quality materials and first-class workmanship guarantee precise, gentle and quiet movement of the roller carriages over the tracks and make the fitting systems extremely durable with a long-life.

Glass solutions for manual sliding door systems

In contemporary architecture, glass has replaced conventional leaf materials to a major extent. Since functional and technological aspects are becoming more and more important, it is being integrated under new prerequisites as a design element in modern buildings. Glass fittings are consciously highlighted in high-quality design solutions, for example. GEZE offers visually outstanding and efficient concepts for an open and transparent ambience with fluid transition.



Overview table for manual sliding systems

Sliding doors							Sliding shutter
	Rollan 40 NT	Rollan 80 NT	Levolan 60	Levolan 120	Perlan 140	Perlan AUT-NT	Perlan 140 KS
Leaf weight (max.)	40 kg	80 kg	60 kg	120 kg	140 kg	80 kg	140 kg
Running comfort	**	****	*****	*****	*****	*****	*****
Leaf material							
Wood	●	●	○	○	●	●	●
Plastic	○	○	○	○	○	○	○
Metal	○	○	○	○	○	○	○
Glass	○	○	●	●	○	●	-
Corrosion protection	Class 1	Class 1	Class 3	Class 3	Class 2	-	Class 4
● = especially suitable for ○ = also suitable for - = no							
Sliding doors							Sliding shutter
	Rollan 40 NT	Rollan 80 NT	Levolan 60	Levolan 120	Perlan 140	Perlan AUT-NT	Perlan 140 KS
Type of installation							
Wall installation	●	●	●	●	●	●	●
Ceiling installation	●	●	●	●	●	●	●
Glass installation	-	-	●	●	-	-	-
Door type							
1-leaf and multiple-leaf	●	●	●	●	●	●	●
Duosync	-	-	-	-	●	●	●
Telescope	-	-	-	-	●	-	●
Automated	-	-	-	-	●	●	●
Fixed panel	-	-	●	●	●	●	-
Draw-in damper	-	●	●	●	●	-	-

● = yes
- = no

Overview of GEZE manual sliding systems

GEZE ROLLAN 40 NT



GEZE ROLLAN 80 NT



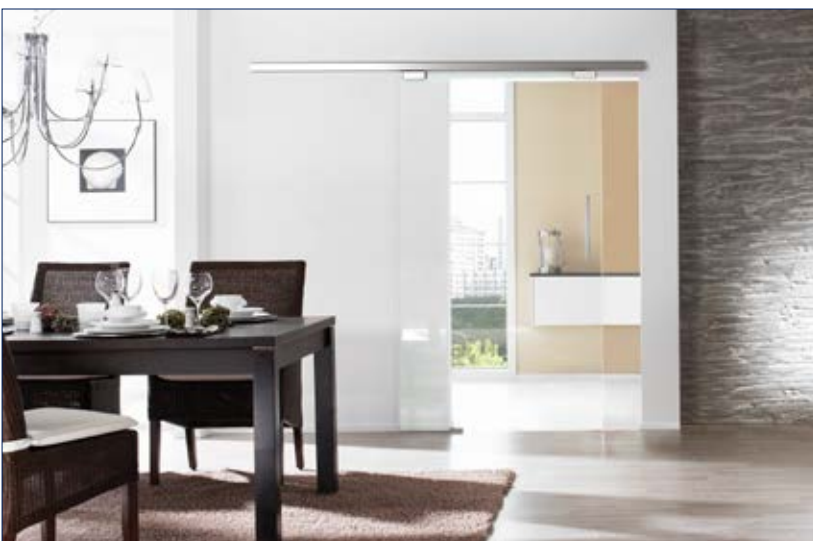
GEZE LEVOLAN 60



GEZE LEVOLAN 120



GEZE PERLAN 140



GEZE ROLLAN 40 NT



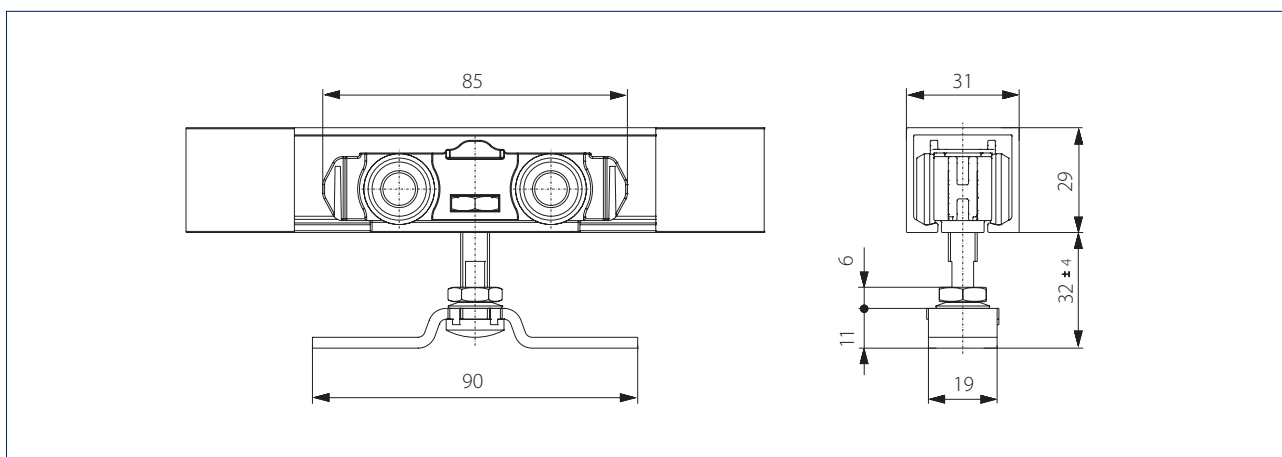


GEZE ROLLAN 40 NT

GEZE Rollan 40 NT

The quiet roller-guided sliding system for simple sliding concepts

Simple interior sliding leaves of up to 40 kg in weight can be achieved without much effort using the quiet roller-guided sliding system GEZE Rollan 40 NT. Thanks to ceiling and wall installation, the system can be used in many different ways e.g. in passage doors, for partition walls and cupboards. The track has a flat contact surface and thus guarantees almost silent running. It can be used both for Rollan 40 NT and Rollan 80 NT as well as for almost every leaf material. This reduces the planning and storage effort and thus enables simple adjustments to changing usage conditions. The distance between the door leaf and the track can be adjusted or readjusted easily after installation using the suspension bolt. The C-shape of the track reduces dust and dirt penetration.



APPLICATION RANGE

- Especially suitable for wooden doors
- For all 1- and multiple-leaf sliding doors
- Smooth running makes it particularly well suited for doors in living and office spaces

TECHNICAL DATA

Product features	GEZE Rollan 40 NT
Leaf material	Wood, plastic, metal, glass
Leaf weight (max.)	40 kg
Number of leaves	1-leaf, 2-leaf
Test cycles	25,000
Corrosion protection class	1
Type of installation	Wall installation, ceiling installation
Access for all	According to DIN 18040

Standard dimensions in mm

Leaf width (FB)	Track length (L)	Distance between drill holes (t)	Number of drill holes (n)	Distance from first drill hole (centre) to end of track (y)
500 - 590	1150	350	4	50
500 - 840	1650	450	4	150
500 - 920	1800	400	5	100
500 - 970	1900	450	5	50
500 - 1190	2350	450	6	50
500 - 1420	2800	450	7	50
500 - 1640	3250	450	8	50
Stock length (LL)	6100	350	18	50

Classification in accordance with DIN EN 1527

GEZE Rollan 40 NT								
Usage category	Duration of functional ability	Door weight	Fire resistance	Safety	Corrosion resistance	Protection	Door type	Initial friction
-	4	1	-	1	1	-	1	3

The description of the classes can be found at the end of the catalogue.

OVERVIEW OF COMPONENTS

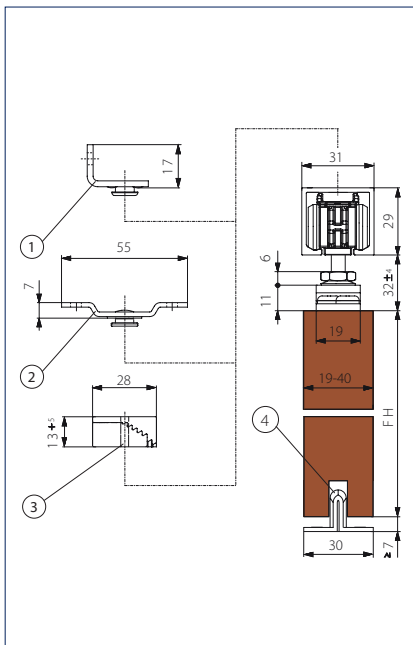
GEZE Rollan 40 NT wooden leaf ceiling mounting



- 1 = Track Rollan
- 2 = End stop
- 3 = Roller carriage Rollan 40 NT
- 4 = Suspension plate Rollan
- 5 = Wooden leaf (on site)
- 6 = Floor guide for wooden leaf

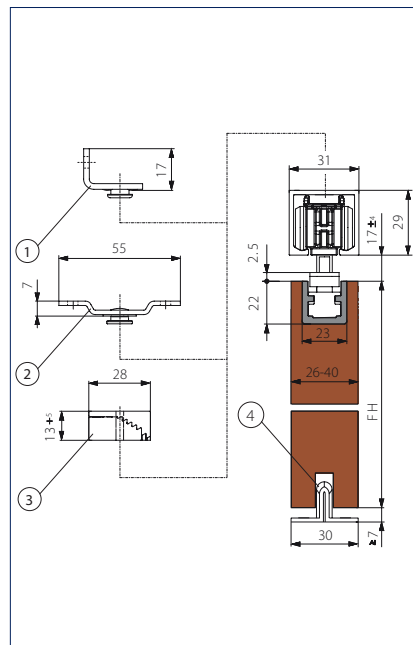
CROSS-SECTION DRAWINGS

The fitting can be attached directly to the ceiling or by means of a bracket to the wall or ceiling:



Wall / ceiling installation wood

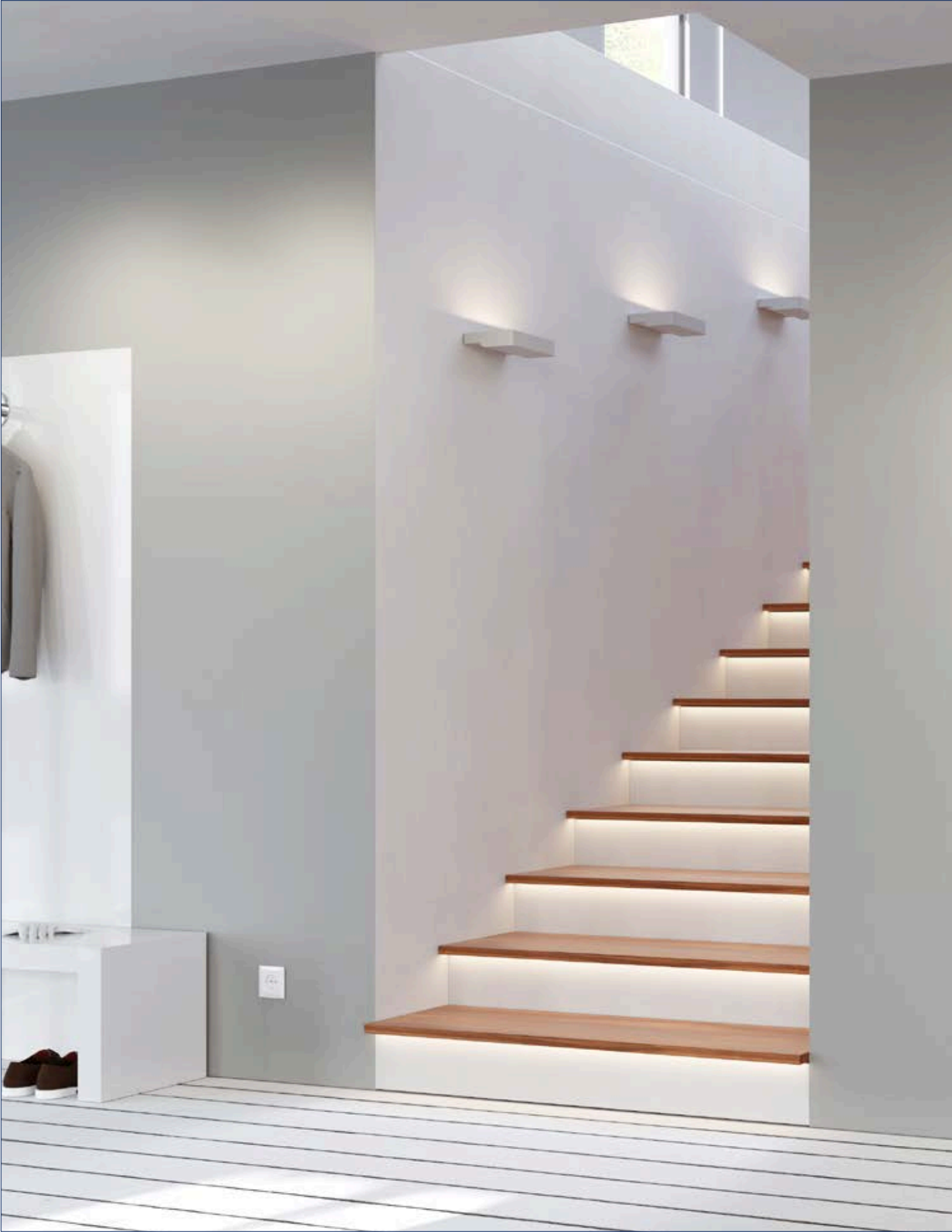
- FH = Leaf height
- 1 = Wall bracket
- 2 = Ceiling bracket
- 3 = Height compensation mechanism
- 4 = Floor guide for wooden leaf



Wall / ceiling installation wood with suspension plate concealed

- FH = Leaf height
- 1 = Wall bracket
- 2 = Ceiling bracket
- 3 = Height compensation mechanism
- 4 = Floor guide for wooden leaf

GEZE ROLLAN 80 NT





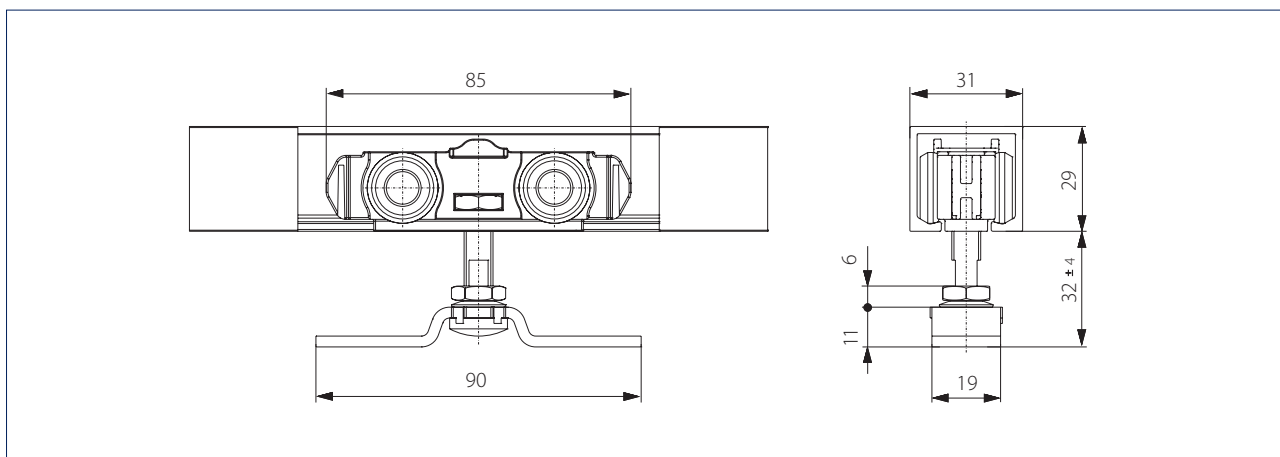
GEZE ROLLAN 80 NT

GEZE Rollan 80 NT

The quiet and secure roller-guided sliding system for simple sliding concepts

The GEZE Rollan 80 NT roller-guided sliding system allows straightforward integration of sliding concepts on interior doors. The ceiling and wall mounting supports versatile use e.g. in passage doors, partition walls and cupboards. The track can be used both for Rollan 40 NT and Rollan 80 NT as well as for almost every leaf material. This reduces the planning and storage effort and thus enables simple adjustments to changing usage conditions. The distance between the door leaf and the track can be adjusted or readjusted easily after installation using the suspension bolt. The C-shape of the track reduces dust and dirt penetration.

Comfort and safety for GEZE sliding door systems with small leaf widths are possible with the optional draw-in damper **Rollan 80 NT SoftStop**. The door is gently slowed down and pulls itself automatically into the zero position. The gentle retraction into the end position is easy on the door and the fittings, thus increasing the life span of the door. The damper can be used one-sided or double-sided in the Rollan track up to a door weight of 40 kg. The Rollan 80 NT SoftStop is completely concealed in the track and has a total height of only 25 mm.



APPLICATION RANGE

- Especially suitable for wooden doors
- For all 1- and multiple-leaf sliding doors
- Smooth running makes it particularly well suited for doors in living and office spaces

TECHNICAL DATA

Product features	GEZE Rollan 80 NT
Leaf material	Wood, plastic, metal, glass
Leaf weight (max.)	80 kg
Leaf weight (max.) with draw-in damper	40 kg
Number of leaves	1-leaf, 2-leaf
Test cycles	50,000
Corrosion protection class	1
Type of installation	Wall installation, ceiling installation
Access for all	According to DIN 18040

Standard dimensions in mm

Leaf width (FB)	Track length (L)	Distance between drill holes (t)	Number of drill holes (n)	Distance from first drill hole (centre) to end of track (y)
500 - 590	1150	350	4	50
500 - 840	1650	450	4	150
500 - 920	1800	400	5	100
500 - 970	1900	450	5	50
500 - 1190	2350	450	6	50
500 - 1420	2800	450	7	50
500 - 1640	3250	450	8	50
Stock length (LL)	6100	350	18	50

Classification in accordance with DIN EN 1527

GEZE Rollan 80 NT								
Usage category	Duration of functional ability	Door weight	Fire resistance	Safety	Corrosion resistance	Protection	Door type	Initial friction
-	4	2	-	1	1	-	1	3

The description of the classes can be found at the end of the catalogue.

OVERVIEW OF COMPONENTS

GEZE Rollan 80 NT wooden leaf ceiling mounting



- 1 = Track Rollan
- 2 = Rollan 80 NT SoftStop
- 3 = Roller carriage Rollan 80 NT with trigger
- 4 = Suspension plate Rollan
- 5 = Wooden leaf (on site)
- 6 = Floor guide for wooden leaf

Note: Cross-section drawings analogue to Rollan 40 NT

ORDER INFORMATION ROLLAN 40 NT / ROLLAN 80 NT

Description	Leaf width from - to	Length	Version	ID no.
GEZE Rollan 40 NT complete set set for wall and ceiling installation with wooden leaf standard, up to 40 kg leaf weight -plain bearing-	500 mm 590 mm	1150 mm		160405
	500 mm 840 mm	1650 mm		160406
	500 mm 920 mm	1800 mm		160407
	500 mm 970 mm	1900 mm		160408
	500 mm 1190 mm	2350 mm		160409
	500 mm 1420 mm	2800 mm		160410
	GEZE Rollan 80 NT complete set set for wall and ceiling installation with wooden leaf standard, up to 80 kg leaf weight -ball bearing-	500 mm 840 mm	1650 mm	
500 mm 920 mm		1800 mm		160412
500 mm 970 mm		1900 mm		160413
500 mm 1190 mm		2350 mm		160414
500 mm 1420 mm		2800 mm		160415
500 mm 1640 mm		3250 mm		160416
GEZE Rollan 80 NT complete set set for wall and ceiling installation with glass leaf, 30 mm glass clamping plate individually covered EV1, up to 80 kg leaf weight		500 mm 970 mm	1900 mm	
Accessories				
Rollan 80 NT SoftStop set, damping on one side, up to 40 kg The set includes: 1 x damping unit, 1 x trigger				160360
Accessories set basic components Rollan 40 NT for ceiling mounting, comprising: 2 x roller carriage, 2 x end stop, 2 x suspension plate, 2 x suspension bolt, 1 x floor guide for wooden leaf -plain bearing-	500 mm 1500 mm			160417
Accessories set basic components Rollan 40 NT for wall mounting, comprising: 2 x roller carriage, 2 x end stop, 2 x suspension plate, 2 x suspension bolt, 1 x floor guide for wooden leaf, incl. standard wall bracket (length = can be used up to track length) -plain bearing-	1100 mm 1500 mm	2800 mm		160419
	500 mm 1100 mm	1900 mm		160418
Accessories set basic components Rollan 80 NT for ceiling mounting, comprising: 2 x roller carriage, 2 x end stop (1 x with hold-open device), 2 x suspension plate, 2 x suspension bolt, 1 x floor guide for wooden leaf -ball bearing-	500 mm 1500 mm			160420
Accessories set basic components Rollan 80 NT for wall mounting, comprising: 2 x roller carriage, 2 x end stop (1 x with hold-open device), 2 x suspension plate, 2 x suspension bolt, 1 x floor guide for wooden leaf, incl. standard wall bracket (length = can be used up to track length) -ball bearing-	1100 mm 1500 mm	2800 mm		160422
	500 mm 1100 mm	1900 mm		160421
Track Rollan		6100 mm	aluminium, matt	120150
Track Rollan cut to size, per m			aluminium, matt	120151
Roller carriage Rollan 80 NT without suspension bolt black, up to 80 kg leaf weight -ball bearing-				159518
Roller carriage Rollan 40 NT with suspension bolt white, up to 40 kg leaf weight -plain bearing-				160363
Roller carriage Rollan 40 NT without suspension bolt white, up to 40 kg leaf weight -plain bearing-				159517
Roller carriage Rollan 80 NT with suspension bolt black, up to 80 kg leaf weight -ball bearing-				160364

GEZE ROLLAN 40 NT / ROLLAN 80 NT

Description	Leaf width from - to	Length	Version	ID no.
End stop Rollan without hold-open spring				120192
End stop Rollan with hold-open spring, retention force can be adjusted gradually in installed state				120161
Leaf stop				000339
Wall bracket Rollan Without attachment material				125858
Ceiling bracket Rollan Without attachment material				069991
Suspension plate Rollan Without suspension bolt and attachment material				026654
Concealed suspension profile set 2 pcs., for milling into the wooden leaf, including suspension bolts and flat open-ended spanner for height adjustment				138015
Suspension bolt Rollan M8x42 with nut				038183
Suspension bolt Rollan M8x30				133146
Height compensation mechanism/ceiling spacer set, with variable adjustment 6 pcs., height compensation mechanism with variable adjustment from 13 mm to 18 mm. For use for ceiling mounting using clip-on cover 100/145 as well as for general use on uneven ceilings				138099
Floor guide for wooden leaf standard Without attachment material			galvanised	002191
Floor guide for glass leaf (stainless steel) For 8, 10, 12 mm glass			stainless steel	134990
Floor guide for glass leaf (adjustable) With variable adjustment for glass thickness 8-13.5 mm, with frieze band for noise reduction with structured glass surfaces, without attachment material			silver-coloured	120417
			stainless steel optic	148019
			acc. to RAL	149657
Flush pull, 8-12 mm glass Closed, outer diameter 60 mm, glass drill hole 40 mm			stainless steel	138670
Flush pull, 15-80 mm wood Outer diameter 60 mm, specify leaf thickness when ordering			stainless steel	127614
Door pull handle, configured			stainless steel	127616

GEZE ROLLAN 40 NT / ROLLAN 80 NT



Track



Roller carriage Rollan 40 NT



Roller carriage Rollan 80 NT



Rollan 80 NT SoftStop with trigger



End stop



End stop with hold-open spring



Wall bracket



Ceiling bracket



Suspension plate



Concealed suspension profile



Suspension bolt



Height compensation mechanism



Floor guide for wooden leaf



Floor guide for glass leaf
Stainless steel



Floor guide for glass leaf adjustable



Flush pull glass closed



Stainless steel door pull handle



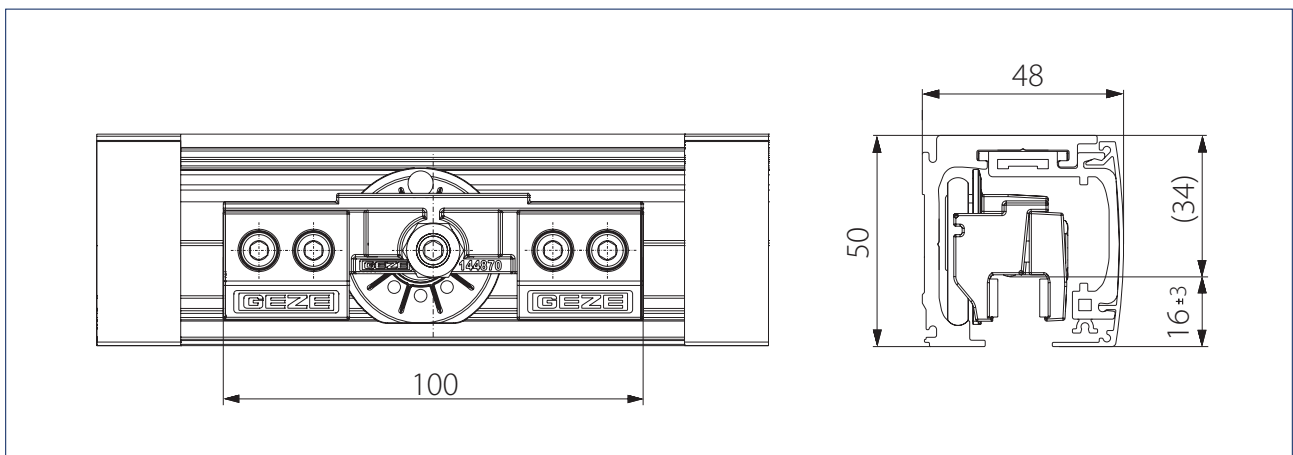


GEZE Levolan 60

The sleek universal fitting for all types of door leaves

The compact GEZE Levolan 60 sliding door system is the sleek solution for designing functional manual sliding doors for internal applications and moving them effortlessly. The fitting technology is completely integrated in the track, which is only 50 mm high, and can be used for door leaf weights of up to 60 kg. With its linear design, the modular GEZE system adapts to almost any installation situation. The fitting is installed quickly and easily from the front using the Levolan Smart fix installation system. All visible parts are available in the finishes silver-coloured EV1, stainless steel optic or RAL.

With the **GEZE Levolan 60 SoftStop**, the variant with one- or two-sided draw-in damper, sliding elements of up to 60 kg can be realised without additional leaf processing. The two-sided draw-in damper is available even for slim door leaf widths from 770 mm. Door movement is gently slowed approx. 10 cm before the end of the end stop. The door leaves are then guided automatically almost silently into the end position. Slamming into the frame or end stop is avoided, a pinching hazard almost excluded. The Levolan 60 SoftStop can be retro-fitted and adapts the sliding door to changing user requirements.



APPLICATION RANGE

- For toughened safety glass elements of 8, 10 and 12 mm as well as laminated safety glass of up to 10 mm (with additional LSG kit) and wooden leaves up to a weight of 60 kg
- For all 1- and multiple-leaf sliding doors
- With or without fixed panel
- For attachment on the wall and ceiling (directly and concealed) as well as for glass installation
- Damped on one or both sides with Levolan 60 SoftStop
- Smooth running with Levolan 60 SoftStop makes it particularly well suited for doors in living and office spaces

TECHNICAL DATA

Product features	GEZE Levolan 60
Leaf material	Glass, wood, plastic, metal
Leaf weight (max.)	60 kg
Leaf weight (max.) with draw-in damper	60 kg
Number of leaves	1-leaf, 2-leaf
Test cycles	100,000
Corrosion protection class	3
Type of installation	Wall installation, ceiling installation, glass installation, concealed in the ceiling
Fixed panel	•

• = yes

Classification in accordance with DIN EN 1527

GEZE Levolan 60								
Usage category	Duration of functional ability	Door weight	Fire resistance	Safety	Corrosion resistance	Protection	Door type	Initial friction
-	6	2	-	1	3	-	1	3

The description of the classes can be found at the end of the catalogue.

OVERVIEW OF COMPONENTS

GEZE Levolan 60 SoftStopDuo glass leaf wall mounting with spacer profile for wall clearance

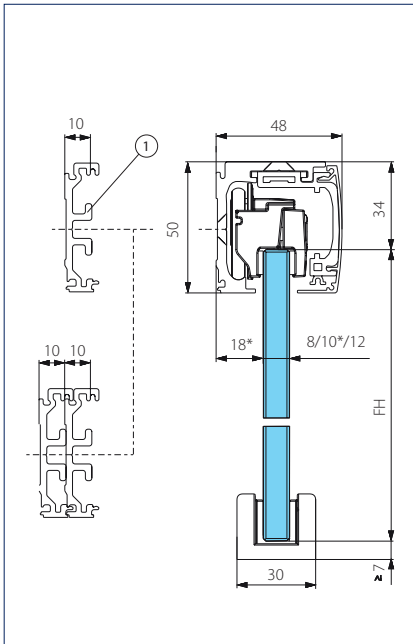


- 1 = Spacer profile for wall clearance Levolan
- 2 = Track Levolan
- 3 = Cover panel bracket Levolan
- 4 = End stop with hold-open device Levolan
- 5 = End covers Levolan

- 6 = Front cover profile Levolan
- 7 = Levolan 60 SoftStopDuo
- 8 = Roller carriage Levolan 60
- 9 = Glass leaf (on site)
- 10 = Floor guide for glass leaf (adjustable)

CROSS-SECTION DRAWINGS

The fitting can be attached to the wall, the ceiling, a fanlight or a fixed panel.

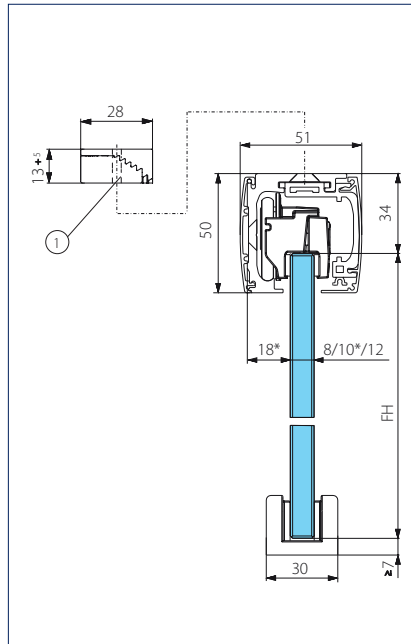


Wall mounting glass

* = Dependence dimension shown with 10 mm panel thickness

FH = Leaf height

1 = Spacer profile for wall clearance

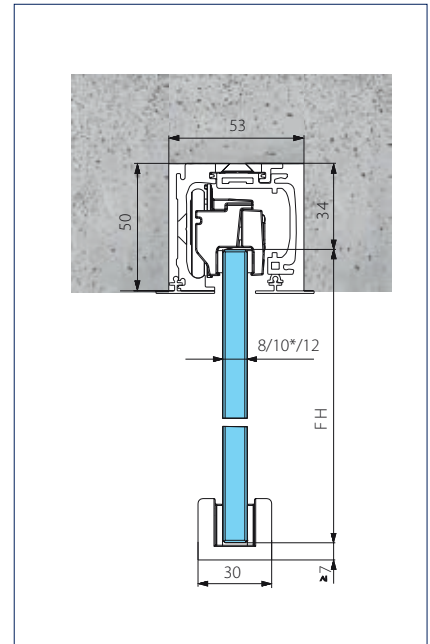


Ceiling mounting glass

* = Dependence dimension shown with 10 mm panel thickness

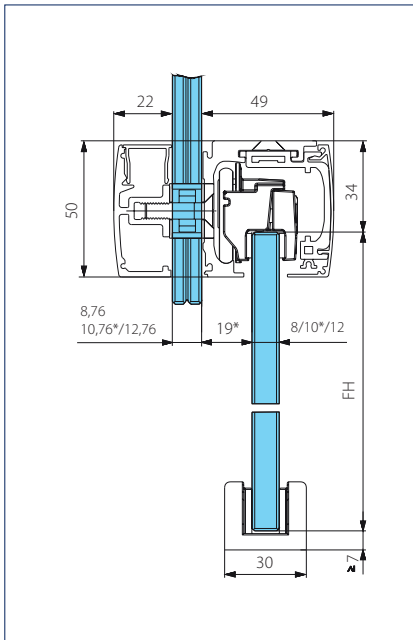
FH = Leaf height

1 = Height compensation mechanism



Concealed ceiling mounting glass

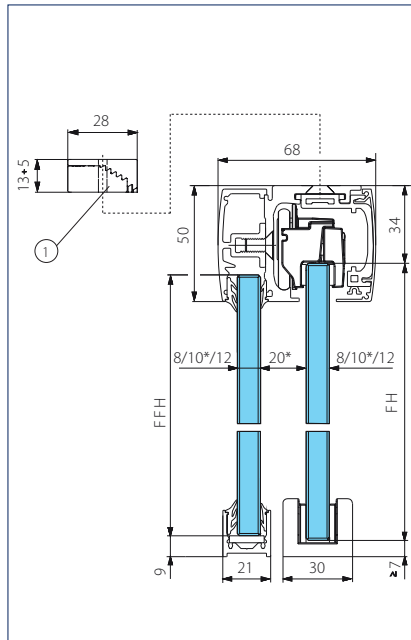
FH = Leaf height



Fanlight mounting glass

* = Dependence dimension shown with 10 mm panel thickness

FH = Leaf height



Fixed panel mounting glass

* = Dependence dimension shown with 10 mm panel thickness

FH = Leaf height

FFH = Fixed panel height

1 = Height compensation mechanism

OVERVIEW OF COMPONENTS

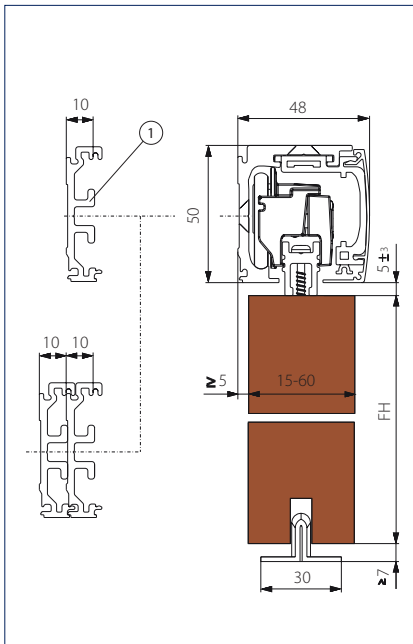
GEZE Levolan 60 SoftStop one-sided wooden leaf wall mounting with spacer profile for wall clearance



- 1 = Spacer profile for wall clearance Levolan
- 2 = Track Levolan
- 3 = Cover panel bracket Levolan
- 4 = End stop with hold-open device Levolan
- 5 = End cover Levolan
- 6 = Front cover profile Levolan

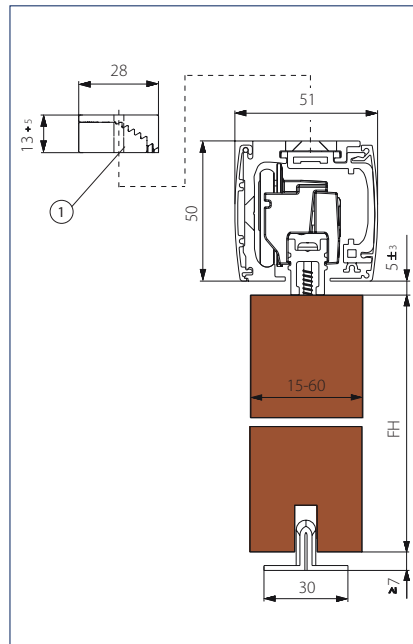
- 7 = Levolan 60 SoftStop one-sided
- 8 = Roller carriage Levolan 60
- 9 = Clamping profile for attaching wooden/metal leaves
- 10 = Wooden leaf (on site)
- 11 = Floor guide for wooden leaf

CROSS-SECTION DRAWINGS



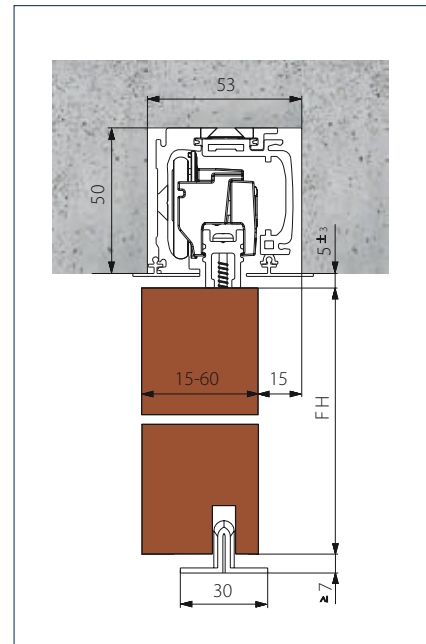
Wall mounting wood

FH = Leaf height
 1 = Spacer profile for wall clearance



Ceiling mounting wood

FH = Leaf height
 1 = Height compensation mechanism



Concealed ceiling mounting wood

FH = Leaf height

OVERVIEW OF COMPONENTS

GEZE Levolan 60 glass leaf fixed panel ceiling mounting



- 1 = Additional fixed panel profile Levolan / glass installation
- 2 = Track Levolan
- 3 = Cover panel bracket Levolan
- 4 = End stop with hold-open device Levolan
- 5 = End cover Levolan
- 6 = Front cover profile Levolan
- 7 = Fixed panel cover profile Levolan

- 8 = Roller carriage Levolan 60
- 9 = Glass seals
- 10 = U-profile fixed panel
- 11 = End cover U-profile fixed panel
- 12 = Glass leaf (on site)
- 13 = Floor guide for glass leaf (adjustable)

GEZE Levolan 60 glass leaf fixed panel with fanlight



- 1 = Fixed panel cover profile Levolan
- 2 = Additional fixed panel profile Levolan / glass installation
- 3 = Track Levolan
- 4 = Cover panel bracket Levolan
- 5 = End stop with hold-open device Levolan
- 6 = End cover Levolan
- 7 = Front cover profile Levolan

- 8 = Roller carriage Levolan 60
- 9 = Glass seals
- 10 = U-profile fixed panel
- 11 = End cover U-profile fixed panel
- 12 = Glass leaf (on site)
- 13 = Floor guide for glass leaf (adjustable)

GEZE LEVOLAN 120



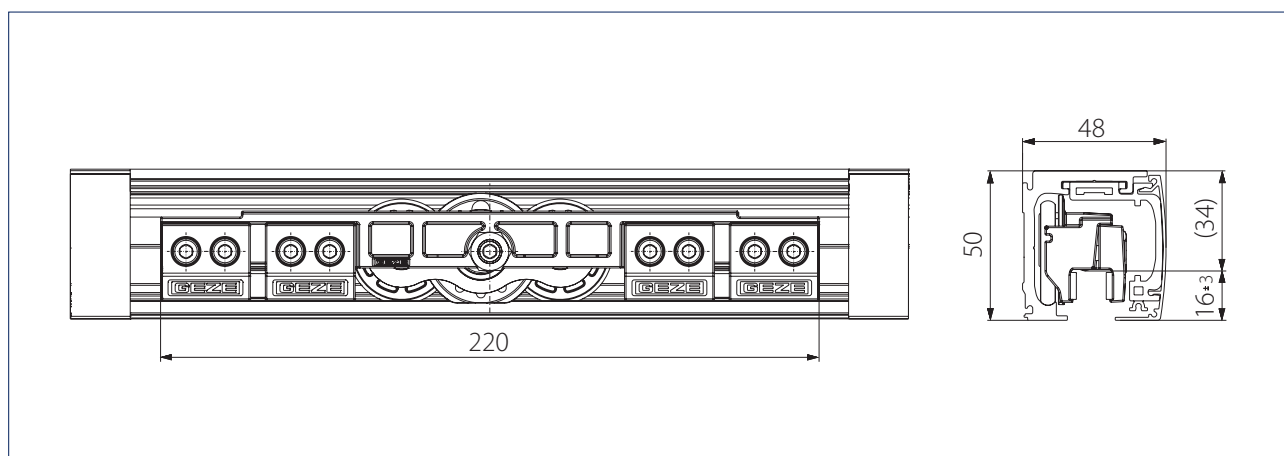


GEZE Levolan 120

The design fitting for all-glass and wooden sliding doors

Even though the two are identical in appearance, the GEZE Levolan 120 features a load-bearing capacity that carries twice as much as the tried-and-tested Levolan 60. With its compact dimensions, it provides an almost invisible clamping fitting for interior manual sliding doors with door leaves of up to 120 kg. The fitting technology is fully integrated into the track which is only 50 mm high. With its streamlined design, the modular system is perfect for nearly every installation situation. Only one track is required for ceiling and wall mounting. The fitting is installed quickly and easily from the front using the Levolan Smart fix installation system. All visible parts are available in the finishes silver-coloured EV1, stainless steel optic or in RAL colours.

The one- or two-sided draw-in damper **GEZE Levolan 120 SoftStop** which can be optionally integrated guides the sliding door leaves gently and safely into the end position with no risk of pinching or slamming into the frame. The integrated derailing protection is automatically activated upon height adjustment of the door leaf and provides additional safety. Door movement is gently slowed approx. 10 cm before the end of the end stop. The door leaves then move automatically and almost silently into the end position. The Levolan 120 SoftStop can be retro-fitted and adapts the sliding door to changing user requirements.



APPLICATION RANGE

- For toughened safety glass elements of 10 and 12 mm as well as laminated safety glass of up to 12 mm (with additional LSG kit) and wooden leaves up to a weight of 120 kg
- For all 1- and multiple-leaf sliding doors
- With or without fixed panel
- For attachment on the wall and ceiling (directly and concealed) as well as for glass installation
- Damped on one or both sides with Levolan 120 SoftStop
- Smooth running with Levolan 120 SoftStop makes it particularly well suited for doors in living and office spaces

TECHNICAL DATA

Product features	GEZE Levolan 120
Leaf material	Glass, wood, plastic, metal
Leaf weight (max.)	120 kg
Leaf weight (max.) with draw-in damper	120 kg
Number of leaves	1-leaf, 2-leaf
Test cycles	100,000
Corrosion protection class	3
Type of installation	Wall installation, ceiling installation, glass installation, concealed ceiling
Fixed panel	•

• = yes

Classification in accordance with DIN EN 1527

GEZE Levolan 120								
Usage category	Duration of functional ability	Door weight	Fire resistance	Safety	Corrosion resistance	Protection	Door type	Initial friction
-	6	3	-	1	3	-	1	3

The description of the classes can be found at the end of the catalogue.

OVERVIEW OF COMPONENTS FOR GLASS MOUNTING

GEZE Levolan 120 glass leaf SoftStop one-sided wall mounting with spacer profile for wall clearance

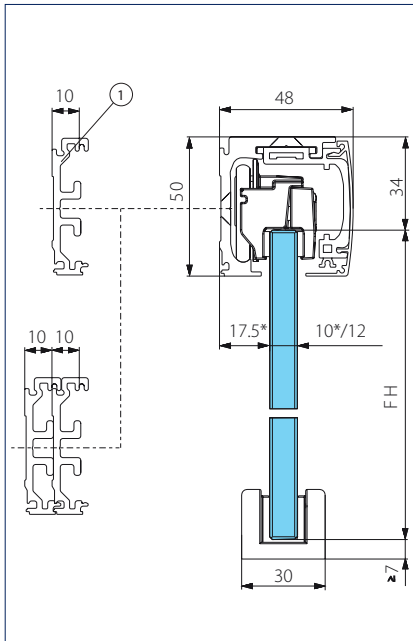


- 1 = Spacer profile for wall clearance Levolan
- 2 = Track Levolan
- 3 = Cover panel bracket Levolan
- 4 = End stop with hold-open device Levolan
- 5 = End cover Levolan

- 6 = Front cover profile Levolan
- 7 = Levolan 120 SoftStop one-sided
- 8 = Roller carriage Levolan 120
- 9 = Glass leaf (on site)
- 10 = Floor guide for glass leaf (adjustable)

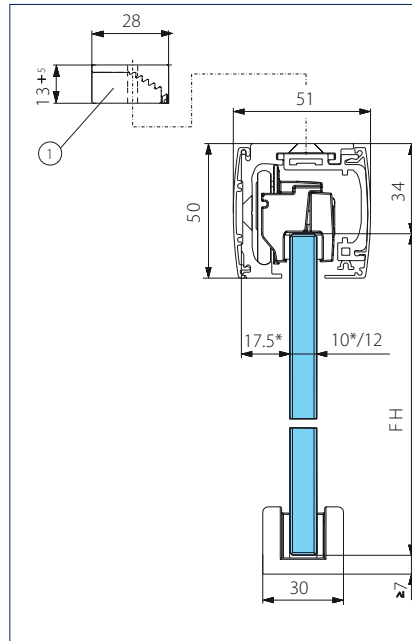
CROSS-SECTION DRAWINGS

The fitting can be attached directly to the ceiling, to the wall, a fixed panel or a fanlight.



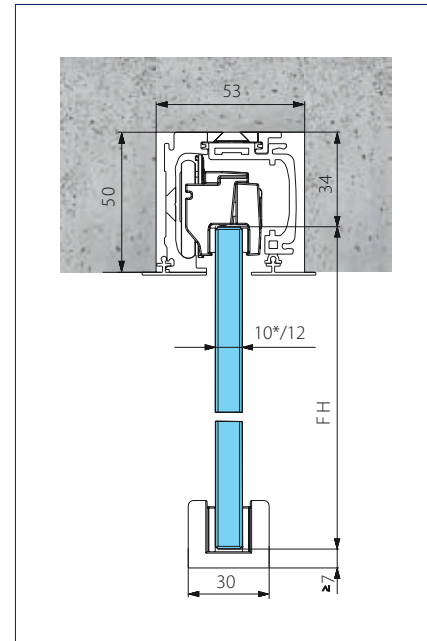
Wall mounting glass

- * = Dependence dimension shown with 10 mm panel thickness
- FH = Leaf height
- 1 = Spacer profile for wall clearance



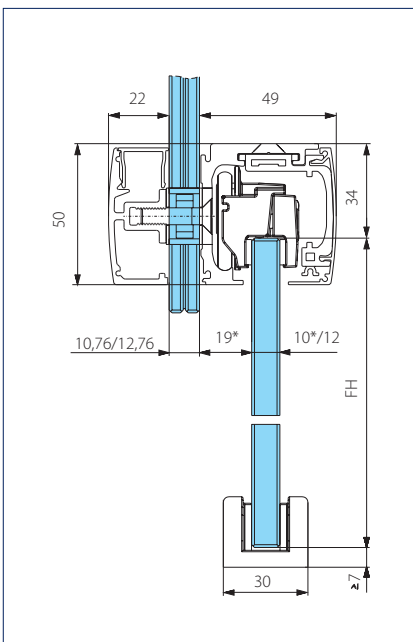
Ceiling mounting glass

- * = Dependence dimension shown with 10 mm panel thickness
- FH = Leaf height
- 1 = Height compensation mechanism



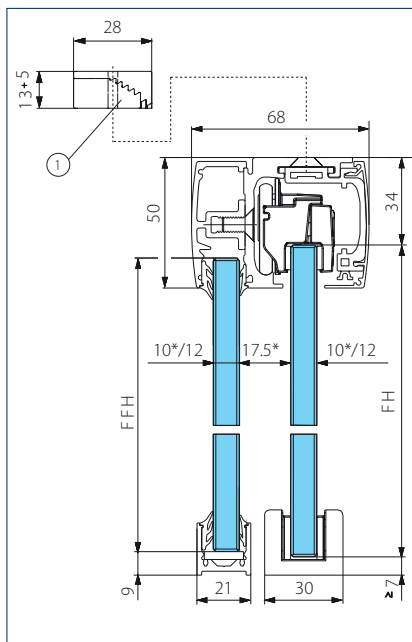
Concealed ceiling mounting glass

FH = Leaf height



Fanlight mounting glass

- * = Dependence dimension shown with 10 mm panel thickness
- FH = Leaf height



Fixed panel mounting glass

- * = Dependence dimension shown with 10 mm panel thickness
- FH = Leaf height
- FFH = Fixed panel height
- 1 = Height compensation mechanism

Note: Fixed panel and glass mounting analogue to Levolan 60 but with roller carriage Levolan 120

OVERVIEW OF COMPONENTS

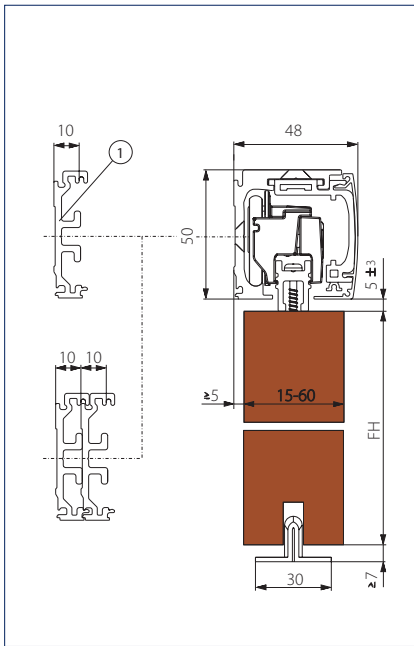
GEZE Levolan 120 wooden leaf SoftStop one-sided wall mounting with spacer profile for wall clearance



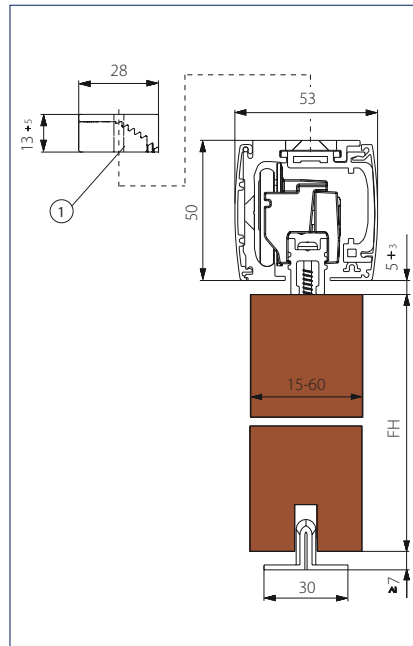
- 1 = Spacer profile for wall clearance Levolan
- 2 = Track Levolan
- 3 = Cover panel bracket Levolan
- 4 = End stop with hold-open device Levolan
- 5 = End cover Levolan
- 6 = Front cover profile Levolan

- 7 = Levolan 120 SoftStop one-sided
- 8 = Roller carriage Levolan 120
- 9 = Clamping profile for attaching wooden/metal leaves
- 10 = Wooden leaf (on site)
- 11 = Floor guide for wooden leaf

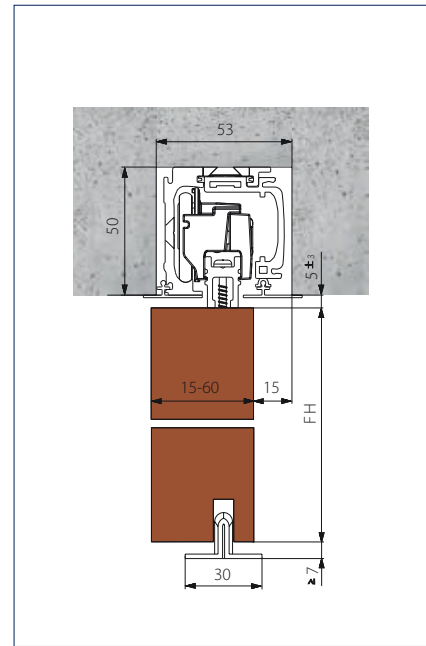
CROSS-SECTION DRAWINGS



Wall mounting wood
 FH = Leaf height
 1 = Spacer profile for wall clearance



Ceiling mounting wood
 FH = Leaf height
 1 = Height compensation mechanism



Concealed ceiling mounting wood
 FH = Leaf height

ORDER INFORMATION LEVOLAN 60 / LEVOLAN 120

Description	Leaf width from - to	Length	Version	ID no.
Levolan 60 complete set for wall mounting	400 mm 840 mm	1650 mm	EV1	147164
	400 mm 1040 mm	2050 mm	EV1	147165
	400 mm 1240 mm	2450 mm	EV1	147166
	400 mm 840 mm	1650 mm	stainless steel optic	147167
	400 mm 1040 mm	2050 mm	stainless steel optic	147168
	400 mm 1240 mm	2450 mm	stainless steel optic	147169
	640 mm 1240 mm	2450 mm	EV1	157939
	640 mm 1440 mm	2850 mm	EV1	157940
	640 mm 1240 mm	2450 mm	stainless steel optic	157943
Levolan 120 complete set for wall mounting	640 mm 1440 mm	2850 mm	stainless steel optic	157944
	Levolan 60 / 120 complete set bespoke			147170
Accessories				
Levolan 60 SoftStop set, damped on one side, up to 60 kg for draw-in damper on the left, comprising: 1 x damping unit, 1 x spacer for cover panel bracket, 1 x trigger, can also be retro-fitted - minimum leaf width 570 mm	1240 mm 570 mm			146370
Levolan 60 SoftStop set, damped on one side, up to 60 kg for draw-in damper on the right, comprising: 1 x damping unit, 1 x spacer for cover panel bracket, 1 x trigger, can also be retro-fitted - minimum leaf width 570 mm	1240 mm 570 mm			146401
Levolan 60 SoftStopDuo, damped on one side, up to 60 kg for draw-in damper on the left & right, comprising: 1 x double damping unit, 2 x spacer for cover panel bracket, 2 x trigger, can also be retro-fitted - minimum leaf width 770 mm	1240 mm 770 mm			146402

GEZE LEVOLAN 60 / LEVOLAN 120

Description	Leaf width from - to	Length	Version	ID no.
Set for Levolan 120 SoftStop, damped on one side, up to 120 kg for draw-in damper on the left, comprising: 1 x damping unit, 2 x spacer for cover panel bracket, 1 x trigger, can also be retro-fitted - minimum leaf width on one side 900 mm, on both sides 1,325 mm both sides	900 mm 2500 mm			157999
Set for Levolan 120 SoftStop, damped on one side, up to 120 kg for draw-in damper on the right, comprising: 1 x damping unit, 2 x spacer for cover panel bracket, 1 x trigger, can also be retro-fitted - minimum leaf width one side 900 mm, on both sides 1,325 mm	900 mm 2500 mm			158000
Cover profile for ceiling installation Levolan 60/120 set for facing the back for ceiling mounting, with end covers and fixing insert		1650 mm	EV1	147221
		2050 mm	EV1	147222
		2450 mm	EV1	147223
	640 mm 1440 mm	2850 mm	EV1	157919
		1650 mm	stainless steel optic	147224
		2050 mm	stainless steel optic	147225
		2450 mm	stainless steel optic	147226
	640 mm 1440 mm	2850 mm	stainless steel optic	157921
		1650 mm	EV1	147227
		2050 mm	EV1	147228
Additional fixed panel profile set Levolan 60/120 as add-on profile for creating a fixed panel at the side, comprising: additional profile, cover profile for free fixed panel area, glass seal 12 m, U-profile 1.5 m, end cover U-profile incl. glass supports, attachment set for fixed panel		2450 mm	EV1	147229
	640 mm 1440 mm	2850 mm	EV1	157963
		1650 mm	stainless steel optic	147230
		2050 mm	stainless steel optic	147231
		2450 mm	stainless steel optic	147232
	640 mm 1440 mm	2850 mm	stainless steel optic	157965
		1650 mm	EV1	145487
	2050 mm	EV1	145488	
	2450 mm	EV1	145489	
	2850 mm	EV1	157975	
Track Levolan 60 / 120 for ceiling and wall installation		6000 mm	EV1	145490
		1650 mm	stainless steel optic	145541
		2050 mm	stainless steel optic	145542
		2450 mm	stainless steel optic	145543
		2850 mm	stainless steel optic	157977
		6000 mm	stainless steel optic	145544
	Track Levolan 60 / 120 bespoke			
Roller carriage set Levolan 60 2 pcs., up to 60 kg leaf weight, including clamping inserts for 8-12 mm toughened safety glass and 2 hold-open springs				146148
Roller carriage set for Levolan 120 2 pieces, up to 120 kg door leaf weight, including clamping inserts for 10-12 mm toughened safety glass and 2 hold-open springs				157928
Front cover profile Levolan 60 / 120 for covering the front for wall and ceiling mounting		1650 mm	EV1	145547
		2050 mm	EV1	145548
		2450 mm	EV1	145549
		2850 mm	EV1	157979
		6000 mm	EV1	145550
		1650 mm	stainless steel optic	145551
		2050 mm	stainless steel optic	145552
		2450 mm	stainless steel optic	145553
		2850 mm	stainless steel optic	157981
		6000 mm	stainless steel optic	145554
Front cover profile Levolan 60 / 120 bespoke				145555
Cover panel bracket set with end stop Levolan 60/120 for attachment of the front cover profile, comprising: 6 cover panel brackets, 2 end stops (left + right). Up to track length 2450 mm				146146

GEZE LEVOLAN 60 / LEVOLAN 120

Description	Leaf width from - to	Length	Version	ID no.
Additional cover panel bracket set Levolan 60/120 additional attachments for the front cover profile, comprising: 2 cover panel brackets, from track length 2450 mm. 2 brackets per m required				159190
Cover profile for ceiling installation Levolan 60/120 for covering the back for ceiling mounting		1650 mm	EV1	145598
		2050 mm	EV1	145599
		2450 mm	EV1	145600
		2850 mm	EV1	157983
		6000 mm	EV1	145611
		1650 mm	stainless steel optic	145612
		2050 mm	stainless steel optic	145613
		2450 mm	stainless steel optic	145614
Cover profile for ceiling installation Levolan 60/120 bespoke		2850 mm	stainless steel optic	157985
		6000 mm	stainless steel optic	145615
Cover profile for concealed / ceiling-flush installation Levolan 60 / 120 for covering the underside of the Levolan 60 / 120 for installation flush to the ceiling (identical on both sides)		1650 mm	EV1	147568
		2050 mm	EV1	147569
		2450 mm	EV1	147570
		2850 mm	EV1	157995
		6000 mm	EV1	147601
		1650 mm	stainless steel optic	147602
		2050 mm	stainless steel optic	147603
		2450 mm	stainless steel optic	147604
Cover profile for concealed / ceiling-flush installation Levolan 60 / 120 bespoke		2850 mm	stainless steel optic	157997
		6000 mm	stainless steel optic	147605
Additional fixed panel profile / glass installation Levolan 60 / 120 as add-on profile for creating a fixed panel at the side or for attachment of the Levolan 60 / 120 to a glass fanlight		1650 mm	EV1	146297
		2050 mm	EV1	146298
		2450 mm	EV1	146299
		2850 mm	EV1	157987
		6000 mm	EV1	146300
		1650 mm	stainless steel optic	146301
		2050 mm	stainless steel optic	146302
		2450 mm	stainless steel optic	146303
		2850 mm	stainless steel optic	157989
		6000 mm	stainless steel optic	146304
Additional fixed panel profile / glass installation Levolan 60 / 120 bespoke				146305
U-profile fixed panel Perlan / Levolan		6000 mm	EV1	126965
		6050 mm	stainless steel optic	128294
U-profile fixed panel Perlan / Levolan bespoke			EV1	128076
			stainless steel optic	128295
Cover profile fixed panel for Perlan / Levolan 60 / 120 for covering the unused fixed panel area with Perlan / Levolan 60 / 120 as well as for top cover with glass installation Levolan 60 / 120		6000 mm	EV1	127003
		6050 mm	stainless steel optic	128342
Cover profile fixed panel for Perlan / Levolan 60 / 120 bespoke			EV1	128078
			stainless steel optic	128343
End cover set Levolan 60/120 for wall mounting, fixed panel, glass installation			EV1	146341
			black	146343
			stainless steel optic	146342
			acc. to RAL	146344
End cover set Levolan 60/120 for ceiling mounting			EV1	146345
			black	146347
			stainless steel optic	146346
			acc. to RAL	146348
End cover set with 2 glazing supports for use with U-profile fixed panel with Perlan / Levolan, comprising: end cover, 2 x screw, 2 x glazing block 15 x 3 mm			EV1	127001
			stainless steel optic	128361

GEZE LEVOLAN 60 / LEVOLAN 120

Description	Leaf width from - to	Length	Version	ID no.
Glass seal for Perlan / Levolan fixed panel for 8 / 10 / 12 mm glass thickness		12000 mm	black	158650
		12000 mm	grey	126869
Spacer profile for wall clearance Levolan 60 / 120 10 mm additional space, can be stacked up to 20 mm		1650 mm	EV1	147555
		2050 mm	EV1	147556
		2450 mm	EV1	147557
		2850 mm	EV1	157991
		6000 mm	EV1	147558
		1650 mm	stainless steel optic	147559
		2050 mm	stainless steel optic	147560
		2450 mm	stainless steel optic	147571
	2850 mm	stainless steel optic	157993	
	6000 mm	stainless steel optic	147572	
Spacer profile for wall clearance Levolan 60 / 120 bespoke				147573
Set of attachment materials for glass Levolan 60 / 120 2 screws for attachment of the additional profile through a glass pane on the track, including glass protection sleeves. From track length 2450 to 2850 mm.				132455
Set of attachment materials for glass Levolan 60 / 120 6 screws for attachment of the additional profile through a glass pane on the track, including glass protection sleeves. Up to track length 2050 mm.				146362
Set of attachment material for fixed panel Levolan 60 / 120 6 screws for attachment of the fixed panel add-on profile on the track. Up to track length 2050 mm.				147163
Fixing insert set Levolan 60/120 for attaching the back cover profile and the spacer profile for wall clearance				148091
Height compensation mechanism/ceiling spacer set, with variable adjustment 6 pcs., height compensation mechanism with variable adjustment from 13 mm to 18 mm. For use for ceiling mounting using clip-on cover 100/145 as well as for general use on uneven ceilings				138099
LSG glueing bracket set for use with laminated safety glass in connection with Levolan 120, without adhesive				157930
LSG glueing bracket set for use with laminated safety glass in connection with Levolan 60, without adhesive				148092
LSG glass / metal glue 5x1 g for up to 5 doors				133056
LSG glass / metal glue 50 g for up to 30 doors				133039
Clamping profile for attaching wooden/metal leaves for the attachment of door leaves made of wood / metal / plastic to Levolan 60 / 120		1000 mm	EV1	146957
		1500 mm	EV1	146958
Clamping profile for attaching wooden/metal leaves bespoke			EV1	146959
Floor guide for wooden leaf standard without attachment material			galvanised	002191
Floor guide for glass leaf (stainless steel) for 8, 10, 12 mm glass			stainless steel	134990
Floor guide for glass leaf (adjustable) with variable adjustment for glass thickness 8-13.5 mm, with frieze band for noise reduction with structured glass surfaces, without attachment material			silver-coloured	120417
			stainless steel optic	148019
			acc. to RAL	149657
Flush pull, 8-12 mm glass closed, outer diameter 60 mm, glass drill hole 40 mm			stainless steel	138670
Flush pull, 15-80 mm wood outer diameter 60 mm, specify leaf thickness when ordering			stainless steel	127614
Door pull handle, configured			stainless steel	127616

GEZE LEVOLAN 60 / LEVOLAN 120



Track



Roller carriage Levolan 60



Roller carriage Levolan 120



Levolan 60 SoftStop one-sided left



Levolan 60 SoftStopDuo



Levolan 120 SoftStop one-sided left



Front cover profile



Cover profile for ceiling installation



Additional fixed panel profile glass clamp



U-profile fixed panel



Cover profile fixed panel



End cover set



Glass seal for fixed panel



Set of attachment material



Fixing insert set for glass



Height compensation mechanism



LSG glueing bracket set



LSG glass / metal glue



Clamping profile for attaching wood / metal leaves



Floor guide for wooden leaf



Floor guide for glass leaf
Stainless steel



Floor guide for glass leaf
adjustable



Flush pull glass
closed



Stainless steel door pull
handle





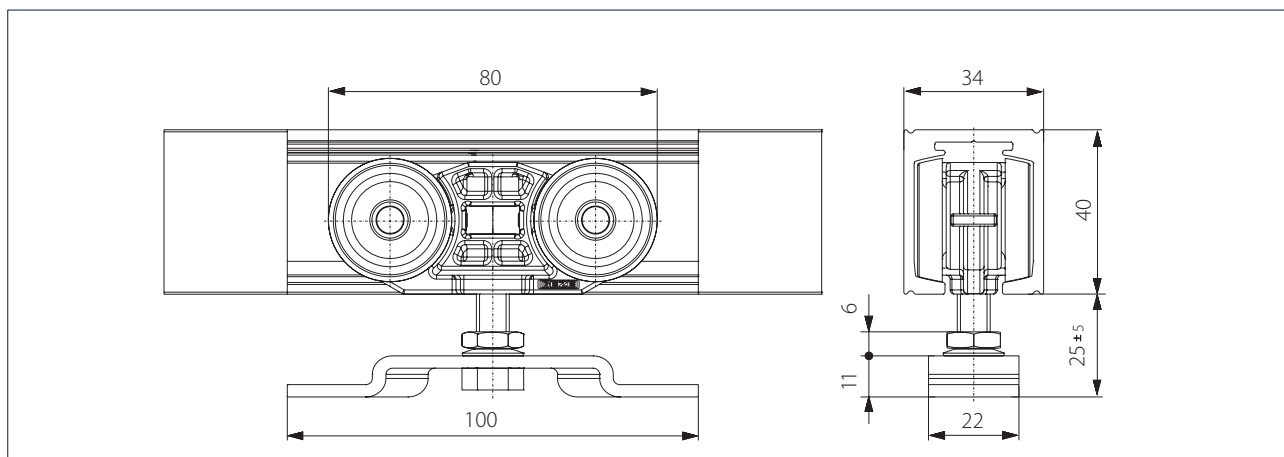
GEZE PERLAN 140

GEZE Perlan 140

The all-rounder among sliding fitting systems

The GEZE Perlan 140 is a roller-guided sliding system suitable for 1-leaf and multiple-leaf as well as for synchronous sliding door systems. The fitting technology is integrated in the track, which is 40 mm high, and can be used for leaf weights of up to 140 kg. The discreet sliding system fits in with any room design, and the comprehensive range of accessories permits numerous elegant and customised solutions for permanent use in heavily frequented living and working areas. With two precision ball bearings per roller carriage, its track design and the large carrier rollers, the Perlan 140 ensures extremely smooth running. The interior, sealed ball bearings provide corrosion protection for slightly humid interiors. The track in anodised alloy material reduces abrasion and also guarantees increased corrosion protection. Since the distance between the leaf and the wall can be selected using the wall bracket, the door can be adjusted to individual situations, e.g. for precise installation of the track where masonry is uneven. The elegant profile makes the Perlan 140 ideal for installation in visible areas. The track is also available in a curved version on request.

With the draw-in damper **GEZE Perlan 140 SoftStop** the door is gently slowed down and pulls itself automatically into the zero position. The gentle retraction into the end position is easy on the door and the fittings, thus increasing the life span of the door. The GEZE Perlan 140 SoftStop is completely concealed in the track and has a total height of only 40mm. It is available for leaf widths between 515 and 1700 mm and for leaf weights of up to 80 kg.



APPLICATION RANGE

- For wooden, metal, plastic and glass doors
- There are various additional parts available for glass leaves e.g. glass clamping plate, fixed panel holder or all-glass holder
- For all 1- or multiple-leaf and synchronous sliding doors
- For wall, ceiling and fixed panel attachment
- Smooth running and high-quality materials make it particularly well suited for doors in heavily frequented living and office spaces

TECHNICAL DATA

Product features	GEZE Perlan 140
Leaf material	Wood, plastic, metal, glass
Leaf weight (max.)	140 kg
Leaf weight (max.) with draw-in damper	80 kg
Test cycles	100,000
Corrosion protection class	2
Type of installation	Wall installation, ceiling installation
Telescope	•
Automated	•
Fixed panel	•

• = yes

Standard dimensions in mm

Leaf width (FB)	Track length (L)	Distance between drill holes (t)	Number of drill holes (n)	Distance from first drill hole (centre) to end of track (y)
500 - 840	1650	350	5	125
500 - 1040	2050	350	6	150
500 - 1240	2450	350	7	175
500 - 1440	2850	350	9	25
500 - 1640	3250	350	10	50
Stock length (LL)	6000	350	18	25

Classification in accordance with DIN EN 1527

GEZE Perlan 140								
Usage category	Duration of functional ability	Door weight	Fire resistance	Safety	Corrosion resistance	Protection	Door type	Initial friction
-	6	3	-	1	2	-	1	3

The description of the classes can be found at the end of the catalogue.

OVERVIEW OF COMPONENTS

GEZE Perlan 140 with SoftStopDuo glass leaf with glass clamping plate 30 mm and continuous cover

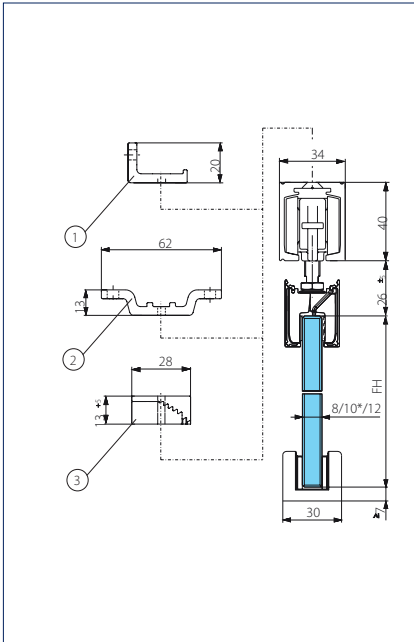


- 1 = Track Perlan 140
- 2 = End stop with trigger for Perlan SoftStop
- 3 = Perlan SoftStopDuo
- 4 = Continuous cover for glass clamping plate 30 mm

- 5 = Glass clamping plate 30 mm
- 6 = End cover Glass clamping plate 30 mm
- 7 = Glass leaf (on site)
- 8 = Floor guide for glass leaf (adjustable)

CROSS-SECTION DRAWINGS

The fitting can be attached directly to the ceiling or by means of a bracket to the wall or ceiling.



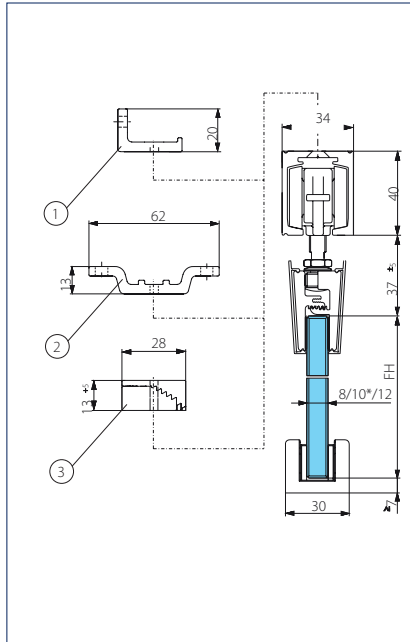
Wall / ceiling mounting glass with glass clamping plate 30 and continuous cover

FH = Leaf height

1 = Wall bracket

2 = Ceiling bracket

3 = Height compensation mechanism



Wall / ceiling mounting glass with glass clamping plate 45 and continuous cover

FH = Leaf height

1 = Wall bracket

2 = Ceiling bracket

3 = Height compensation mechanism

OVERVIEW OF COMPONENTS

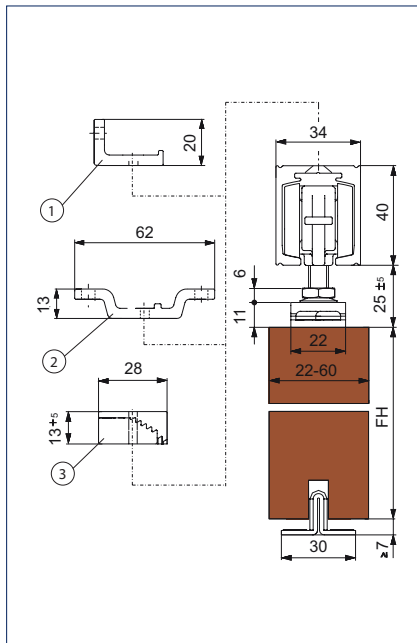
GEZE Perlan 140 wooden leaf ceiling mounting



- 1 = Track Perlan 140
- 2 = End stop Perlan 140
- 3 = Roller carriage Perlan 140
- 4 = Suspension plate Perlan 140
- 5 = Wooden leaf (on site)
- 6 = Floor guide for wooden leaf

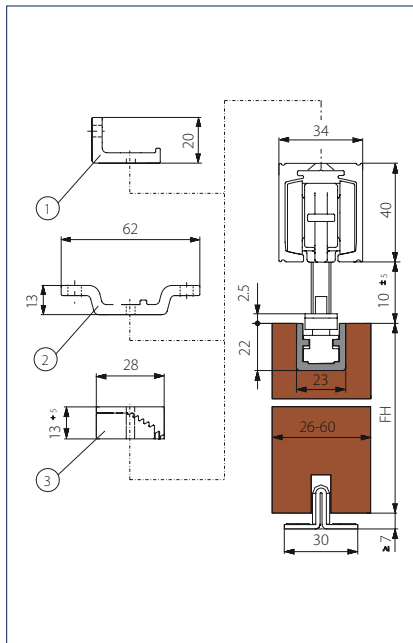
CROSS-SECTION DRAWINGS

The fitting can be attached directly to the ceiling or by means of a bracket or plate to the wall or ceiling



Wall / ceiling mounting

- FH = Leaf height
 1 = Wall bracket
 2 = Ceiling bracket
 3 = Height compensation mechanism



Wall / ceiling mounting with concealed suspension profile

- FH = Leaf height
 1 = Wall bracket
 2 = Ceiling bracket
 3 = Height compensation mechanism

GEZE PERLAN 140

OVERVIEW OF COMPONENTS

GEZE Perlan 140 SoftStop one-sided wooden leaf ceiling mounting concealed suspension profile



- 1 = Track Perlan 140
- 2 = End stop Perlan 140
- 3 = End stop with trigger for Perlan SoftStop
- 4 = Perlan SoftStop one-sided
- 5 = Concealed suspension profile
- 6 = Wooden leaf (on site)
- 7 = Floor guide for wooden leaf

ORDER INFORMATION PERLAN 140

Description	Leaf width from - to	Length	Version	ID no.
Perlan 140 set for wooden leaves for ceiling installation with standard suspension plate, up to 140 kg leaf weight	500 mm 840 mm	1650 mm	EV1	119353
	500 mm 1040 mm	2050 mm	EV1	119354
	500 mm 1240 mm	2450 mm	EV1	119355
	500 mm 1440 mm	2850 mm	EV1	119356
	500 mm 1640 mm	3250 mm	EV1	119357
Perlan 140 set for wooden leaves for wall installation with suspension plate and standard wall bracket, up to 140 kg leaf weight	500 mm 840 mm	1650 mm	EV1	119337
	500 mm 1040 mm	2050 mm	EV1	119338
	500 mm 1240 mm	2450 mm	EV1	119339
	500 mm 1440 mm	2850 mm	EV1	119340
	500 mm 1640 mm	3250 mm	EV1	119351
Perlan 140 set for glass leaves for ceiling installation with glass clamping plate individually covered, up to 140 kg leaf weight	500 mm 840 mm	1650 mm	EV1	134833
	500 mm 1040 mm	2050 mm	EV1	134834
	500 mm 1240 mm	2450 mm	EV1	134835
	500 mm 840 mm	1650 mm	stainless steel optic	134843
	500 mm 1040 mm	2050 mm	stainless steel optic	134844
	500 mm 1240 mm	2450 mm	stainless steel optic	134845

Description	Leaf width from - to	Length	Version	ID no.
Perlan 140 set for glass leaves for wall installation with concealed wall bracket and glass clamping plate individually covered, up to 140 kg leaf weight	500 mm 840 mm	1650 mm	EV1	134836
	500 mm 1040 mm	2050 mm	EV1	134837
	500 mm 1240 mm	2450 mm	EV1	134839
	500 mm 840 mm	1650 mm	stainless steel optic	134846
	500 mm 1040 mm	2050 mm	stainless steel optic	134847
	500 mm 1240 mm	2450 mm	stainless steel optic	134848
Perlan 140 set for wooden leaves for ceiling installation with standard suspension plate and Perlan SoftStop, up to 80 kg leaf weight. Perlan SoftStop one-sided, for track 2450 mm two-sided.	535 mm 1000 mm	2050 mm	EV1	134887
	860 mm 1240 mm	2450 mm	EV1	134888
Perlan 140 set for wooden leaves for wall installation with suspension plate, standard wall bracket and Perlan SoftStop, up to 80 kg leaf weight. Perlan SoftStop one-sided, for track 2450 mm two-sided.	535 mm 1000 mm	2050 mm	EV1	134891
	860 mm 1240 mm	2450 mm	EV1	134892
Perlan 140 set for glass leaves for ceiling installation with glass clamping plate individually covered and Perlan SoftStop, up to 80 kg leaf weight. Perlan SoftStop one-sided, with 2450 mm track two-sided.	575 mm 1000 mm	2050 mm	EV1	134851
	900 mm 1240 mm	2450 mm	EV1	134852
	575 mm 1000 mm	2050 mm	stainless steel optic	134857
	900 mm 1240 mm	2450 mm	stainless steel optic	134858
Perlan 140 set for glass leaves for wall installation with concealed wall bracket, glass clamping plate individually covered and Perlan SoftStop, up to 80 kg leaf weight. For 2050 mm track length Perlan SoftStop one-sided, for 2450 mm track length Perlan SoftStop two-sided.	575 mm 1000 mm	2050 mm	EV1	134854
	900 mm 1240 mm	2450 mm	EV1	134855
	575 mm 1000 mm	2050 mm	stainless steel optic	134860
	900 mm 1240 mm	2450 mm	stainless steel optic	134861
Accessories				
Perlan SoftStop set, short version, damped on one side, up to 80 kg The set includes: 2 x roller carriage with damping unit on one side, 2 x end stop, 1 x trigger with fixing screw, 2 x standard suspension plate	575 mm 900 mm			128876
Perlan SoftStop set, medium version, damped on one side, up to 80 kg The set includes: 2 x roller carriage with damping unit on one side, 2 x end stop, 1 x trigger with fixing screw, 2 x standard suspension plate	900 mm 1290 mm			128877
Set Perlan SoftStopDuo, damped on both sides, up to 80 kg The set includes: 2 x roller carriage with damping unit on both sides, 2 x end stop, 2 x trigger with fixing screws, 2 x standard suspension plate	750 mm 1290 mm			150071
Perlan SoftStop set, long version, damped on both sides, up to 80 kg The set includes: 2 x roller carriage with damping unit on both sides, 2 x end stop, 2 x trigger with fixing screws, 2 x standard suspension plate	1290 mm 1700 mm			128891
Accessory set basic components Perlan 140 for wall mounting, comprising: 2 x roller carriage, 2 x end stop, 2 x suspension plate, 1 x hold-open spring, 2 x suspension bolt, 2 x end cover, 1 x floor guide for wooden leaf, incl. standard wall bracket (length = can be used up to track length)	500 mm 840 mm	1650 mm		119358
	500 mm 1240 mm	2450 mm		119359
	500 mm 1640 mm	3250 mm		119360
Accessory set basic components Perlan 140 for ceiling mounting, comprising: 2 x roller carriage, 2 x end stop, 2 x suspension plate, 1 x hold-open spring, 2 x suspension bolt, 2 x end cover, 1 x floor guide for wooden leaf	500 mm 1640 mm			119361
Accessory set basic components Perlan 140 KS corrosion-protected for external use, for ceiling mounting, comprising: 2 x roller carriage, 2 x end stop, 2 x suspension plate, 1 x hold-open spring, 2 x suspension bolt, 2 x end cover	500 mm 1640 mm			119510

GEZE PERLAN 140

Description	Leaf width from - to	Length	Version	ID no.
Accessory set basic components Perlan 140 KS corrosion-protected for external use, for wall mounting, comprising: 2 x roller carriage, 2 x end stop, 2 x suspension plate, 1 x hold-open spring, 2 x suspension bolt, 2 x end cover, incl. standard wall bracket (length = can be used up to track length)	500 mm 840 mm	1650 mm		119507
	500 mm 1240 mm	2450 mm		119508
	500 mm 1640 mm	3250 mm		119509
Track Perlan 140 with countersunk drill holes (prepared for Perlan SoftStop)		1650 mm	EV1	135046
		2050 mm	EV1	135047
		2450 mm	EV1	135048
		2850 mm	EV1	142518
		3250 mm	EV1	142519
		6000 mm	EV1	128660
		1650 mm	stainless steel optic	135049
		2050 mm	stainless steel optic	135050
		2450 mm	stainless steel optic	135061
		6000 mm	stainless steel optic	128662
Track Perlan 140 with countersunk drill holes, bespoke (prepared for Perlan SoftStop)			EV1	128661
			stainless steel optic	128663
End cover for Perlan track			black	119649
End stop Perlan 140 (also KS) steel parts made of stainless steel				119362
Leaf stop				000339
Hold-open spring				064242
Concealed suspension profile set 2 pcs., for milling into the wooden leaf, including suspension bolts and flat open-ended spanner for height adjustment				138015
Suspension plate Perlan 140 without attachment material				064236
Suspension plate Perlan 140 KS corrosion-protected, for external use and in aggressive environments, without attachment material			stainless steel	117355
Suspension bolt Perlan 140 with combination nut				063839
Suspension bolt Perlan 140 KS with combination nut			stainless steel	117357
End stop with adjustable hold-open spring				069274
Ceiling bracket Perlan 140 with fixing screw for track				119315
Wall bracket Perlan 140 KS corrosion-protected, for external use and in aggressive environments, with sliding block and fixing screw for track				119319
Wall bracket Perlan 140 with sliding block and fixing screw for track				119318
Floor guide for wooden leaf standard without attachment material			galvanised	002191
Floor guide for glass leaf (stainless steel) for 8, 10, 12 mm glass			stainless steel	134990

Description	Leaf width from - to	Length	Version	ID no.
Floor guide for glass leaf (adjustable) with variable adjustment for glass thickness 8-13.5 mm, with frieze band for noise reduction with structured glass surfaces, without attachment material			silver-coloured	120417
			stainless steel optic	148019
			acc. to RAL	149657
Buffer for continuous floor guide				124655
Buffer for continuous glass floor guide				124656
Height compensation mechanism/ceiling spacer set, with variable adjustment 6 pcs., height compensation mechanism with variable adjustment from 13 mm to 18 mm. For use for ceiling mounting using clip-on cover 100/145 as well as for general use on uneven ceilings				138099
Flush pull, 8-12 mm glass Closed, outer diameter 60 mm, glass drill hole 40 mm			stainless steel	138670
Flush pull, 15-80 mm wood Outer diameter 60 mm, specify leaf thickness when ordering			stainless steel	127614
Door pull handle, configured			stainless steel	127616



Track



Perlan roller carriage



Perlan SoftStop One-sided



Perlan SoftStop Duo



Perlan SoftStop on both
sides



End cover for Perlan track



End stop



End stop with adjustable
hold-open spring



Concealed suspension
profile



Suspension plate



Suspension bolt



End stop with adjustable
hold-open spring



Ceiling bracket



Wall bracket



Floor guide for wooden
leaf



Floor guide for glass leaf
Stainless steel



Floor guide for glass leaf
adjustable



Height compensation
mechanism



Flush pull glass
closed



Stainless steel door pull
handle

GEZE GLASS CLAMPING PLATES





GEZE GLASS CLAMPING PLATES

GEZE glass clamping plates 30 mm and 45 mm

Unobtrusive and easy to install for the GEZE sliding systems Rollan and Perlan

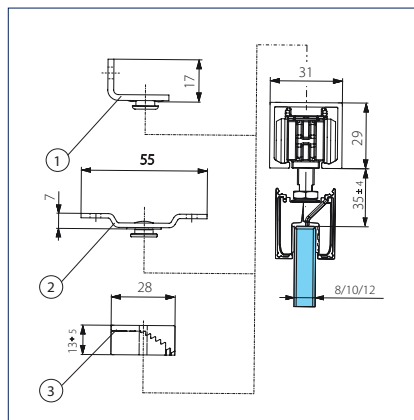
The GEZE glass clamping plates offer easier installation without the need for extensive glass processing. The complete cover for the suspension plates results in a continuous look. The clamping plate is available in silver-coloured EV1, stainless steel optic or RAL colours upon request. Since the gap between the clamping plate and track is hardly visible, there is no need for a cover to be mounted on site.

The glass clamping plate with an overall height of 30 mm for leaf weights of up to 80 kg is not visible when installed in a standard wall recess frame. Its length of only 110 mm makes it suitable for versatile use for almost all door widths. The glass clamping plate fits concealed under the clip-on cover 100 with GEZE Perlan AUT / Perlan AUT-NT, resulting in a complete system for automated glass doors.

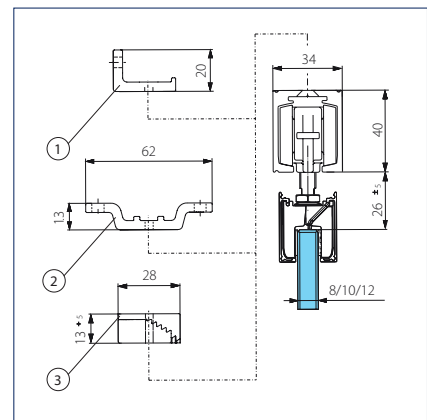
The glass clamping plate with an overall height of 45 mm bears leaf weights of up to 140 kg and of up to 80 kg with the Rollan system. It can be used for all standard glass thicknesses and can be adjusted to the respective glass thickness by means of the inner gearing parts. This makes installation and removal significantly easier.



GEZE glass clamping plate 30 mm



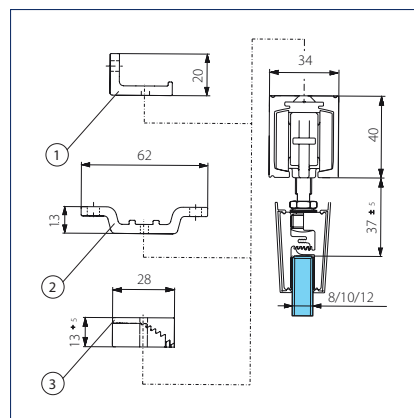
Rollan with glass clamping plate 30 mm
 1 = Wall bracket
 2 = Ceiling bracket
 3 = Height compensation mechanism



Perlan with glass clamping plate 30 mm
 1 = Wall bracket
 2 = Ceiling bracket
 3 = Height compensation mechanism



GEZE glass clamping plate 45 mm



Perlan with glass clamping plate 45 mm
 1 = Wall bracket
 2 = Ceiling bracket
 3 = Height compensation mechanism

APPLICATION RANGE

- For all GEZE sliding systems
- For toughened safety glass 8, 10, 12 mm as well as laminated safety glass up to 12.76 mm with additional laminated safety glass adhesive kit (without glass processing)
- Glass clamping plate 30 mm for leaf weights of up to 80 kg
- Glass clamping plate 45 mm for leaf weights of up to 140 kg or to the permissible maximum weight of the respective fitting system

ORDER INFORMATION

Description	Length	Version	ID no.
Glass clamping plate 30 mm set, continuously covered comprising 2 glass clamping plates incl. suspension bolts, continuous bespoke cover and end covers, EV1 or stainless steel optic, up to 80 kg leaf weight, for 8-12 mm toughened safety glass			142368
Glass clamping plate 30 mm set, individually covered comprising 2 glass clamping plates incl. suspension bolts, individually covered profiles and end covers, up to 80 kg leaf weight, for 8-12 mm toughened safety glass		EV1	142365
		stainless steel optic	142366
		acc. to RAL	142367
Glass clamping plate 30 mm set, without cover comprising 2 glass clamping plates incl. suspension bolts, up to 80 kg leaf weight, for 8-12 mm toughened safety glass			142364
Glass clamping plate 45 mm set, without cover comprising 2 glass clamping plates incl. suspension bolts, up to 140 kg leaf weight, for 8-12 mm toughened safety glass			125586
Glass clamping plate 45 mm set, individually covered comprising 2 glass clamping plates incl. suspension bolts, individually covered profiles and end covers, up to 140 kg leaf weight, for 8-12 mm toughened safety glass		EV1	125585
		stainless steel optic	134986
		acc. to RAL	126216
Glass clamping plate 45 mm set, continuous cover comprising 2 glass clamping plates incl. suspension bolts, continuous bespoke cover and end covers, EV1 or stainless steel optic, up to 140 kg leaf weight, for 8-12 mm toughened safety glass			125588
Accessories			
Cover profile glass clamping plate 30 mm for continuous cover, bespoke		EV1	141695
		stainless steel optic	141696
		acc. to RAL	141697
Cover profile glass clamping plate 30 mm for continuous cover, 2 profiles	3000 mm	EV1	142371
	3000 mm	stainless steel optic	142372
Cover profile glass clamping plate 30 mm for individual cover of 2 glass clamping plates		EV1	144032
		stainless steel optic	144033
Set of end pieces for glass clamping plate 30 mm 2 pcs. end pieces for mounting on the outside of the leaf for attachment of the continuous cover panel and side caps, necessary where the cover projects > 200 mm beyond the glass clamping plate			142373
End cover set for glass clamping plate 30 mm for 2 glass clamping plates		EV1	143346
		black	142369
		stainless steel optic	143347
		acc. to RAL	142370
Clamping insert, glass clamping plate 30 mm for 2 glass clamping plates, for use with 12.7 mm (1/2 inch) toughened safety glass			142634
LSG glueing bracket set for use with laminated safety glass in connection with glass clamping plate 30 mm, for 2 clamping plates, without adhesive			142386
LSG glass / metal glue 50 g for up to 30 doors			133039
LSG glass / metal glue 5x1 g for up to 5 doors			133056
Cover profile glass clamping plate 45 mm for continuous cover, bespoke		EV1	127628
		stainless steel optic	135033
		acc. to RAL	126108
Cover profile glass clamping plate 45 mm for continuous cover, 1 profile	3000 mm	EV1	126107
	3000 mm	stainless steel optic	135034
Set of end pieces for glass clamping plate 45 mm 2 end pieces for installation on the outside of the leaf for attachment of the continuous cover and side caps			133740
End cover set for glass clamping plate 45 mm for 2 glass clamping plates		EV1	137359
		black	125582
		stainless steel optic	137360
		acc. to RAL	127498
Clamping insert, glass clamping plate 45 mm for 2 glass clamping plates, for use with 12.7 mm (1/2 inch) toughened safety glass			133022
LSG glueing bracket set for use with laminated safety glass in connection with glass clamping plate 45 mm, for 2 clamping plates, without adhesive			133099

PERLAN 140 SYSTEM VARIANTS AND AUTOMATION

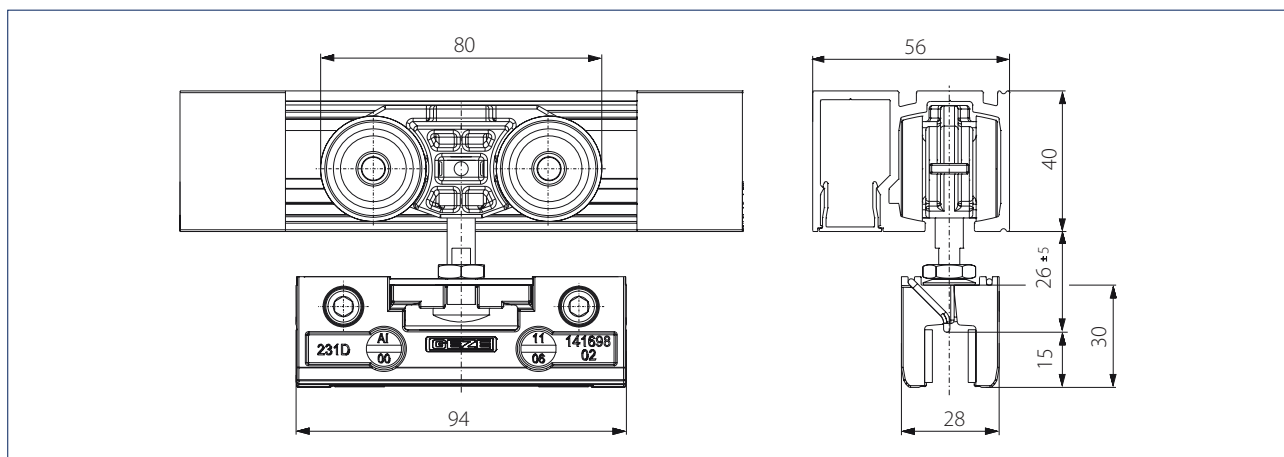




GEZE PERLAN 140 FIXED PANEL

GEZE Perlan 140 fixed panel

The integrated GEZE Perlan 140 solution with fixed panel creates transparent and convenient passages. The almost invisible floor and side profiles generate a uniform appearance and strengthen the generous special effect afforded by the glass appearance. Installation is quick and easy. The fixed panels are held securely by rubber seals in a choice of either black or grey, glueing is not necessary. Perlan 140 with fixed panel is available as a complete profile set 3 m for individual solutions, but all profiles and accessory parts can also be ordered individually.



APPLICATION RANGE

- For sliding leaves with fixed glazing
- For all standard door widths
- For fixed panels of up to 13 mm toughened safety glass or laminated safety glass
- Can be combined as a system with almost all Perlan 140 components

TECHNICAL DATA

Product features	GEZE Perlan 140 Fixed panel
Leaf material	Glass
Number of leaves	1-leaf, 2-leaf
Type of installation	Ceiling installation
Automated	•
Fixed panel	•
Duosync	•

• = YES

OVERVIEW OF COMPONENTS

GEZE Perlan 140 fixed panel glass leaf with glass clamping plate 30 mm, ceiling mounting with continuous cover

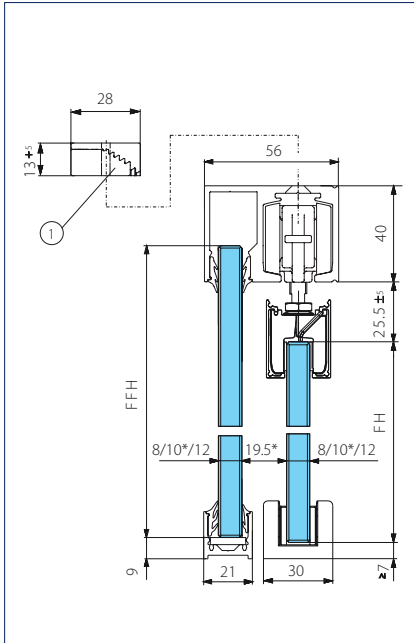


- 1 = Track and fixed panel profile Perlan 140
- 2 = Fixed panel cover profile
- 3 = End stop Perlan 140
- 4 = Roller carriage Perlan 140
- 5 = Continuous cover for glass clamping plate 30 mm
- 6 = End cover Glass clamping plate 30 mm

- 7 = Glass clamping plate 30 mm
- 8 = Glass seals
- 9 = U-profile fixed panel
- 10 = End cover U-profile fixed panel
- 11 = Glass leaf (on site)
- 12 = Floor guide for glass leaf (adjustable)

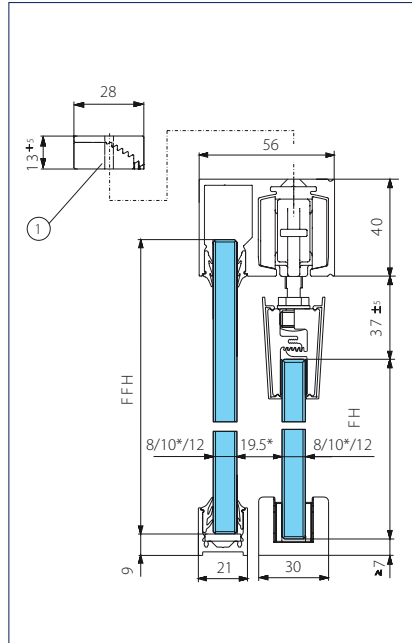
GEZE PERLAN 140 FIXED PANEL

CROSS-SECTION DRAWINGS



Fixed panel mounting glass with glass clamping plate 30, covered

- * = Dependence dimension shown with 10 mm panel thickness
- FH = Leaf height
- FFH= Fixed panel height
- 1 = Height compensation mechanism



Fixed panel mounting glass with glass clamping plate 45, covered

- * = Dependence dimension shown with 10 mm panel thickness
- FH = Leaf height
- FFH= Fixed panel height
- 1 = Height compensation mechanism

ORDER INFORMATION

Description	Length	Version	ID no.
Track Perlan 140, fixed panel	3000 mm	EV1	126962
	6000 mm	EV1	126963
	6050 mm	stainless steel optic	128344
Track Perlan 140, fixed panel bespoke		EV1	128077
		stainless steel optic	128345
Track Perlan 140 fixed panel with countersunk hole	6050 mm	EV1	128652
	6050 mm	stainless steel optic	128654
Track Perlan 140 fixed panel with countersunk hole bespoke		EV1	128653
		stainless steel optic	128655
Perlan fixed panel set bespoke			128079
Perlan fixed panel set complete profile set, comprising: 3 m track Perlan fixed panel, 1.5 m cover profile, 4.5 m U-profile, 12 m rubber seal		EV1	126995
Accessories			
Cover profile fixed panel for Perlan / Levolan 60 / 120	6000 mm	EV1	127003
for covering the unused fixed panel area with Perlan / Levolan 60 / 120 as well as for top cover with glass installation Levolan 60/120	6050 mm	stainless steel optic	128342
Cover profile fixed panel for Perlan / Levolan 60 / 120 bespoke		EV1	128078
		stainless steel optic	128343
U-profile fixed panel Perlan / Levolan	6000 mm	EV1	126965
	6050 mm	stainless steel optic	128294
U-profile fixed panel Perlan / Levolan bespoke		EV1	128076
		stainless steel optic	128295
Glass seal for Perlan / Levolan fixed panel for 8 / 10 / 12 mm glass thickness	12000 mm	black	158650
	12000 mm	grey	126869
End cover set with 2 glazing supports for use with U-profile fixed panel with Perlan / Levolan, comprising: end cover, 2 x screw, 2 x glazing block 15 x 3 mm		EV1	127001
		stainless steel optic	128361



Track fixed panel

U-profile fixed panel

Cover profile fixed panel

Glass seal for fixed panel

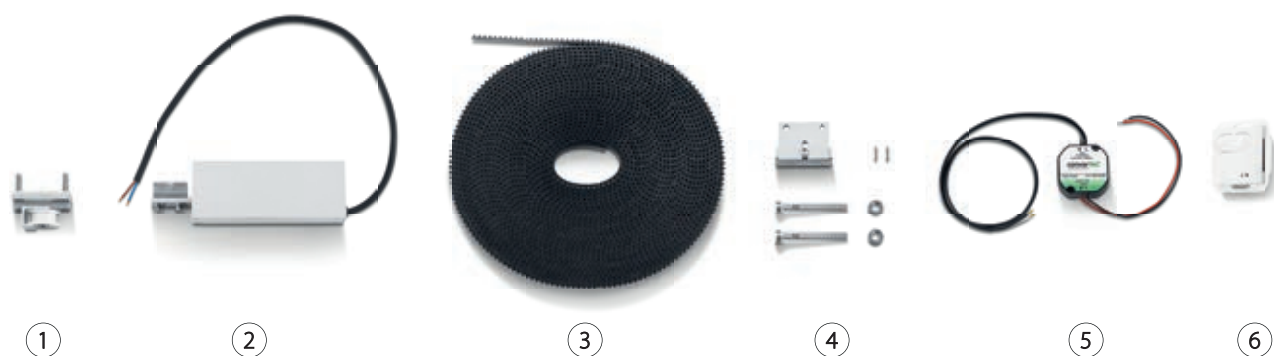
GEZE Perlan AUT-NT

The simple kind of sliding door automation

GEZE Perlan AUT-NT is a simple, elegant and cost-effective solution for the automation of light-weight internal sliding doors of up to 80 kg with all the added convenience of an automatic door. The convenient Push&Go function automatically sets the drive in motion with just a light push of the door leaf. The opening speed of up to 0.3 m/s, as well as the soft start and braking functions of the drive support access convenience. Various operating modes enable the system to be adapted to individual user requirements. Perlan AUT-NT moves the door safely and almost silently. The drive fulfils all specifications with regard to low energy operation in accordance with DIN EN 18650 and DIN EN 16005. This means that the use of additional safety sensors to safeguard the system is not necessary for this application. In the event of a power failure, the door can be opened by hand and used safely even in the event of an emergency.

Perlan AUT-NT is suitable for wooden and glass doors and, in conjunction with the standard GEZE Perlan 140 roller-guided sliding fitting system, can be employed in just about any installation situation and with any type of door leaf.

Perlan AUT-NT can be adapted flexibly to suit leaf widths of 500 to 3000 mm either as a standard set or fitted on site.



System components

- 1 = Return pulley
- 2 = Perlan AUT-NT drive
- 3 = Toothed belt
- 4 = Driver for glass clamping plate
- 5 = Power supply
- 6 = Push button with control

APPLICATION RANGE

- Low-energy sliding door drive in accordance with DIN 18650 / EN 16005
- For automating internal doors of up to max. 80 kg
- For all 1- and multiple-leaf Perlan sliding doors
- Max. speed can be set up to 0.3 m/s
- Particularly suitable for automating sliding doors in living areas

TECHNICAL DATA

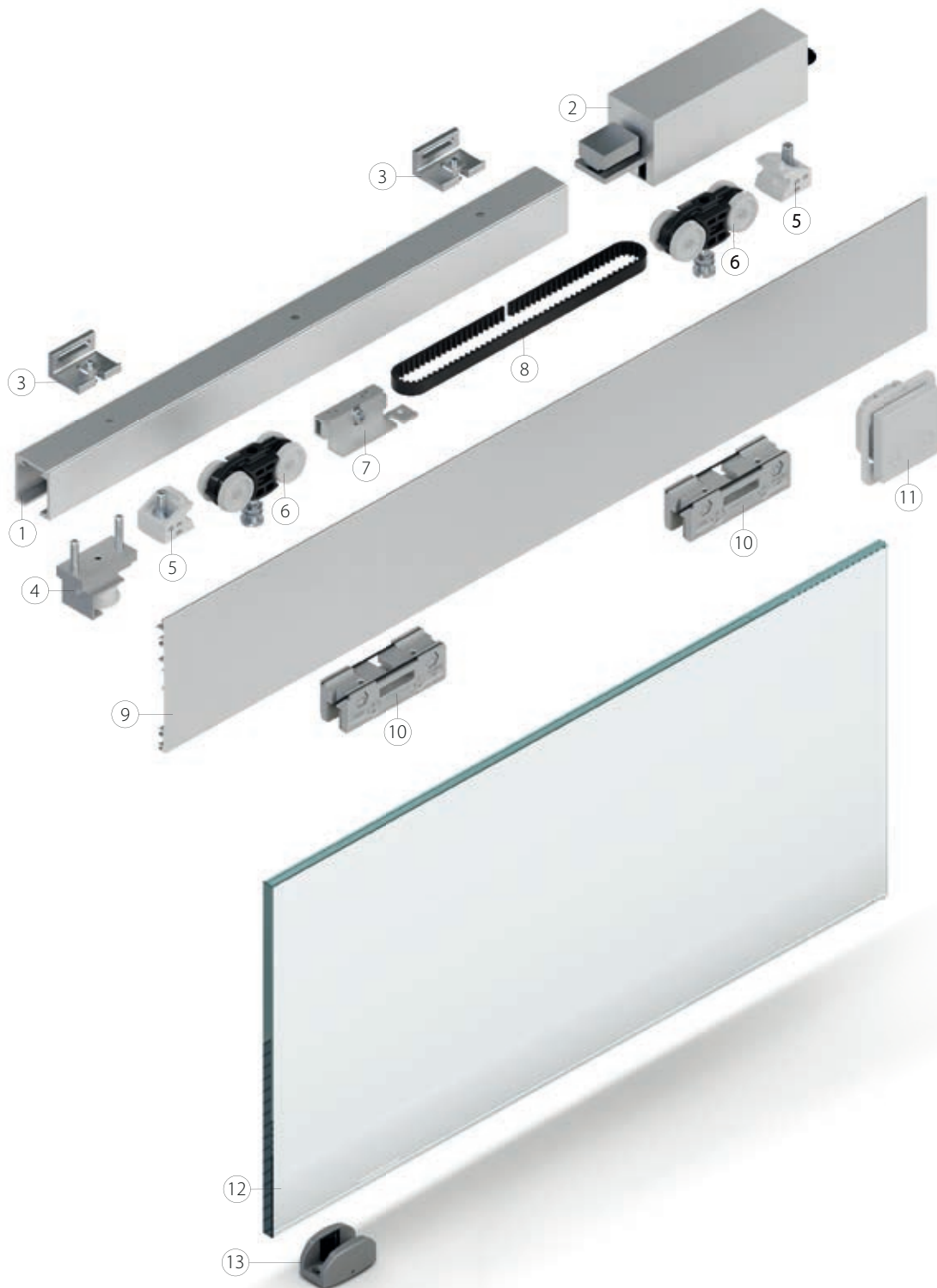
Product features	GEZE Perlan AUT-NT
Leaf material	Wood, plastic, metal, glass
System weight (max.)	80 kg
Number of leaves	1-leaf, 2-leaf
Type of installation	Wall installation, ceiling installation
Automated	•
Fixed panel	•
Product tested in accordance with	DIN 18650, EN 16005

• = yes

GEZE PERLAN AUT-NT

OVERVIEW OF COMPONENTS

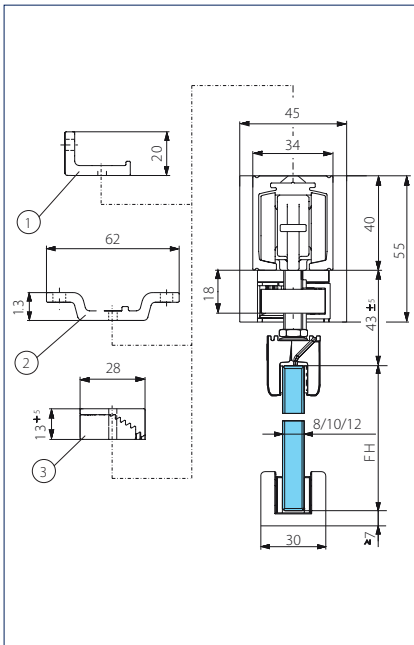
GEZE Perlan AUT-NT glass leaf wall mounting with glass clamping plate 30 mm and clip-on cover 100



- | | |
|---------------------------------------|--|
| 1 = Track Perlan 140 | 8 = Toothed belt |
| 2 = Drive Perlan AUT-NT | 9 = Clip-on cover 100 |
| 3 = Wall bracket | 10 = Glass clamping plate 30 mm |
| 4 = Return pulley | 11 = Push button with control |
| 5 = End stop Perlan 140 | 12 = Glass leaf (on site) |
| 6 = Roller carriage Perlan 140 | 13 = Floor guide for glass leaf (adjustable) |
| 7 = Driver Glass clamping plate 30 mm | |

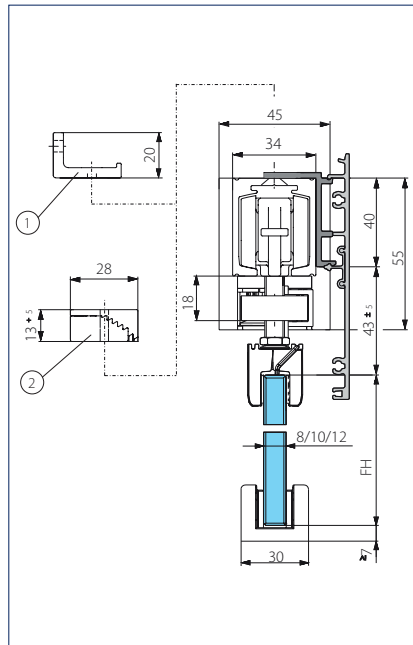
Fixture can be made with height compensation mechanism on the ceiling or with a bracket on the wall.

CROSS-SECTION DRAWINGS



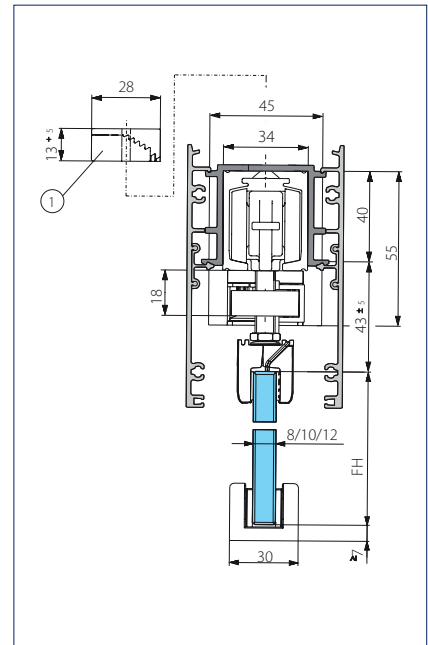
Wall / ceiling mounting glass

- FH = Leaf height
- 1 = Wall bracket
- 2 = Ceiling bracket
- 3 = Height compensation mechanism



Wall / ceiling mounting glass with clip-on cover 100, one-sided

- FH = Leaf height
- 1 = Wall bracket
- 2 = Ceiling bracket
- 3 = Height compensation mechanism



Wall / ceiling mounting glass with clip-on cover 100, on both sides

- FH = Leaf height
- 1 = Wall bracket
- 2 = Ceiling bracket
- 3 = Height compensation mechanism

ORDER INFORMATION

Description	Length	Version	ID no.
Perlan AUT-NT set for wooden leaves For automating 1 or 2-leaf Perlan sliding doors of up to 80 kg leaf weight. Set comprising: 1 x control unit with push button, 1 x power supply, 1 x drive unit with 2.5 m control cable, 1 x return pulley, 1 x driver for leaf, toothed belt 12.5 m. Additional driver required for 2-leaf doors			139924
Perlan AUT-NT set for glass leaves For automating 1 or 2-leaf Perlan sliding doors of up to 80 kg leaf weight. Set comprising: 1 x control unit with push button, 1 x power supply, 1 x drive unit with 2.5 m control cable, 1 x return pulley, 1 x driver for glass clamping plate 45 mm, toothed belt 12.5 m Additional driver required for 2-leaf doors			139925
Accessories			
GEZE plastic elbow switch Very flat design, IP rating IP 30, H=180 mm		white	114078
		stainless steel optic	114077
Driver for glass clamping plate 30 mm for Perlan AUT-NT + Duosync, including 2 x elongated suspension bolts			143295
Driver for glass clamping plate 45 mm for Perlan AUT-NT + Duosync, including 2 x elongated suspension bolts			134281
Driver wood for Perlan AUT-NT / Duosync, including 2 x elongated suspension bolts			134280
Perlan AUT-NT motor cable	100000 mm		141440
Perlan AUT-NT motor cable, bespoke			141452
Perlan AUT-NT toothed belt	78000 mm		141500
Perlan AUT-NT toothed belt, bespoke			141561
Power supply Perlan AUT-NT			139994

GEZE PERLAN 140 GGS

GEZE Perlan 140 GGS

The elegant design fitting for all-glass sliding systems

All-glass systems (GGS) are used on automatic and manual door systems with horizontally moving door leaves. Track fixing on wall and ceiling makes flexible use in all rooms possible. The height of the brushed stainless steel glass holders can be adjusted thanks to elongated holes. The GEZE Perlan 140 provides long-term smooth running thanks to two precision ball bearings per roller carriage, its track design and large carrier rollers. The interior, sealed ball bearings provide corrosion protection for slightly humid interiors. The track in anodised alloy material reduces abrasion and also guarantees increased corrosion protection. The elegant profile makes the Perlan 140 ideal for installation in visible areas. Since the distance between the leaf and the wall can be selected using the wall bracket, the door can be adjusted to the individual situation, e.g. for precise installation of the track where masonry is uneven. There is an adjustable floor guide for glass leaves available for different glass thicknesses.

The all-glass system fixture can also be used as an elegant suspension solution for wooden sliding leaves.



APPLICATION RANGE

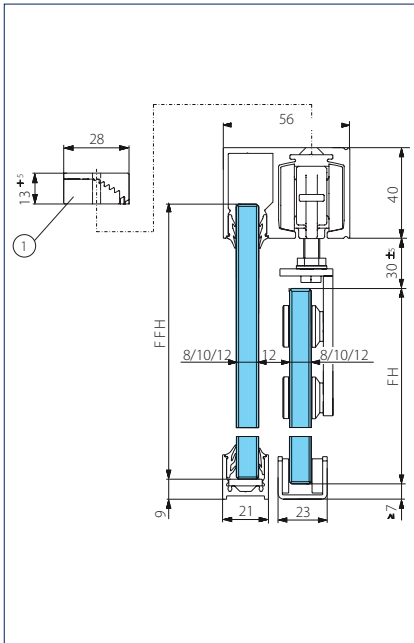
- For 1- and multiple-leaf sliding doors
- For living and office areas
- As a visible stainless steel design element

TECHNICAL DATA

Product features	GEZE Perlan 140 GGS
Leaf material	Wood, metal, glass
Leaf weight	max. 140 kg
Leaf weight with draw-in damper	max. 80 kg
Corrosion protection class	2

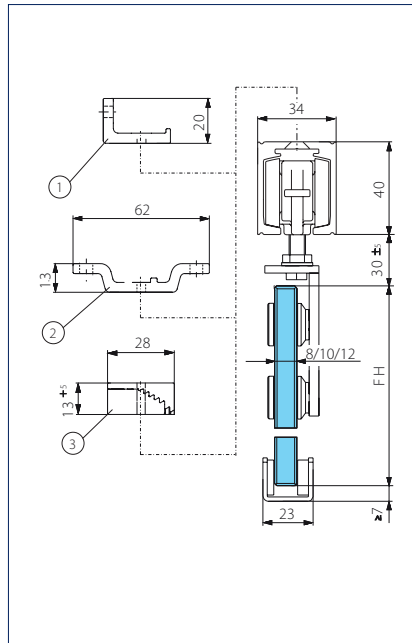
• = YES

CROSS-SECTION DRAWINGS



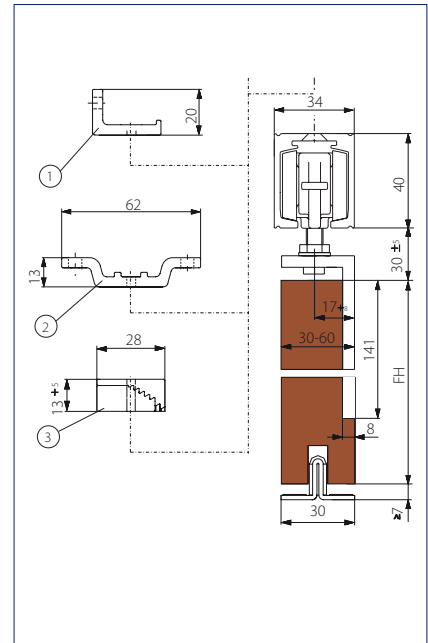
Fixed panel mounting Glass

FH = Leaf height
 FFH= Fixed panel height
 1 = Height compensation mechanism



Wall / ceiling mounting Glass

FH = Leaf height
 1 = Wall bracket
 2 = Ceiling bracket
 3 = Height compensation mechanism



Wall / ceiling mounting Wood

FH = Leaf height
 1 = Wall bracket
 2 = Ceiling bracket
 3 = Height compensation mechanism

Note

The wall recesses must be made accessible by a removable cover. The door leaf must be stopped in addition – except with the end stop – by a further leaf stop. The buffer must be attached in the middle of the door height.

ORDER INFORMATION

Description	Version	ID no.
All-glass system stainless steel single point fixing set 2 pieces, brushed, for wooden leaves and glass leaves 8-12 mm, including 4 Rampa sleeves (wood) and installation material for glass	stainless steel	127961
Accessories		
Floor guide for glass leaf (stainless steel) for 8, 10, 12 mm glass	stainless steel	134990

GEZE PERLAN 140 TELESCOPIC FOR 2-LEAF INTERNAL DOORS

GEZE Perlan 140 telescopic for 2-leaf internal doors

GEZE Perlan 140 telescopic is the elegant, space-saving roller-guided sliding system for extensive and spacious passages. High-quality bearings and a sturdy track guarantee a greater life span. The telescope set can easily be pre-assembled on the sliding elements. There is an extension set available for each further leaf. The GEZE installation tool or a sleeve tool is required for installation of the wire cable.



APPLICATION RANGE

- For wooden, plastic and glass leaves
- For 2-leaf systems of up to 140 kg per leaf
- A leaf width between at least 475 mm and 1700 mm per leaf
- All other product features correspond to the Perlan 140 sliding system

TECHNICAL DATA

Product features	GEZE Perlan 140 lower guides for sliding shutters
Leaf material	Wood, plastic, metal
Number of leaves	2-leaf
Leaf weight (max.)	140 kg
Type of installation	Wall installation, ceiling installation
Telescope	•

• = yes

GEZE PERLAN 140 TELESCOPIC FOR 2-LEAF INTERNAL DOORS

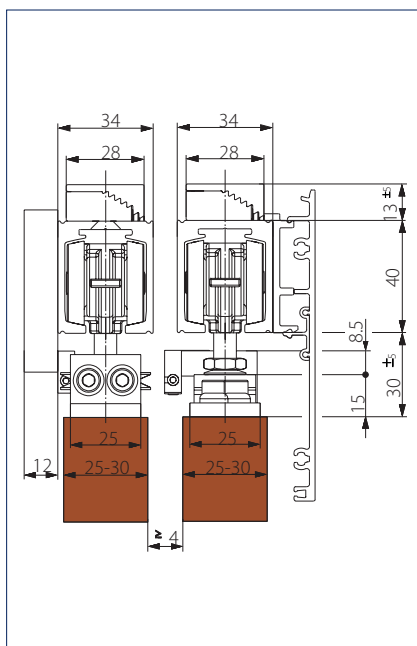
OVERVIEW OF COMPONENTS

GEZE Perlan 140 telescopic 2-leaf for internal door wooden leaves



- 1 = Track Perlan 140
- 2 = End stop Perlan 140
- 3 = Roller carriage Perlan 140
- 4 = Fitting for telescope 2-leaf
- 5 = Wall/ceiling adapter for telescope
- 6 = Wooden leaf (on site)
- 7 = Floor guide for wooden leaf

CROSS-SECTION DRAWING



Ceiling mounting wood with clip-on cover 100

ORDER INFORMATION

Description	ID no.
Perlan telescope set, 2-leaf for the telescopic movement of wooden leaves, comprising: complete telescopic mechanism with mounting material, wire cable 3.8 m, including 4 x suspension plates Perlan 140 KS	130891
Accessories	
Mounting tool for cable riveting for the riveting of the wire cable for the Perlan telescopic	134035

GEZE Perlan 140 Duosync

The roller design fitting for synchronised opening and closing of 2-leaf doors

Following installation of the practical Perlan 140 Duosync, 2-leaf sliding doors are moved synchronously, so that both leaves can be opened and closed conveniently with only one handle. This happens almost silently thanks to precision ball bearings and the toothed belt connection. The roller design fitting can be concealed by the GEZE clip-on cover system as required. It is available for both wooden and glass doors.



APPLICATION RANGE

- For wooden, plastic, glass and metal leaves up to a leaf weight of 140 kg
- For large opening widths of up to 2400 mm, special widths on request
- For leaf widths starting from 500 mm
- Compatible with Perlan 140 accessories

TECHNICAL DATA

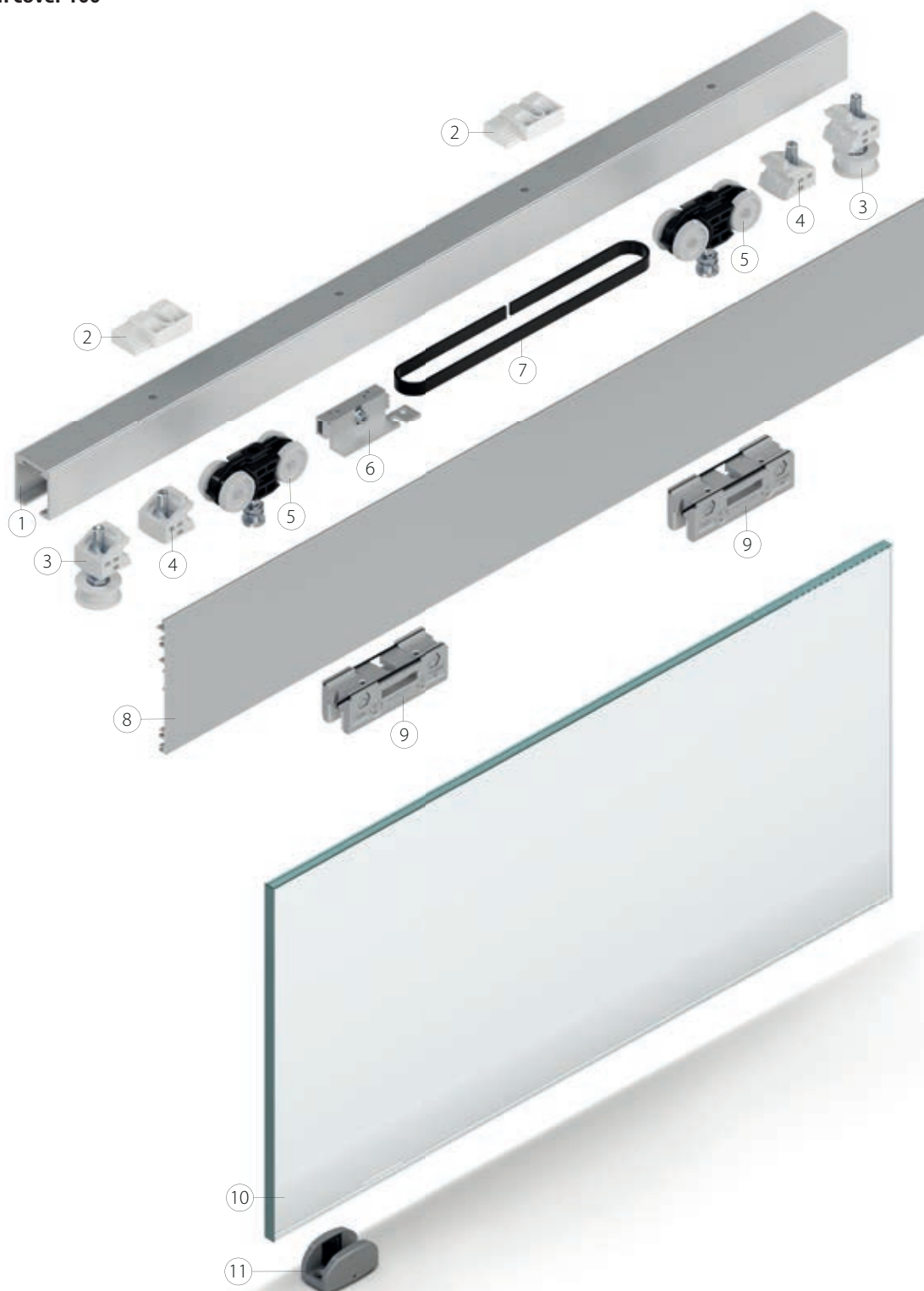
Product features	GEZE Perlan 140 Duosync
Leaf material	Wood, plastic, metal, glass
Leaf weight (max.)	140 kg
Opening width (max.)	2400 mm
Type of installation	Wall installation, ceiling installation
Fixed panel	•

• = yes

GEZE PERLAN 140 DUOSYNC

OVERVIEW OF COMPONENTS

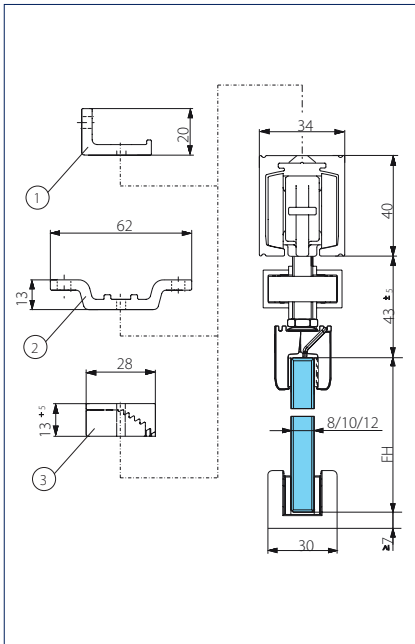
GEZE Perlan 140 Duosync glass leaf ceiling mounting with height compensation mechanism, glass clamping plate 30 mm and clip-on cover 100



- 1 = Track Perlan 140
- 2 = Height compensation mechanism
- 3 = Return pulley Perlan 140
- 4 = End stop Perlan 140
- 5 = Perlan roller carriages 140
- 6 = Driver Glass clamping plate 30 mm

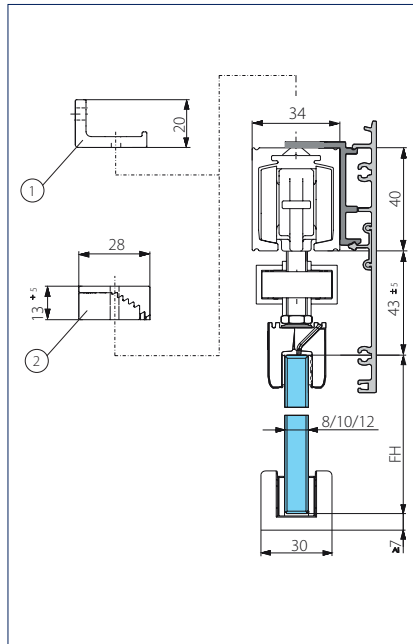
- 7 = Toothed belt
- 8 = Clip-on cover 100
- 9 = Glass clamping plate 30 mm
- 10 = Glass leaf (on site)
- 11 = Floor guide for glass leaf (adjustable)

CROSS-SECTION DRAWINGS



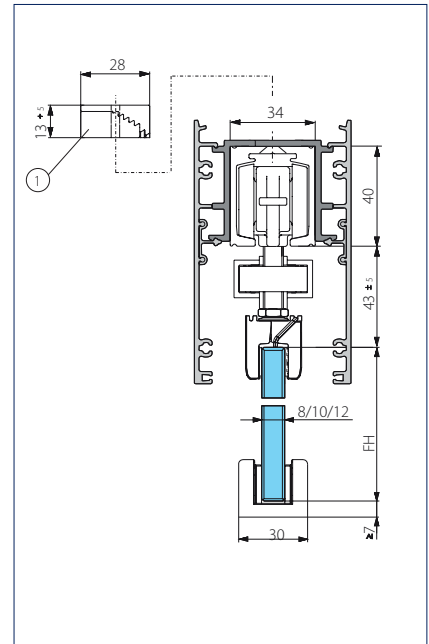
Wall / ceiling mounting glass with glass clamping plate 30

- FH = Leaf height
- 1 = Wall bracket
- 2 = Ceiling bracket
- 3 = Height compensation mechanism



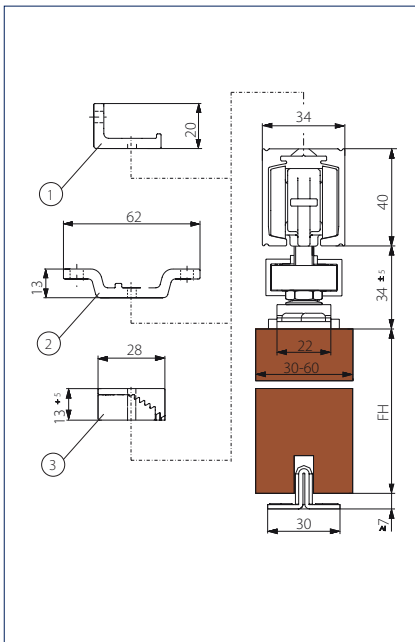
Wall / ceiling mounting glass with glass clamping plate 30 and clip-on cover 100 one-sided

- FH = Leaf height
- 1 = Wall bracket
- 2 = Height compensation mechanism



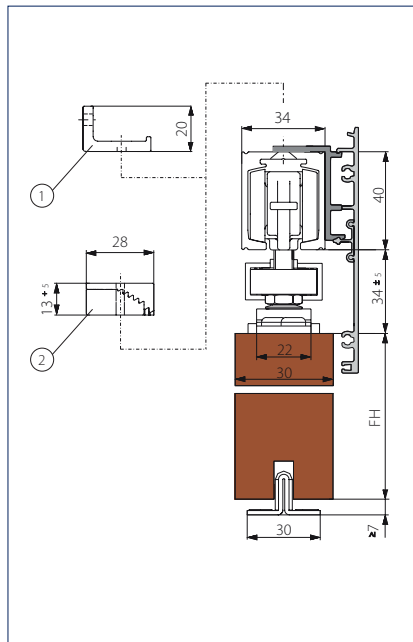
Wall / ceiling mounting glass with glass clamping plate 30 and clip-on cover 100 on both sides

- FH = Leaf height
- 1 = Height compensation mechanism



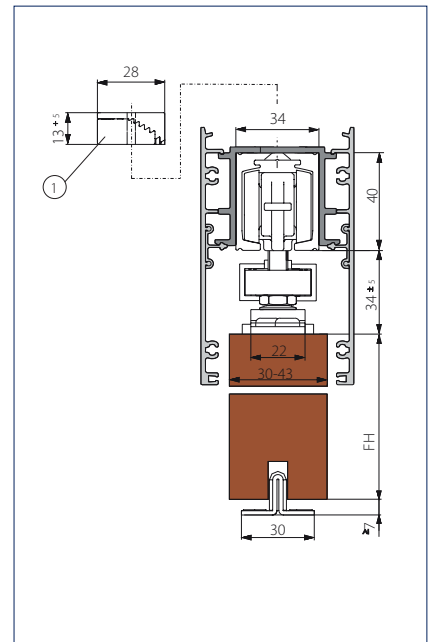
Wall / ceiling mounting wood

- FH = Leaf height
- 1 = Wall bracket
- 2 = Ceiling bracket
- 3 = Height compensation mechanism



Wall / ceiling mounting wood with clip-on cover 100 one-sided

- FH = Leaf height
- 1 = Wall bracket
- 2 = Height compensation mechanism



Wall / ceiling mounting wood with clip-on cover 100 on both sides

- FH = Leaf height
- 1 = Height compensation mechanism

ORDER INFORMATION

Description	ID no.
Perlan Duosync set for wooden leaves for the synchronisation of double-leaf doors of up to 140 kg per leaf, comprising: 2 x return pulley, 2 x driver for wood, toothed belt 12.5 m, mounting material	139206
Perlan Duosync set for glass leaves for the synchronisation of double-leaf doors of up to 140 kg per leaf, comprising: 2 x return pulley, 2 x driver, glass clamping plate 45 mm, toothed belt 12.5 m, mounting material	139207
Accessories	
Driver for glass clamping plate 30 mm for Perlan AUT-NT + Duosync, including 2 x elongated suspension bolts	143295
Driver for glass clamping plate 45 mm for Perlan AUT-NT + Duosync, including 2 x elongated suspension bolts	134281
Driver wood for Perlan AUT-NT / Duosync, including 2 x elongated suspension bolts	134280

GEZE Perlan 140 clip-on cover 100

The clip-on cover 100 with a total height of 111 mm makes the visually attractive covering of the fitting technology below possible. Attachment is simple and safe using plastic clips which guarantee the cover panel is held reliably. Different distances to the track are possible for glass and wooden doors. For glass doors, the clip-on cover is clipped directly into the track, for wooden doors additional spacer brackets which are screwed to the track are used.

Since the clip-on cover manages to keep the gap seen from below very small for glass doors, it can also be used for thick wooden doors.



APPLICATION RANGE

- For covering GEZE sliding fittings Perlan 140
- For wall and ceiling installation
- For internal application
- For wooden, plastic, glass and metal leaves

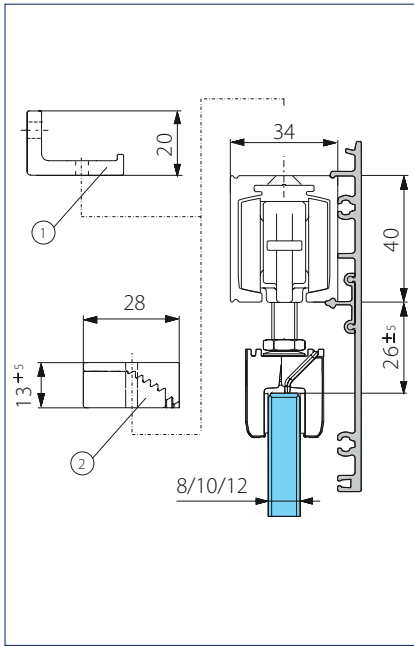
TECHNICAL DATA

Product features	GEZE Perlan 140 clip-on cover 100
Leaf material	Wood, plastic, metal, glass
Type of installation	Wall installation, ceiling installation
Telescope	•
Automated	•
Fixed panel	•

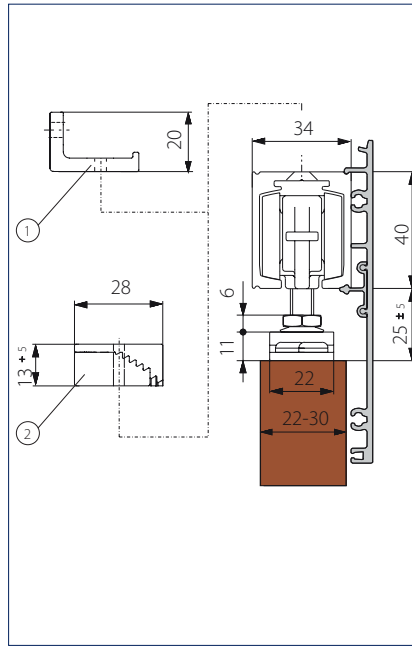
• = yes

GEZE PERLAN 140 CLIP-ON COVER 100

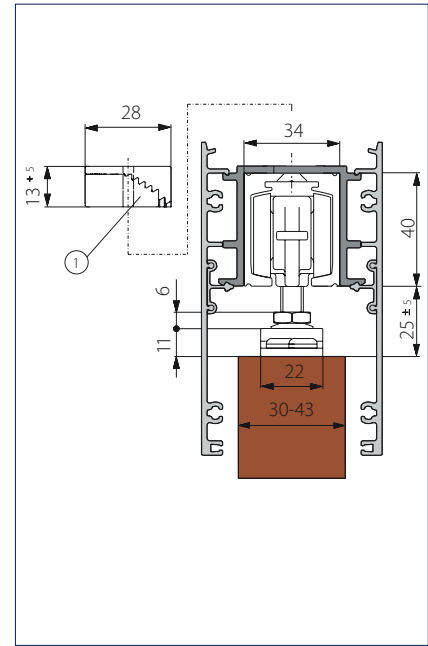
CROSS-SECTION DRAWINGS



Wall / ceiling mounting glass with glass clamping plate 30 and clip-on cover 100
 FH = Leaf height
 1 = Wall bracket
 2 = Height compensation mechanism



Wall / ceiling mounting glass with clip-on cover 100
 1 = Wall bracket
 2 = Height compensation mechanism



Wall / ceiling mounting wood with spacer bracket and clip-on cover 100
 1 = Wall bracket
 2 = Height compensation mechanism

ORDER INFORMATION

Description	Length	Version	ID no.
Complete clip-on cover set 100 for wall and ceiling mounting, continuous cover, bespoke			138098
Accessories			
Clip-on cover 100 profile for wall and ceiling mounting, continuous cover	1650 mm	EV1	137602
	2050 mm	EV1	137603
	2450 mm	EV1	137604
	6230 mm	EV1	137606
	1650 mm	stainless steel optic	137608
	2050 mm	stainless steel optic	137609
	2450 mm	stainless steel optic	137611
	6060 mm	stainless steel optic	137613
Clip-on cover 100 profile for wall and ceiling mounting, continuous cover, bespoke, choice of finishes			137614
End cover set clip-on cover 100 2 pcs., narrow version, for use without spacer bracket		EV1	137865
		stainless steel optic	137867
		acc. to RAL	137869
End cover set clip-on cover 100 2 pcs., wide version, for use with spacer bracket		EV1	137864
		stainless steel optic	137866
		acc. to RAL	137868
Clip-on cover set 100 spacer bracket 6 pcs., enlarges the distance at the side of the clip-on cover by 7.5 mm at each side. For use with Perlan AUT-NT as well as for wing thicknesses from 30 mm			137754
Clip-on cover set 100 plastic clip 10 pcs., for the direct attachment of the clip-on cover 100 on the track or the spacer brackets			137863
Height compensation mechanism/ceiling spacer set, with variable adjustment 6 pcs., height compensation mechanism with variable adjustment from 13 mm to 18 mm. For use for ceiling mounting using clip-on cover 100/145 as well as for general use on uneven ceilings			138099

GEZE PERLAN 140 WITH CONCEALED WALL BRACKET

GEZE Perlan 140 concealed wall bracket and spacer profile

The concealed wall bracket is the ideal solution for fixing a sliding door to a wall without any visible fixtures. It is used in combination with the glass clamping plate or the concealed suspension profile. The bracket is available in two different distances: for glass doors which are flush to the wall and for wooden doors with a larger distance to the wall (11 mm). The wooden door variant is also suitable for external use. If necessary, the wall can be protected from water penetration using a rubber seal. For all variants, GEZE supplies an end cover which can either be glued in place (internal use) or screwed in place (external use). The brackets and spacer profiles are available in all standard track lengths, but can also be delivered in the length 6 m or cut to bespoke lengths.

GEZE also supplies spacer profiles for the concealed wall bracket to create an even greater distance to the wall. This is particularly necessary when the door is placed in front of the frame or a tiled section. The spacer profile for the concealed wall bracket is screwed to the wall and provides a further 10 or 20 mm distance.



Wall bracket 37 mm, wall bracket 43 mm, spacer profile for wall clearance (from the left)

APPLICATION RANGE

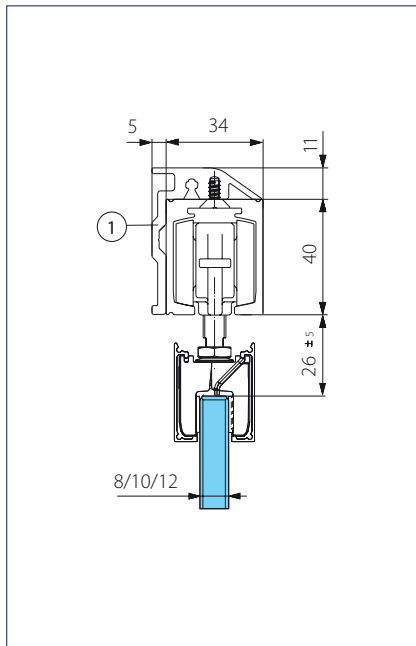
- For wooden, plastic, glass and metal leaves up to a leaf weight of 140 kg
- For wall mounting in visible areas
- Installation using a frame or tiled section

TECHNICAL DATA

Product features	GEZE Perlan 140 spacer profile for concealed wall bracket
Door material	Wood, plastic, metal, glass, sliding shutters
Number of leaves	1-leaf, 2-leaf
Type of installation	Wall installation

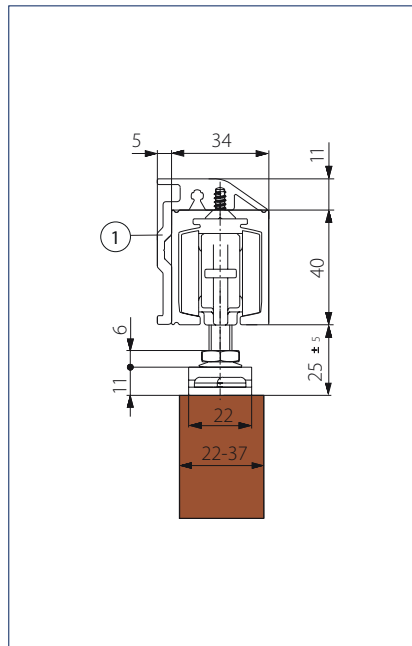
GEZE PERLAN 140 CONCEALED WALL BRACKET

CROSS-SECTION DRAWINGS



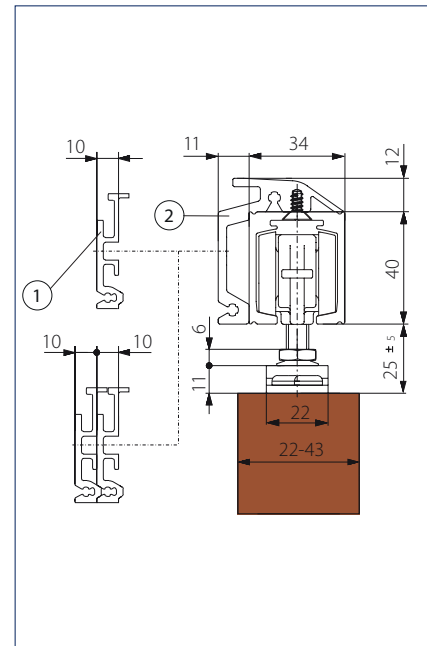
Wall mounting glass with concealed wall bracket and glass clamping plate 30, continuous cover

1 = Concealed wall bracket up to 37 mm leaf thickness



Wall mounting wood with concealed wall bracket

1 = Concealed wall bracket up to 37 mm leaf thickness



Wall mounting wood with concealed wall bracket

1 = Spacer profile for wall clearance
2 = Concealed wall bracket up to 43 mm leaf thickness

GEZE PERLAN 140 WITH CONCEALED WALL BRACKET

ORDER INFORMATION

Description	Length	Version	ID no.
Wall bracket, concealed, Perlan for use up to 37 mm leaf thickness	1650 mm	EV1	130419
	2050 mm	EV1	130418
	2450 mm	EV1	130417
	3250 mm	EV1	130415
	6000 mm	EV1	130414
	1650 mm	stainless steel optic	130466
	2050 mm	stainless steel optic	130465
	2450 mm	stainless steel optic	130464
Wall bracket, concealed, Perlan bespoke, for use up to 37 mm leaf thickness		EV1	130462
		stainless steel optic	130468
Wall bracket, concealed, Perlan for use up to 43 mm leaf thickness	1650 mm	EV1	130440
	2050 mm	EV1	130439
	2450 mm	EV1	130438
	3250 mm	EV1	130436
	6000 mm	EV1	130435
	1650 mm	stainless steel optic	130447
	2050 mm	stainless steel optic	130446
	2450 mm	stainless steel optic	130445
Wall bracket, concealed, Perlan bespoke, for use up to 43 mm leaf thickness		EV1	130443
		stainless steel optic	130449
Spacer profile 10 mm for concealed wall bracket Perlan 43 mm for use with „concealed wall bracket up to 43 mm“, stackable up to 20 mm space	1650 mm	EV1	136679
	2050 mm	EV1	136680
	2450 mm	EV1	136711
	6000 mm	EV1	136712
	1650 mm	stainless steel optic	136713
	2050 mm	stainless steel optic	136714
	2450 mm	stainless steel optic	136715
	6000 mm	stainless steel optic	136716
Spacer profile 10 mm for concealed wall bracket Perlan 43 mm bespoke			136717
Accessories			
Seal wall connection for use with Perlan „concealed wall bracket up to 43 mm“ or „basic profile wall installation external use“	200000 mm	black	127311
Seal wall connection bespoke, for use with Perlan „concealed wall bracket up to 43 mm“ or „basic profile wall installation external use“		black	127731
End cover set for concealed wall brackets up to 37 mm (2 pcs)		EV1	130432
		stainless steel optic	130433
End cover set for concealed wall brackets up to 43 mm (2 pcs)		EV1	130141
		stainless steel optic	130142
Set of countersunk screws for concealed wall bracket, Perlan 18 pcs., for fixing Perlan track (countersunk version) to concealed wall bracket			138708
Set of countersunk screws for concealed wall bracket, Perlan 100 pcs., for fixing Perlan track (countersunk version) to concealed wall bracket			132229

GEZE SLIDING SHUTTERS AND AUTOMATION



Kado Karim luxury residential complex, Jurmala, Latvia (photo: Aleksandrs Kendenkovs)



GEZE Perlan 140 KS

The sliding fitting for maximum use

The GEZE Perlan 140 KS is based on the tried-and-tested sliding fitting system Perlan 140. It is a high-quality, corrosion-resistant product version for door leaves of up to 140 kg, and fulfils the standard of the highest corrosion protection class in accordance with DIN EN 1670. GEZE thus offers a sliding fitting for external use, too, which can be used even under extreme environmental conditions such as sea air or chemical environment. Like the standard system, Perlan KS can be combined with the Perlan accessories range. The sliding fitting meets all the requirements of the valid standards with regard to statistical loads, suitability for use, operating force and corrosion resistance.



Kado Karim luxury residential complex, Jurmala, Latvia (photo: Aleksandrs Kendenkovs)

APPLICATION RANGE

- Particularly suited for automatic and manual shading systems for external use
- Can be combined with Perlan AUT (heed corrosion protection)
- For other applications (e.g. in swimming pools) where increased corrosion protection is required in the fitting
- All other product features correspond to the Perlan 140 roller-guided sliding system

TECHNICAL DATA

Product features	GEZE Perlan 140 KS
Leaf material	Wood, plastic, metal
Leaf weight (max.)	140 kg
Number of leaves	1-leaf, 2-leaf
Corrosion protection class	4
Type of installation	Wall installation, ceiling installation
Automated	•
Fixed panel	•

• = yes

Classification in accordance with DIN EN 1527

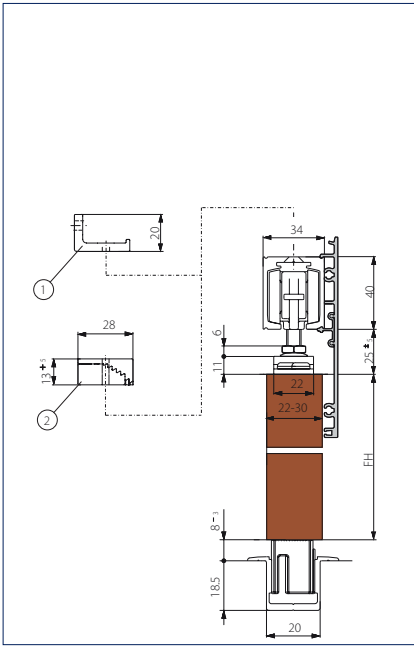
GEZE Perlan 140 KS Fitting								
Usage category	Permanent functionality	Door weight	Fire resistance	Safety	Corrosion resistance	Protection	Door type	Initial friction
-	6	3	-	1	4	-	1	3

The description of the classes can be found at the end of the catalogue.

Standard dimensions in mm

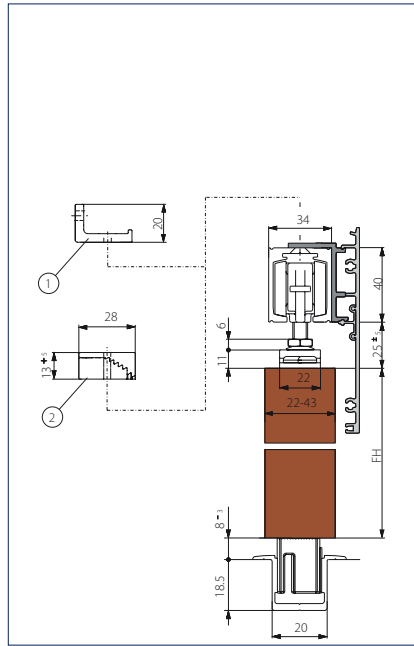
Leaf width (FB)	Track length (L)	Distance between drill holes (t)	Number of drill holes (n)	Distance from first drill hole (centre) to end of track (y)
500 - 840	1650	350	5	125
500 - 1040	2050	350	6	150
500 - 1240	2450	350	7	175
500 - 1440	2850	350	9	25
500 - 1640	3250	350	10	50
Stock length (LL)	6000	350	18	25

CROSS-SECTION DRAWINGS



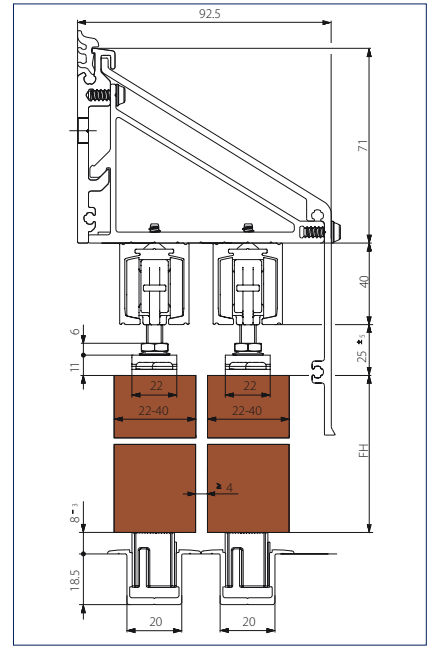
Wall / ceiling mounting glass with clip-on cover 100 one-sided

- FH = Leaf height
 1 = Wall bracket
 2 = Height compensation mechanism



Wall / ceiling mounting wood with spacer bracket and clip-on cover 100

- FH = Leaf height
 1 = Wall bracket
 2 = Height compensation mechanism



Wall / ceiling mounting wood with Perlan wall bracket and weather canopy

- FH = Leaf height

ORDER INFORMATION

Description	Leaf width from - to	Length	Version	ID no.
Accessory set basic components Perlan 140 KS corrosion-protected for external use, for ceiling mounting, comprising: 2 x roller carriage, 2 x end stop, 2 x suspension plate, 1 x hold-open spring, 2 x suspension bolt, 2 x end cover	500 mm 1640 mm			119510
Accessory set basic components Perlan 140 KS corrosion-protected for external use, for wall mounting, comprising: 2 x roller carriage, 2 x end stop, 2 x suspension plate, 1 x hold-open spring, 2 x suspension bolt, 2 x end cover, incl. standard wall bracket (length = can be used up to track length)	500 mm 840 mm	1650 mm		119507
	500 mm 1240 mm	2450 mm		119508
	500 mm 1640 mm	3250 mm		119509
Accessories				
Suspension plate Perlan 140 KS corrosion-protected, for external use and in aggressive environments, without attachment material			stainless steel	117355
Wall bracket Perlan 140 KS corrosion-protected, for external use and in aggressive environments, with sliding block and fixing screw for track				119319
Roller carriage Perlan 140 KS without suspension bolt corrosion-protected, for external use and in aggressive environments, up to 140 kg leaf weight				117354
Roller carriage Perlan 140 KS with suspension bolt corrosion-protected, for external use and in aggressive environments, up to 140 kg leaf weight				120087
Suspension bolt Perlan 140 KS with combination nut			stainless steel	117357



Roller carriage



Suspension plate



Suspension bolt

GEZE Perlan 140 telescopic for 3-leaf external applications

GEZE Perlan 140 telescopic is the elegant, space-saving roller-guided sliding system for extensive and spacious passages. It offers reliable protection from sunlight in combination with sliding shutters. High-quality bearings and a sturdy track guarantee a greater life span. The telescope set can easily be pre-assembled on the sliding elements. Perlan 140 telescopic is available as a complete accessory set for a 2-leaf system. This contains all parts for the telescopic function. There is an extension set available for each further leaf. The GEZE installation tool or a sleeve tool is required for installation of the wire cable.



APPLICATION RANGE

- For wooden, plastic and glass leaves
- For 2-leaf or 3-leaf systems of up to 140 kg per leaf
- Leaf width between at least 475 mm and 1700 mm per leaf
- All other product features correspond to the Perlan 140 roller-guided sliding system

TECHNICAL DATA

Product features	GEZE Perlan 140 lower guides for sliding shutters
Leaf material	Wood, plastic, metal
Number of leaves	2-leaf, 3-leaf
Leaf weight (max.)	140 kg
Type of installation	Wall installation, ceiling installation
Telescope	•

• = yes

GEZE PERLAN 140 TELESCOPIC 3-LEAF

OVERVIEW OF COMPONENTS

GEZE Perlan 140 telescopic for sliding shutters with three leaves



- 1 = Track Perlan 140
- 2 = End stop Perlan 140
- 3 = Roller carriage Perlan 140
- 4 = Fitting extension for telescope 3-leaf

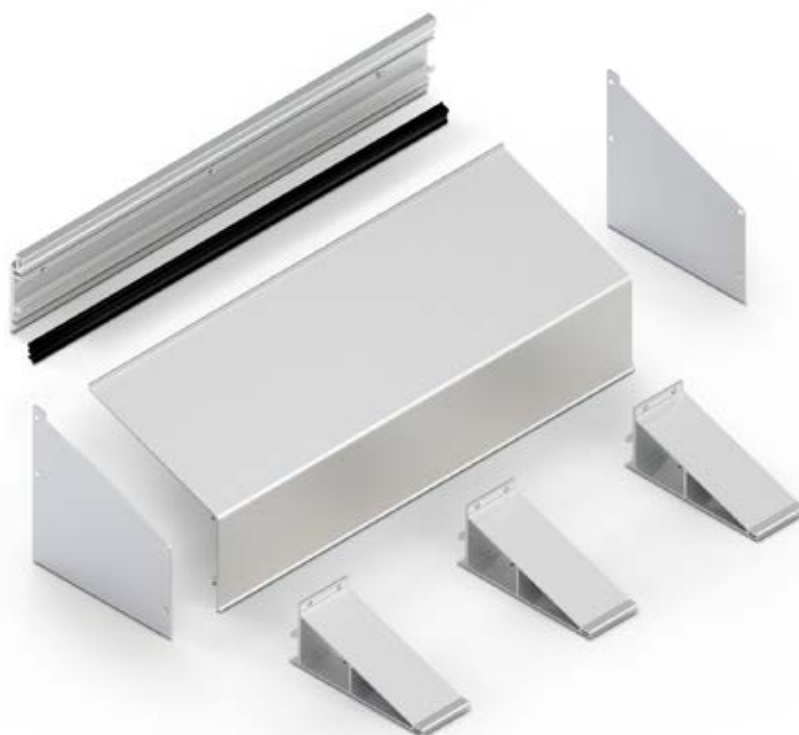
- 5 = Fitting for telescope 2-leaf
- 6 = Wall/ceiling adapter for telescope
- 7 = Wooden leaf (on site)
- 8 = Clearance-free floor guide for wooden leaves

GEZE PERLAN 140 WALL BRACKET WITH WEATHER CANOPY

GEZE Perlan 140 wall bracket with weather canopy

The GEZE Perlan 140 wall bracket with weather canopy is used in external areas to mount sliding shutters. It supports up to three Perlan 140 tracks safely and reliably. Brackets are available in three sizes for this. The maximum load bearing capacity is 420 kg/m. This means a maximum leaf weight of 140 kg with three parallel sliding shutters. All parts are made of corrosion-protected material and are suitable for external use. The tracks can be pre-assembled with the brackets completely on the ground, preventing tiring overhead work to a major extent. The system is then simply hooked into the previously installed wall profile and secured using screws. The wall bracket with weather canopy can be provided as a bespoke set on request. Alternatively, all profiles and accessory parts can be purchased individually.

The cover profile is available with a silver-coloured or stainless steel optic finish, or can be delivered in all RAL colours upon request.



APPLICATION RANGE

- For sliding shutters in external areas
- For 1 to 3 Perlan 140 tracks
- For 1 to 3 parallel sliding elements with up to 140 kg leaf weight

TECHNICAL DATA

Product features	GEZE Perlan 140 wall bracket with weather canopy
Leaf material	Wood, plastic, metal, glass
Number of leaves	1-leaf, 2-leaf, 3-leaf
Type of installation	Wall installation
Automated	•

• = yes

GEZE PERLAN 140 WALL BRACKET WITH WEATHER CANOPY

OVERVIEW OF COMPONENTS

GEZE Perlan 140 wall bracket with weather canopy

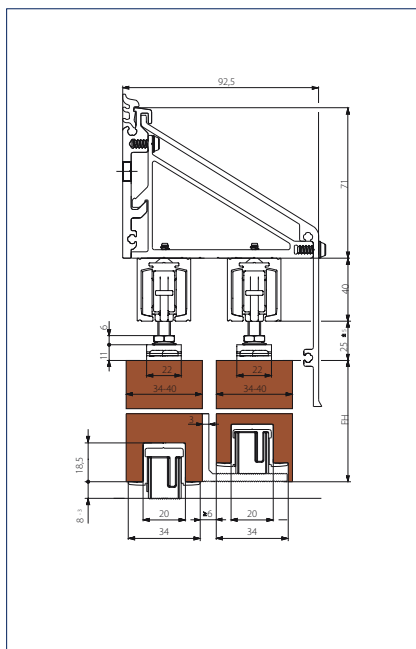


- 1 = Wall attachment profile Perlan 140
- 2 = Seal wall connection
- 3 = Cover profile for wall installation Perlan 140
- 4 = End cover for wall installation Perlan 140
- 5 = Fixing bracket for wall installation Perlan 140
- 6 = Track Perlan 140

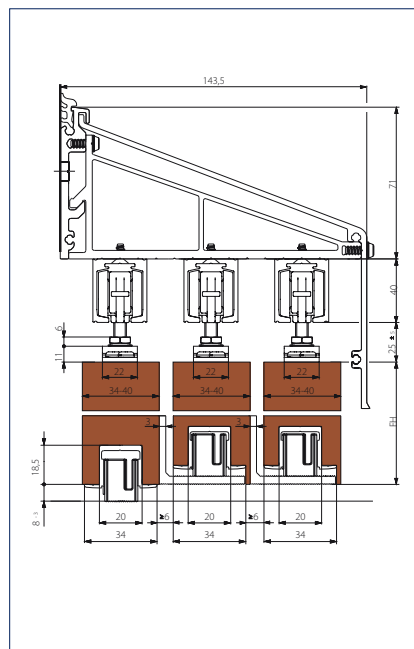
- 7 = End stop Perlan 140
- 8 = Roller carriage Perlan 140
- 9 = Suspension plate Perlan 140
- 10 = Wooden leaf (on site)
- 11 = Clearance-free floor guide for wooden leaf

GEZE PERLAN 140 WALL BRACKET WITH WEATHER CANOPY

CROSS-SECTION DRAWINGS



Wall bracket and weather canopy, wood, short variant, example 2-leaf



Wall bracket weather canopy, wood, medium variant example 3-leaf

ORDER INFORMATION

Description	Length	Version	ID no.
Short cover	6000 mm	EV1	127264
Short cover		EV1	127265
bespoke		acc. to RAL	127674
Medium cover	6000 mm	EV1	127266
Medium cover		acc. to RAL	127675
bespoke			
Long cover	6000 mm	EV1	127268
Long cover		EV1	127269
bespoke		acc. to RAL	127676
Wall attachment profile, perforated	6000 mm	EV1	127259
Wall attachment profile, perforated		EV1	127260
bespoke		acc. to RAL	127673
Fixing bracket set, short with fixing screws for ceiling and cover profile		EV1	127320
Fixing bracket set, long with fixing screws for ceiling and cover profile		EV1	127323
Fixing bracket set, medium with fixing screws for ceiling and cover profile		EV1	127322
Wall installation set Perlan 140 bespoke			127582
Accessories			
Seal wall connection for use with Perlan „concealed wall bracket up to 43 mm“ or „basic profile wall installation external use“	200000 mm	black	127311
Seal wall connection bespoke, for use with Perlan „concealed wall bracket up to 43 mm“ or „basic profile wall installation external use“		black	127731
End cover set, short 2 pcs., with fixing screws		EV1	127313
		acc. to RAL	127317
End cover set, long 2 pcs., with fixing screws		EV1	127316
		acc. to RAL	127319
End cover set, medium 2 pcs., with fixing screws		EV1	127314
		acc. to RAL	127318

Product information

Product information for sliding door systems

In compliance with the liability the manufacturer has for its products under the German product liability law (§ 4 Prod-HG), the following information regarding sliding door systems must be observed. Failure to comply releases the manufacturer from his statutory liability.

Product information and intended use

Sliding door fittings in this definition are fittings for sliding leaves and similar sliding elements, called "objects" below, that are usually not moved faster than at walking speed. Sliding fittings are used at perpendicularly mounted leaves made of wood, plastic, glass, aluminium or steel and their corresponding material combinations. A floor guide is provided at the lower horizontal sides of the leaves. Products in special versions must be specified for wet rooms, for direct exposure to the weather, in cross-winds, near the sea or for use in aggressive, corrosive environments. Intended use includes proper installation in particular. The fitting has to be sufficiently stable in all positions. Functioning of the fitting must not be impaired or modified by installation. Buffers have to be used to limit the range of movement.

Misuse

Misuse – meaning any use that is not the proper use – of sliding door fittings exists in particular when

- the fittings are used with a higher load than the maximum load bearing capacity that is specified in the catalogue and in the remaining product documentation,
- improper installation or insufficient fastening has taken place,
- excessively high or low ambient temperature prevail,
- particularly aggressive media can act on them,
- inappropriately rough bump and fall loads act on them,
- the position of the track deviates too strongly from the horizontal,
- foreign material can penetrate the track,
- the carrier rollers are used with excessive speed,
- modifications were carried out that were not agreed with the manufacturer,
- obstructions are inserted into the opening area or between the leaves or the object, thus preventing its proper use,
- additional loads act on leaves or the object,
- there is an intervention between the leaf and the masking frame when the leaf is closed or when closing or if a person or a body part is located within this area when the leaf is closed.

Product performance

If the product performance is not specified in concrete forms in our catalogues, brochures, technical specifications and other product instructions, the requirements placed on our fittings have to be agreed with us. Our regulations dealing with the assembly of the fittings are binding.

Product care and maintenance

Safety-relevant fitting parts must be checked regularly for firm seating and wear & tear. Depending on the requirements, the fixing screws are to be tightened or replaced respectively. In addition, the following service and maintenance work has to be carried out at least once a year:

- Check the functionality of all the moving parts.
- Use only such detergents that do not impair the anti-corrosion protection of the fittings.
- Faulty fittings must be replaced.
- Adjusting work at the fittings as well as the exchange of the fittings must be carried out by a specialist company.

Duties to provide information and instructions

The following resources are available to help planners, specialist suppliers, installers, builders and users fulfil their duties of information and instruction:

- Catalogues, brochures
- Tender texts, bidding documents
- Installation and mounting instructions, installation drawings

In order to ensure the correct use, to ensure the function and the maintenance and care of the fittings

- architects and planners are advised to order and observe the necessary product information
- specialist suppliers are advised to observe the product information and advice in the price lists and, in particular, to order all relevant instructions, which are to be passed on to the fabrication companies
- fabrication companies are advised to observe all the product information and to pass it on to the client and user.

Basic safety information Perlan AUT

Fundamental dangers

Dangerous voltages: The Perlan AUT is operated with a dangerous voltage. Installation, disassembly and connection work of the operating button and the drive may only be carried out by authorised persons using the designated tools. Before beginning any work the power supply is to be switched off and to be secured against unauthorised restarting.

Power connections

The Perlan AUT may only be connected according to the details in the technical data sheets.
It must be possible to switch off all the power connections on site.

Safety measures

- Location of the installation instructions: The installation instructions are to be stored by the responsible installation engineer or maintenance personnel. These are responsible for the correct installation as well as maintenance of the system.
- Removal of protective devices: No protective device may be disassembled or put out of action. The only exception is formed by the authorised service personnel. Normal operation after servicing work may not be carried out until after all the protective devices have been mounted and checked.

Spare parts to be used

Solely original GEZE spare parts may be used for maintenance and repair work.

Classification in accordance with DIN EN 1527

Usage category (1st digit)

No usage category specified

Suitable for permanent operation (2nd digit)

- Class 1 = 5,000 cycles
- Class 2 = 10,000 cycles
- Class 3 = 25,000 cycles
- Class 4 = 50,000 cycles
- Class 5 = 75,000 cycles
- Class 6 = 100,000 cycles

Door weight (3rd digit)

- Class 1 = Door with weight up to 50 kg
- Class 2 = Door with weight from 51 kg to 100 kg
- Class 3 = Door with weight from 101 kg to 330 kg
- Class 4 = Door with weight over 330 kg

Fire resistance (4th digit)

No class is specified for these products.

Safety (5th digit)

All design systems for sliding doors and folding doors which comply with this standard must be classified as Class 1 in terms of safety.

Corrosion resistance (6th digit)

Corresponding to the 5 classes specified in EN 1670, the products are divided into the classes 1-4. Class 0 is for untested products.

Protection (7th digit)

No class is specified for the protection

Door type (8th digit)

- Class 1 = Sliding door
- Class 2 = Folding door (2-leaf)
- Class 3 = Multi-leaf folding door

Maximum permissible value for initial friction (9th digit)

There are three classes:

Door weight	up to 50 kg	51-100 kg	101-330 kg	> 330 kg
Class 1	50 N	80 N	100 N	5 % of the door weight
Class 2	40 N	60 N	5 % of the door weight	4 % of the door weight
Class 3	30 N	40 N	4 % of the door weight	3 % of the door weight

We are GEZE.

For liveable buildings

GEZE stands for innovation, high quality and comprehensive support of building technologies. From the initial idea, planning and operational implementation with standard products to customised system solutions and individual service and maintenance plans. We offer an extensive product range of door, window and safety technology products and are a major driving force behind the digital networking of building automation.

GEZE GmbH

Reinhold-Vöster-Straße 21 – 29

71229 Leonberg

Deutschland

Telefon: +49 7152 203 0

Telefax: +49 7152 203 310

E-Mail: info.de@geze.com

www.geze.com